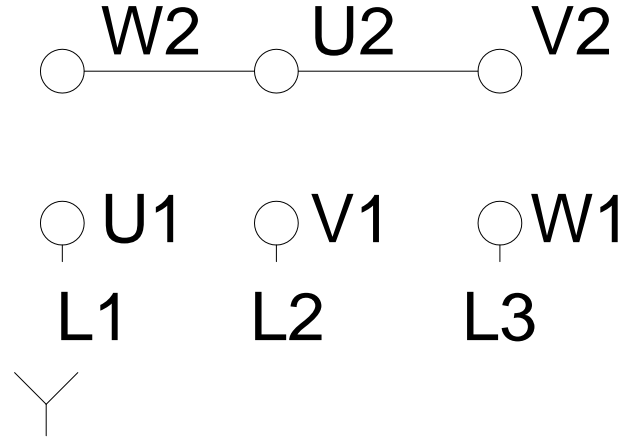
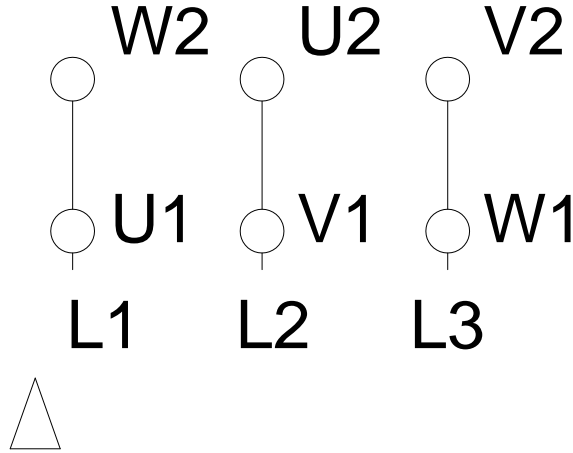


1 2 3 4 5 6 7 8

# LOW VOLTAGE

# HIGH VOLTAGE

A  
B  
C  
D  
E  
F



Notes: Downloaded from <a href="http://dealerselectric.com">http://dealerselectric.com</a> Generated for Model #26018EP3Y355M/L-W22		
Performed by:		
Checked:		
Customer:		
Three-Phase: W22 IE2 IEC Tru-Metric - TEFC (IP55) Cast Iron Frame		
Three-phase induction motor Frame 355M/L - IP55	28-SEP-2016	