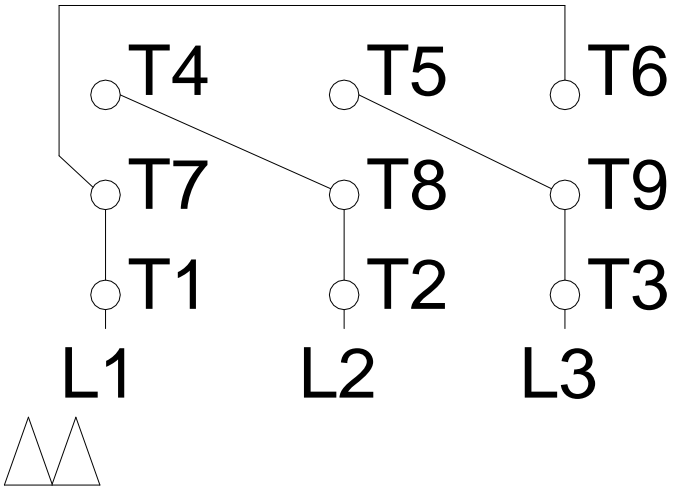


1 2 3 4 5 6 7 8

# LOW VOLTAGE

# HIGH VOLTAGE

A  
B  
C  
D  
E  
F



Notes: Downloaded from <a href="http://dealerselectric.com">http://dealerselectric.com</a> Generated for Model #02518OP3VFP284TS		
Performed by:		
Checked:		
Customer:		
Fire Pump Motors - ODP Three Phase - Foot Mount and Flange Mount		
Three-phase induction motor Frame 284TS - IP23	23-SEP-2016	