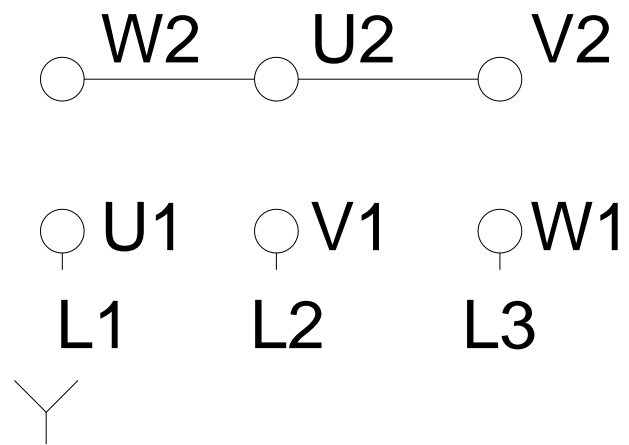
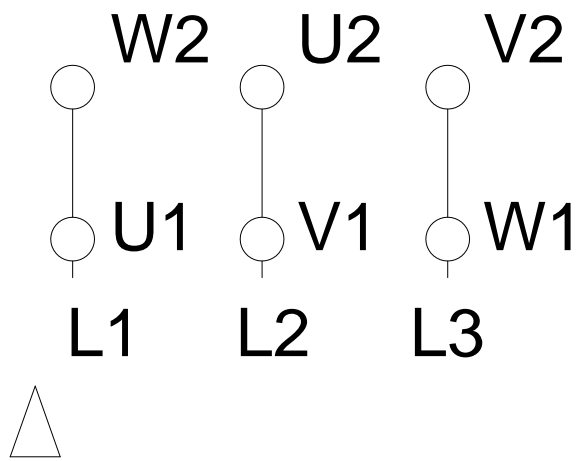


# LOW VOLTAGE

# HIGH VOLTAGE



Notes: Downloaded from <http://dealerselectric.com>  
Generated for Model #01118ET3Y160M-W22

Performed by:

Checked:

Customer:

Three-Phase: W22 IE3 IEC Tru-Metric - TEFC (IP55) Cast Iron Frame

Three-phase induction motor  
Frame 160M - IP55

23-SEP-2016

