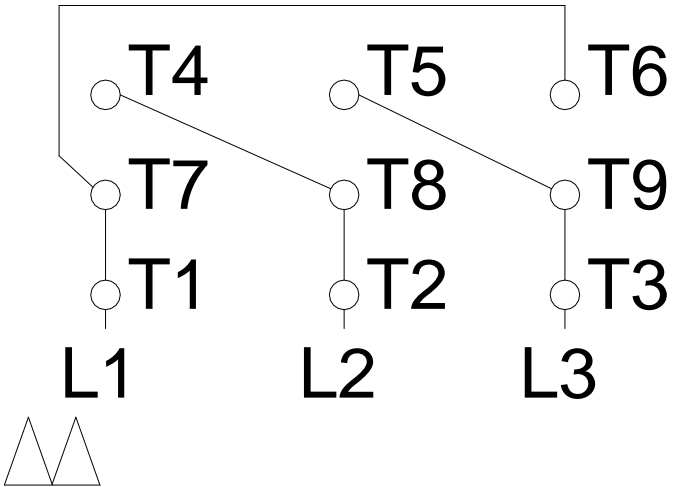



1 2 3 4 5 6 7 8

LOW VOLTAGE

HIGH VOLTAGE

A
B
C
D
E
F



| | | |
|---|-------------|---|
| Notes: Downloaded from http://dealerselectric.com Generated for Model #00718EP3E213JP-W22 | | |
| Performed by: | | |
| Checked: | | |
| Customer: | | |
| Close Coupled Pump: Three-Phase - W22 "JP" Type - TEFC - High Efficiency | | |
| Three-phase induction motor Frame 213JP - IP55 | 13-SEP-2016 |  |