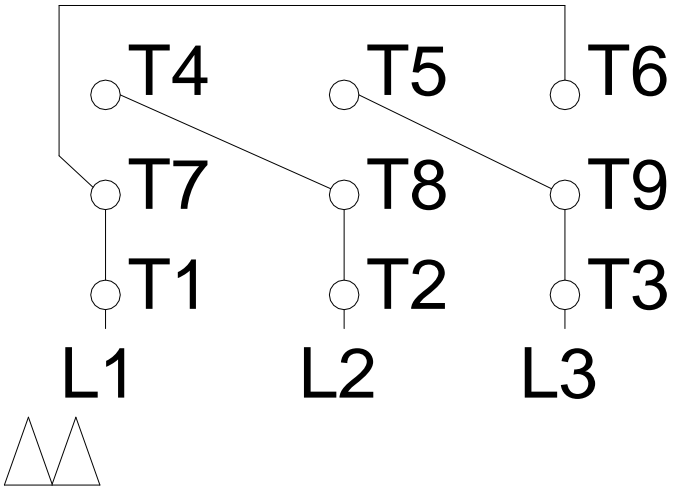


1 2 3 4 5 6 7 8

# LOW VOLTAGE

# HIGH VOLTAGE

A  
B  
C  
D  
E  
F



|   |             |  |
|---|-------------|--|
| Notes: Downloaded from <a href="http://dealerselectric.com">http://dealerselectric.com</a><br>Generated for Model #00518EP3E184JM-W22 |             |  |
| Performed by:   |             |  |
| Checked:  |             |  |
| Customer:   |             |  |
| Close Coupled Pump: Three-Phase - W22 "JM" Type - TEFC - High Efficiency  |             |  |
| Three-phase induction motor<br>Frame 182/4JM - IP55   | 13-SEP-2016 |  |