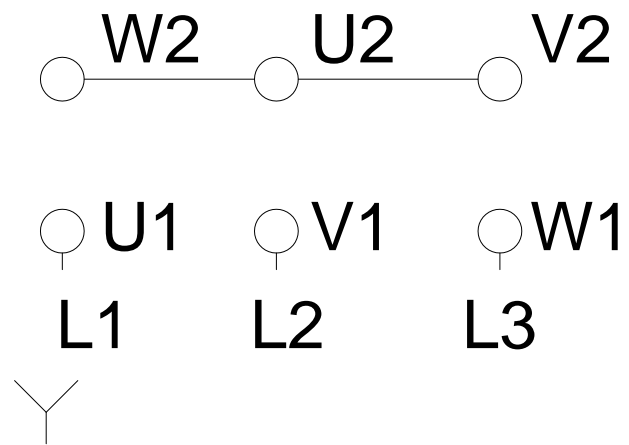
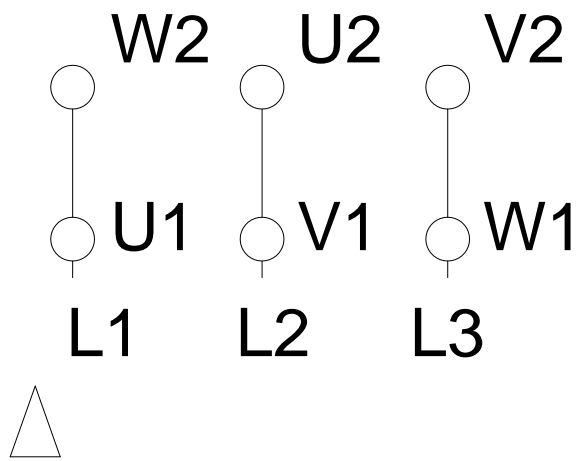


LOW VOLTAGE

HIGH VOLTAGE



Notes: Downloaded from http://dealerselectric.com Generated for Model #00318ET3WAL100L		
Performed by:		
Checked:		
Customer:		
Three-Phase: W21 IE3 IEC Tru-Metric - TEFC (IP55) Multi-Mounting Aluminum		
Three-phase induction motor Frame 100L - IP55	12-SEP-2016	