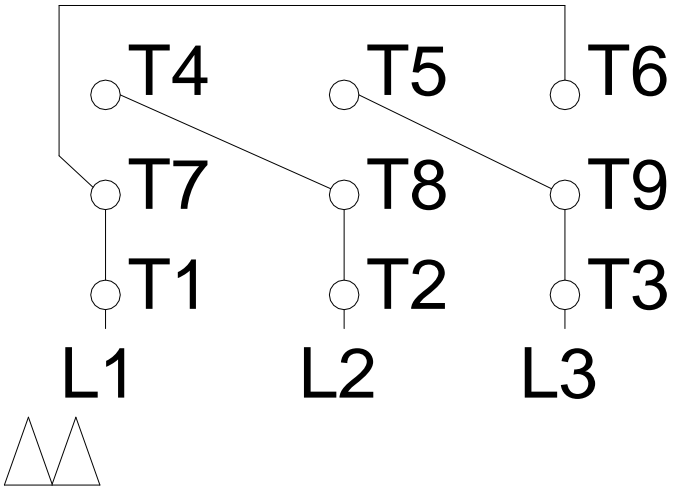


1 2 3 4 5 6 7 8

LOW VOLTAGE

HIGH VOLTAGE

A
B
C
D
E
F



| | | |
|---|-------------|--|
| Notes: Downloaded from http://dealerselectric.com Generated for Model #00318ET3ERS182TC | | |
| Performed by: | | |
| Checked: | | |
| Customer: | | |
| Three-Phase : Rolled Steel Motor - NEMA Premium Efficiency | | |
| Three-phase induction motor Frame 182T - IP55 | 12-SEP-2016 | |