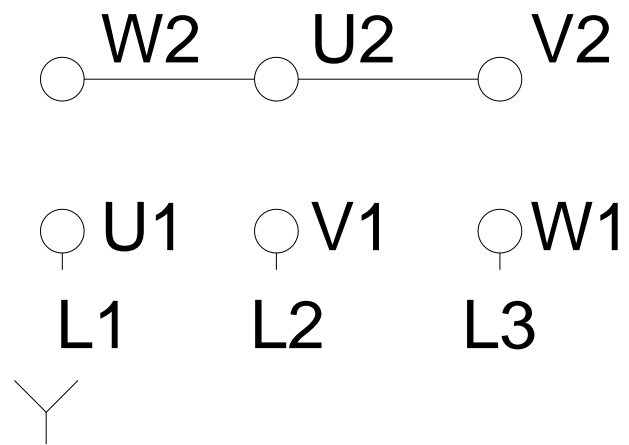
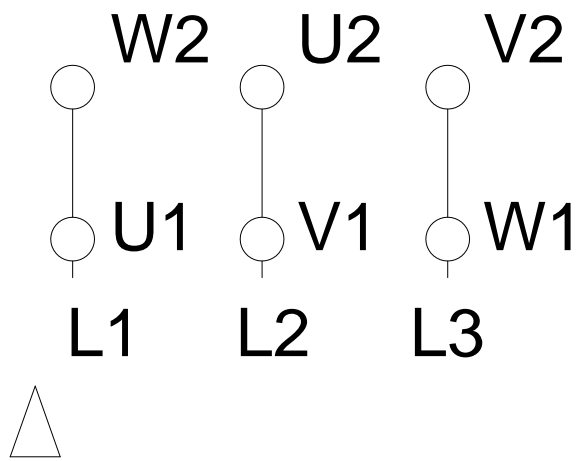


LOW VOLTAGE

HIGH VOLTAGE



Notes: Downloaded from http://dealerselectric.com Generated for Model #00159EP3YAL112M		
Performed by:		
Checked:		
Customer:		
Three-Phase : IEC Tru-Metric - TEFC (IP55) - Aluminum Frame		
Three-phase induction motor Frame 112M - IP55	12-SEP-2016	