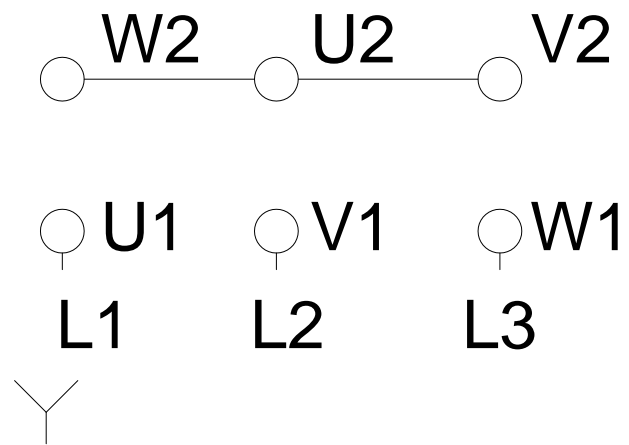
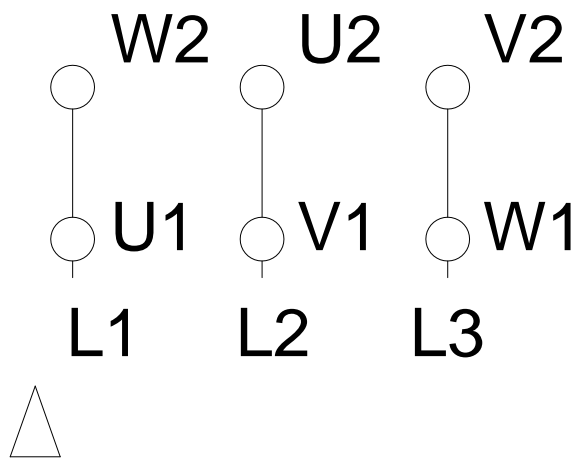


LOW VOLTAGE

HIGH VOLTAGE



| | | |
|---|-------------|--|
| Notes: Downloaded from http://dealerselectric.com Generated for Model #00158ET3WAL90L | | |
| Performed by: | | |
| Checked: | | |
| Customer: | | |
| Three-Phase: W21 IE3 IEC Tru-Metric - TEFC (IP55) Multi-Mounting Aluminum | | |
| Three-phase induction motor Frame 90S/L - IP55 | 12-SEP-2016 | |