



Dealers Industrial Equipment

No.:

Date: 29-SEP-2016

Customer :

TECHNICAL PROPOSAL

Single-phase induction motor - Squirrel cage rotor

Product line : Pool & Spa Motors : Square Flange - Start Capacitor - Low Service Factor

Catalog Number : PCQ125

List Price : \$500

Notes:

Downloaded from <http://dealerselectric.com>

Generated for Model #PCQ125

Performed by:

Checked:



Dealers Industrial Equipment

No.:

Date: 29-SEP-2016

DATA SHEET

Single-phase induction motor - Squirrel cage rotor

Customer :
Product line : Pool & Spa Motors : Square Flange - Start Capacitor - Low Service Factor

Frame : M48Y
Output : 2.5 HP
Frequency : 60 Hz
Poles : 2
Full load speed : 3450 rpm
Slip : 4.17 %
Voltage : 230 V
Rated current : 10.8 A
Locked rotor current : 63.7 A
Locked rotor current (I_L/I_n) : 5.9
No-load current : 3.40 A
Full load torque : 3.75 lb.ft
Locked rotor torque : 170 %
Breakdown torque : 210 %
Design : ---
Insulation class : B
Temperature rise : 80 K
Locked rotor time : 6 s (hot)
Service factor : 1.04
Duty cycle : S1
Ambient temperature : -20°C - +50°C
Altitude : 1000 m
Degree of Protection : IP21
Approximate weight : 32 lb
Moment of inertia : 0.04461 sq.ft.lb
Noise level : ---

	D.E.	N.D.E.	Load	Power factor	Efficiency (%)
Bearings	6203 2RS	6203 ZZ	100%	0.93	80.7
Regreasing interval	---	---	75%	0.00	79.0
Grease amount	---	---	50%	0.00	00.0

Notes:
Downloaded from <http://dealerselectric.com>
Generated for Model #PCQ125

Performed by

Checked



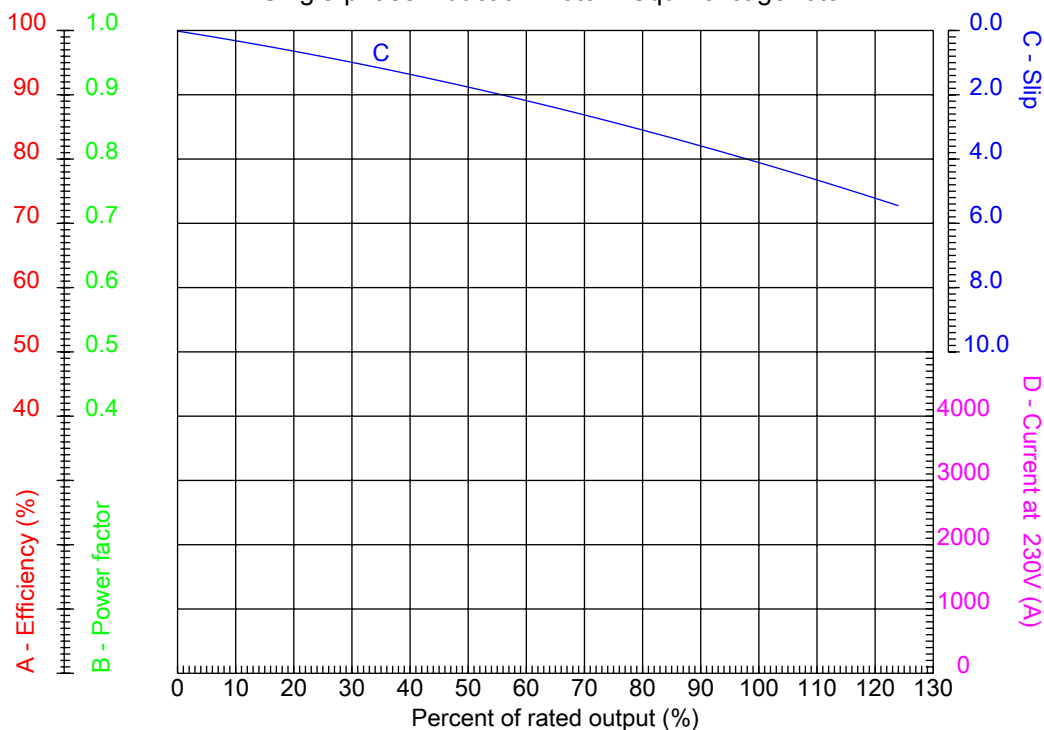
Dealers Industrial Equipment

No.:

Date: 29-SEP-2016

PERFORMANCE CURVES RELATED TO RATED OUTPUT

Single-phase induction motor - Squirrel cage rotor



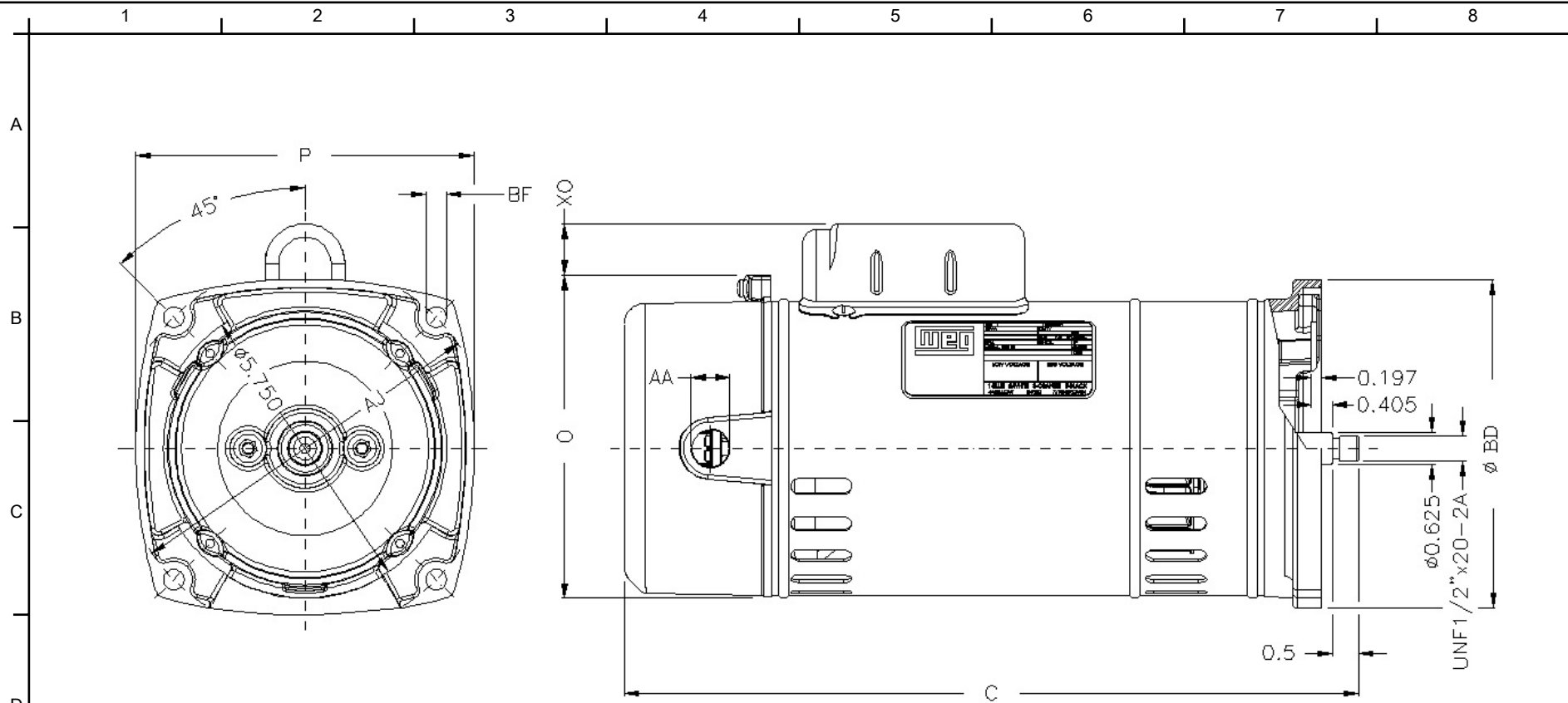
Customer :
 Product line : Pool & Spa Motors : Square Flange - Start Capacitor - Low Service Factor

Frame	: M48Y	Locked rotor current (I _L /I _n)	: 5.9
Output	: 2.5 HP	Duty cycle	: S1
Frequency	: 60 Hz	Service factor	: 1.04
Full load speed	: 3450 rpm	Design	: ---
Voltage	: 230 V	Locked rotor torque	: 170 %
Rated current	: 10.8 A	Breakdown torque	: 210 %
Insulation class	: B		

Notes:
 Downloaded from <http://dealerselectric.com>
 Generated for Model #PCQ125

Performed by

Checked



Notes: Downloaded from <http://dealerselectric.com>
 Generated for Model #PCQ125

Performed by:

Checked:

Customer:

Pool & Spa Motors : Square Flange - Start Capacitor - Low Service Factor

P 6.496	C 14.094	XO 1.358	AA NPT 1/2"	Flange FC-149
AJ 7.126	BD 6.496	BF 10		

Single-phase induction motor
 Frame M48Y - IP21

29-SEP-2016

