



Dealers Industrial Equipment

No.:

Date: 29-SEP-2016

Customer :

TECHNICAL PROPOSAL

Single-phase induction motor - Squirrel cage rotor

Product line : Pool & Spa Motors : Square Flange - Start Capacitor - High Service Factor

Catalog Number : PCQ120H

List Price : \$500

Notes:

Downloaded from <http://dealerselectric.com>

Generated for Model #PCQ120H

Performed by:

Checked:



Dealers Industrial Equipment

No.:

Date: 29-SEP-2016

### DATA SHEET Single-phase induction motor - Squirrel cage rotor

Customer :  
Product line : Pool & Spa Motors : Square Flange - Start Capacitor - High Service Factor

Frame : M48Y  
Output : 2 HP  
Frequency : 60 Hz  
Poles : 2  
Full load speed : 3490 rpm  
Slip : 3.06 %  
Voltage : 230 V  
Rated current : 9.20 A  
Locked rotor current : 64.4 A  
Locked rotor current (I<sub>L</sub>/I<sub>n</sub>) : 7.0  
No-load current : 3.60 A  
Full load torque : 2.97 lb.ft  
Locked rotor torque : 220 %  
Breakdown torque : 270 %  
Design : ---  
Insulation class : B  
Temperature rise : 80 K  
Locked rotor time : 6 s (hot)  
Service factor : 1.30  
Duty cycle : S1  
Ambient temperature : -20°C - +50°C  
Altitude : 1000 m  
Degree of Protection : IP21  
Approximate weight : 30 lb  
Moment of inertia : 0.04461 sq.ft.lb  
Noise level : ---

	D.E.	N.D.E.	Load	Power factor	Efficiency (%)
Bearings	6203 2RS	6203 ZZ	100%	0.90	78.3
Regreasing interval	---	---	75%	0.85	73.0
Grease amount	---	---	50%	0.78	66.0

Notes:  
Downloaded from <http://dealerselectric.com>  
Generated for Model #PCQ120H

Performed by

Checked



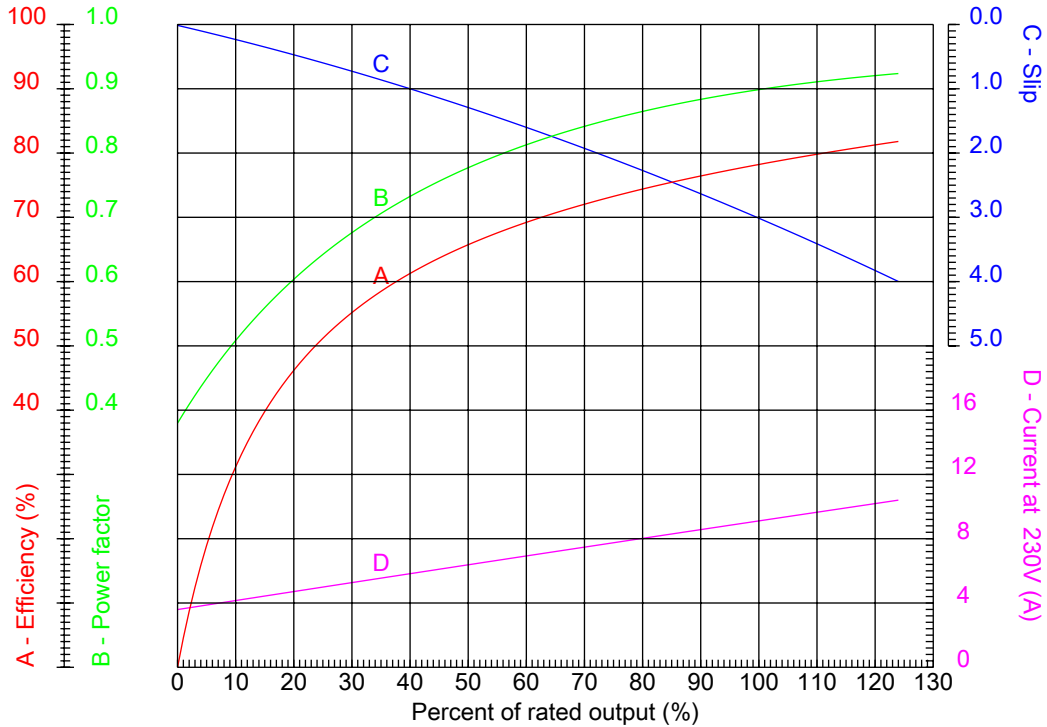
# Dealers Industrial Equipment

No.:

Date: 29-SEP-2016

## PERFORMANCE CURVES RELATED TO RATED OUTPUT

Single-phase induction motor - Squirrel cage rotor



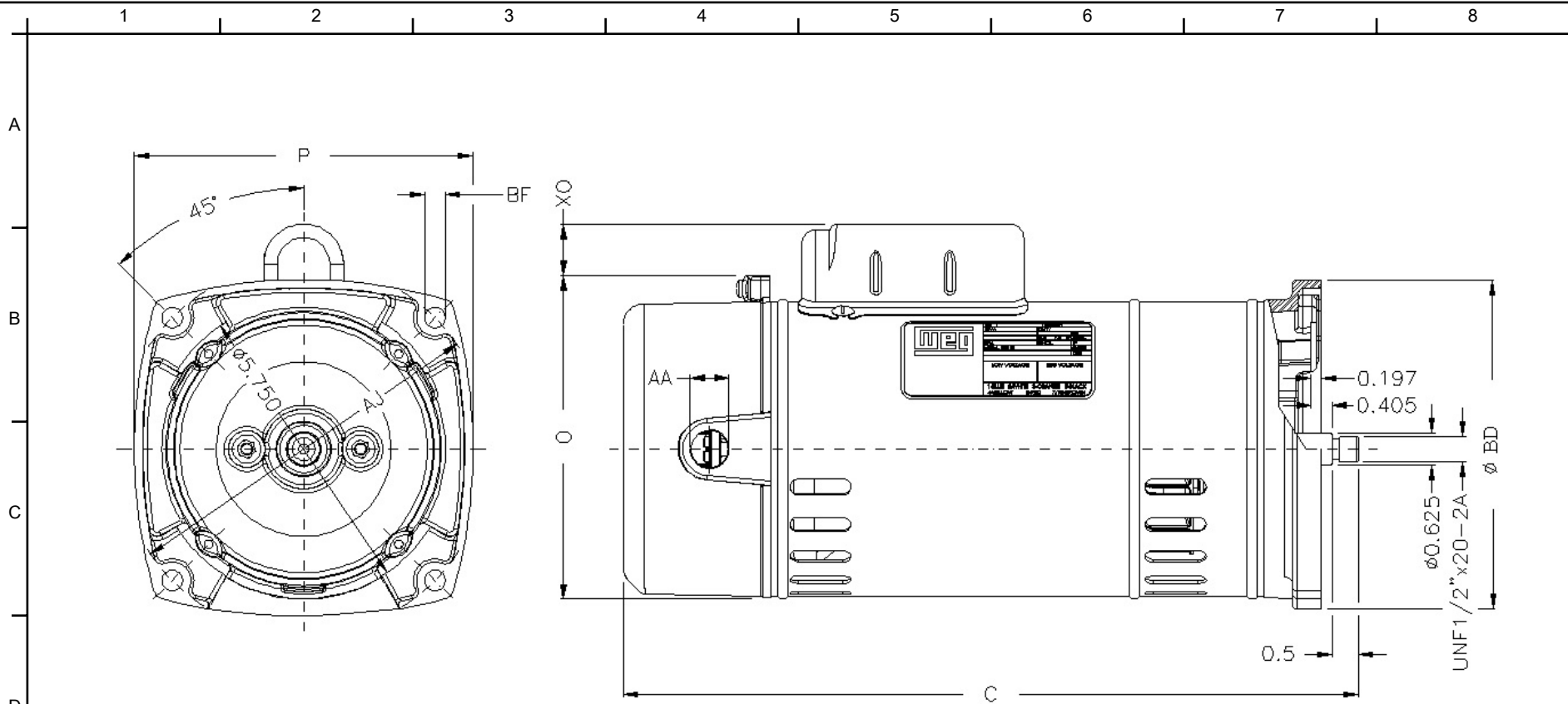
Customer :  
 Product line : Pool & Spa Motors : Square Flange - Start Capacitor - High Service Factor

Frame : M48Y	Locked rotor current (I <sub>l</sub> /I <sub>n</sub> ) : 7.0
Output : 2 HP	Duty cycle : S1
Frequency : 60 Hz	Service factor : 1.30
Full load speed : 3490 rpm	Design : ---
Voltage : 230 V	Locked rotor torque : 220 %
Rated current : 9.20 A	Breakdown torque : 270 %
Insulation class : B	

Notes:  
 Downloaded from <http://dealerselectric.com>  
 Generated for Model #PCQ120H

Performed by

Checked



Notes: Downloaded from <http://dealerselectric.com>  
 Generated for Model #PCQ120H

Performed by:

Checked:

Customer:

Pool & Spa Motors : Square Flange - Start Capacitor - High Service Factor

P 6.496	C 14.094	XO 1.023	AA NPT 1/2"	Flange FC-149
AJ 7.126	BF 10			

Single-phase induction motor  
 Frame M48Y - IP21

29-SEP-2016

