



Dealers Industrial Equipment

No.:

Date: 29-SEP-2016

Customer :

TECHNICAL PROPOSAL

Single-phase induction motor - Squirrel cage rotor

Product line : Pool & Spa Motors : Square Flange - Start Capacitor - Low Service Factor

Catalog Number : PCQ115

List Price : \$320

Notes:

Downloaded from <http://dealerselectric.com>

Generated for Model #PCQ115

Performed by:

Checked:



Dealers Industrial Equipment

No.:

Date: 29-SEP-2016

### DATA SHEET Single-phase induction motor - Squirrel cage rotor

Customer :  
Product line : Pool & Spa Motors : Square Flange - Start Capacitor - Low Service Factor

Frame : L48Y  
Output : 1.5 HP  
Frequency : 60 Hz  
Poles : 2  
Full load speed : 3450 rpm  
Slip : 4.17 %  
Voltage : 115/230 V  
Rated current : 17.7/8.85 A  
Locked rotor current : 104/52.2 A  
Locked rotor current (I<sub>L</sub>/I<sub>n</sub>) : 5.9  
No-load current : 10.5/5.25 A  
Full load torque : 2.25 lb.ft  
Locked rotor torque : 130 %  
Breakdown torque : 210 %  
Design : ---  
Insulation class : B  
Temperature rise : 80 K  
Locked rotor time : 6 s (hot)  
Service factor : 1.10  
Duty cycle : S1  
Ambient temperature : -20°C - +50°C  
Altitude : 1000 m  
Degree of Protection : IP21  
Approximate weight : 25 lb  
Moment of inertia : 0.03607 sq.ft.lb  
Noise level : ---

	D.E.	N.D.E.
Bearings	6203 2RS	6203 ZZ
Regreasing interval	---	---
Grease amount	---	---

Load	Power factor	Efficiency (%)
100%	0.79	69.6
75%	0.72	69.0
50%	0.61	64.5

Notes:  
Downloaded from <http://dealerselectric.com>  
Generated for Model #PCQ115

Performed by

Checked



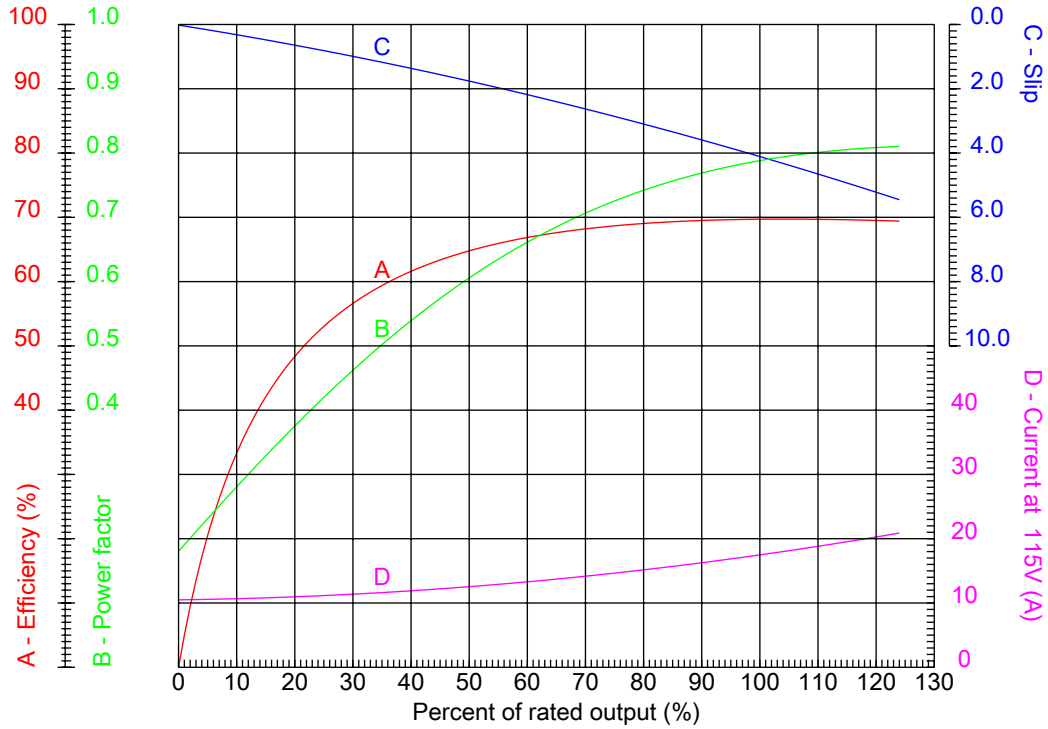
# Dealers Industrial Equipment

No.:

Date: 29-SEP-2016

## PERFORMANCE CURVES RELATED TO RATED OUTPUT

Single-phase induction motor - Squirrel cage rotor



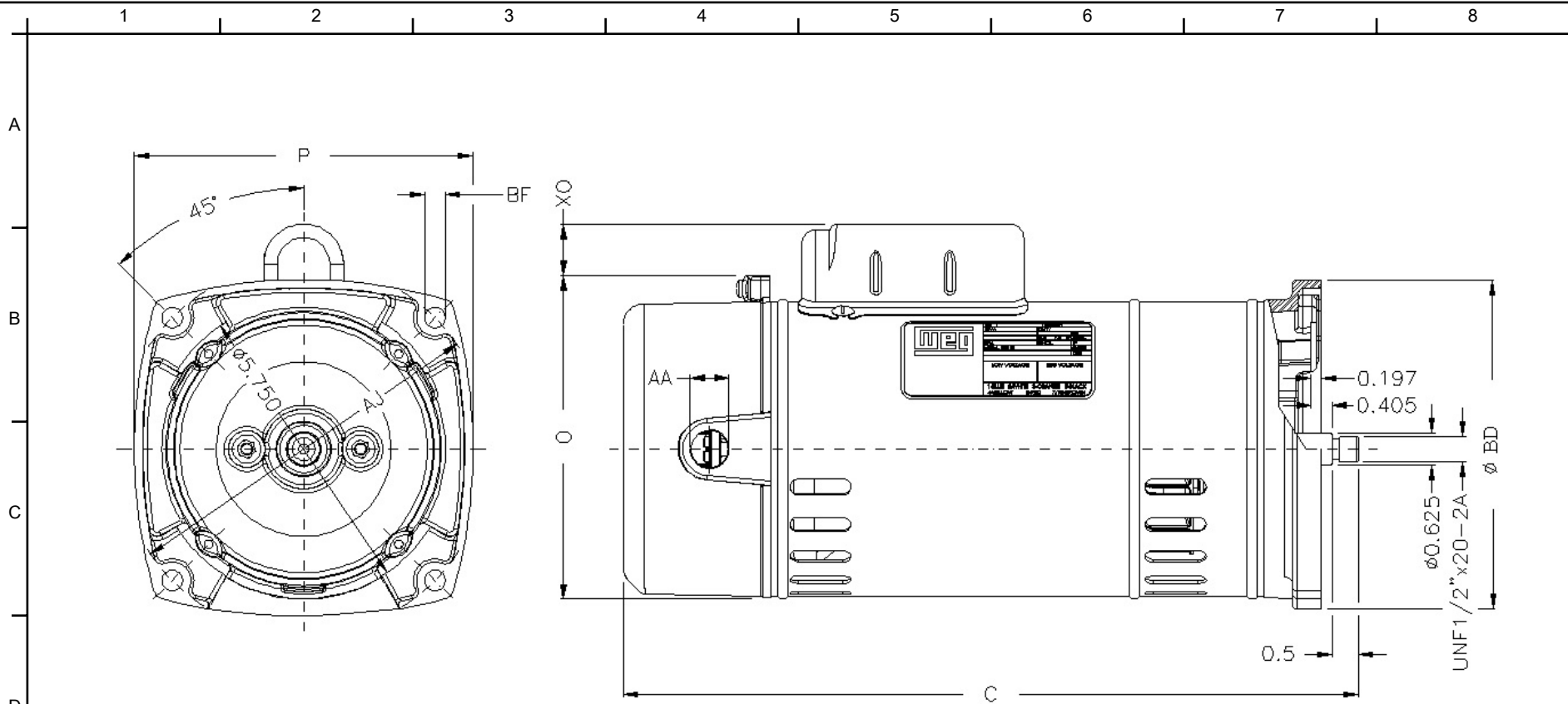
Customer :  
 Product line : Pool & Spa Motors : Square Flange - Start Capacitor - Low Service Factor

Frame : L48Y	Locked rotor current (I <sub>l</sub> /I <sub>n</sub> ) : 5.9
Output : 1.5 HP	Duty cycle : S1
Frequency : 60 Hz	Service factor : 1.10
Full load speed : 3450 rpm	Design : ---
Voltage : 115/230 V	Locked rotor torque : 130 %
Rated current : 17.7/8.85 A	Breakdown torque : 210 %
Insulation class : B	

Notes:  
 Downloaded from <http://dealerselectric.com>  
 Generated for Model #PCQ115

Performed by

Checked



Notes: Downloaded from <http://dealerselectric.com>  
 Generated for Model #PCQ115

Performed by:

Checked:

Customer:

Pool & Spa Motors : Square Flange - Start Capacitor - Low Service Factor

P 6.496	C 13.504	XO 1.358	AA NPT 1/2"	Flange FC-149
AJ 7.126	BD 6.496	BF 10		

Single-phase induction motor  
 Frame L48Y - IP21

29-SEP-2016

