



Dealers Industrial Equipment

No.:

Date: 29-SEP-2016

Customer :

TECHNICAL PROPOSAL

Single-phase induction motor - Squirrel cage rotor

Product line : Pool & Spa Motors : Square Flange - Start Capacitor - Low Service Factor

Catalog Number : PCQ110

List Price : \$275

Notes:

Downloaded from <http://dealerselectric.com>

Generated for Model #PCQ110

Performed by:

Checked:



Dealers Industrial Equipment

No.:

Date: 29-SEP-2016

DATA SHEET Single-phase induction motor - Squirrel cage rotor

Customer :
 Product line : Pool & Spa Motors : Square Flange - Start Capacitor - Low Service Factor

Frame : K48Y
 Output : 1 HP
 Frequency : 60 Hz
 Poles : 2
 Full load speed : 3470 rpm
 Slip : 3.61 %
 Voltage : 115/230 V
 Rated current : 12.5/6.25 A
 Locked rotor current : 71.3/35.6 A
 Locked rotor current (I_L/I_n) : 5.7
 No-load current : 8.30/4.15 A
 Full load torque : 1.49 lb.ft
 Locked rotor torque : 140 %
 Breakdown torque : 250 %
 Design : ---
 Insulation class : B
 Temperature rise : 80 K
 Locked rotor time : 6 s (hot)
 Service factor : 1.25
 Duty cycle : S1
 Ambient temperature : -20°C - +50°C
 Altitude : 1000 m
 Degree of Protection : IP21
 Approximate weight : 24 lb
 Moment of inertia : 0.02966 sq.ft.lb
 Noise level : ---

	D.E.	N.D.E.
Bearings	6203 2RS	6203 ZZ
Regreasing interval	---	---
Grease amount	---	---

Load	Power factor	Efficiency (%)
100%	0.74	70.1
75%	0.67	67.0
50%	0.56	61.0

Notes:
 Downloaded from <http://dealerselectric.com>
 Generated for Model #PCQ110

Performed by

Checked

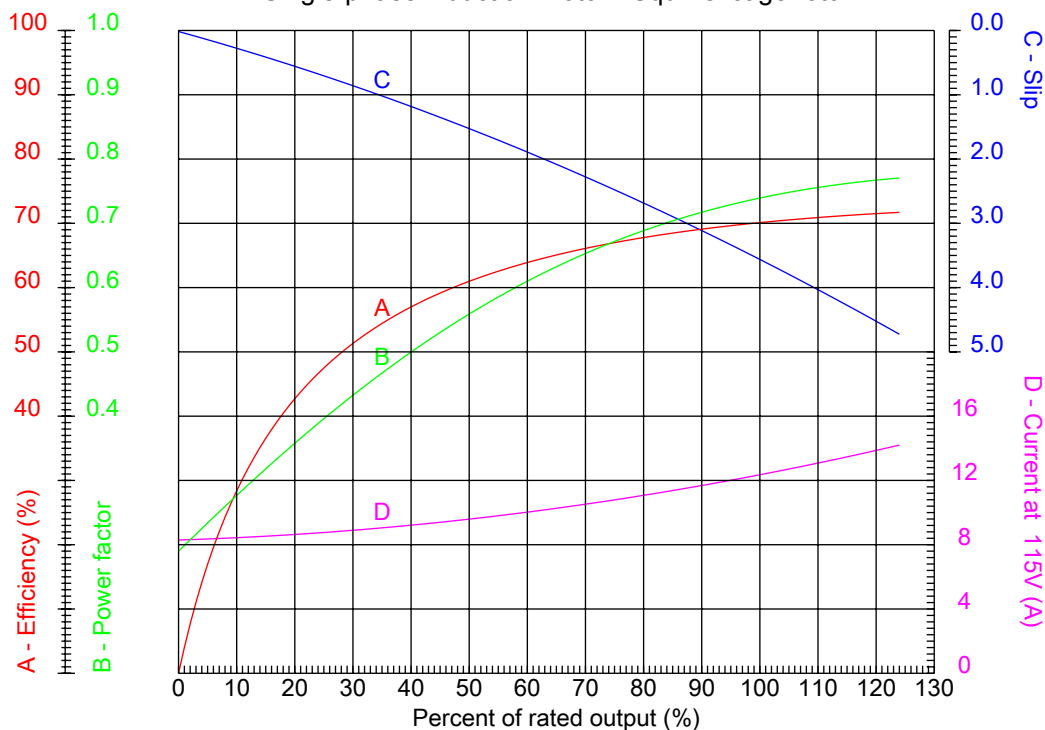


Dealers Industrial Equipment

No.:

Date: 29-SEP-2016

PERFORMANCE CURVES RELATED TO RATED OUTPUT Single-phase induction motor - Squirrel cage rotor



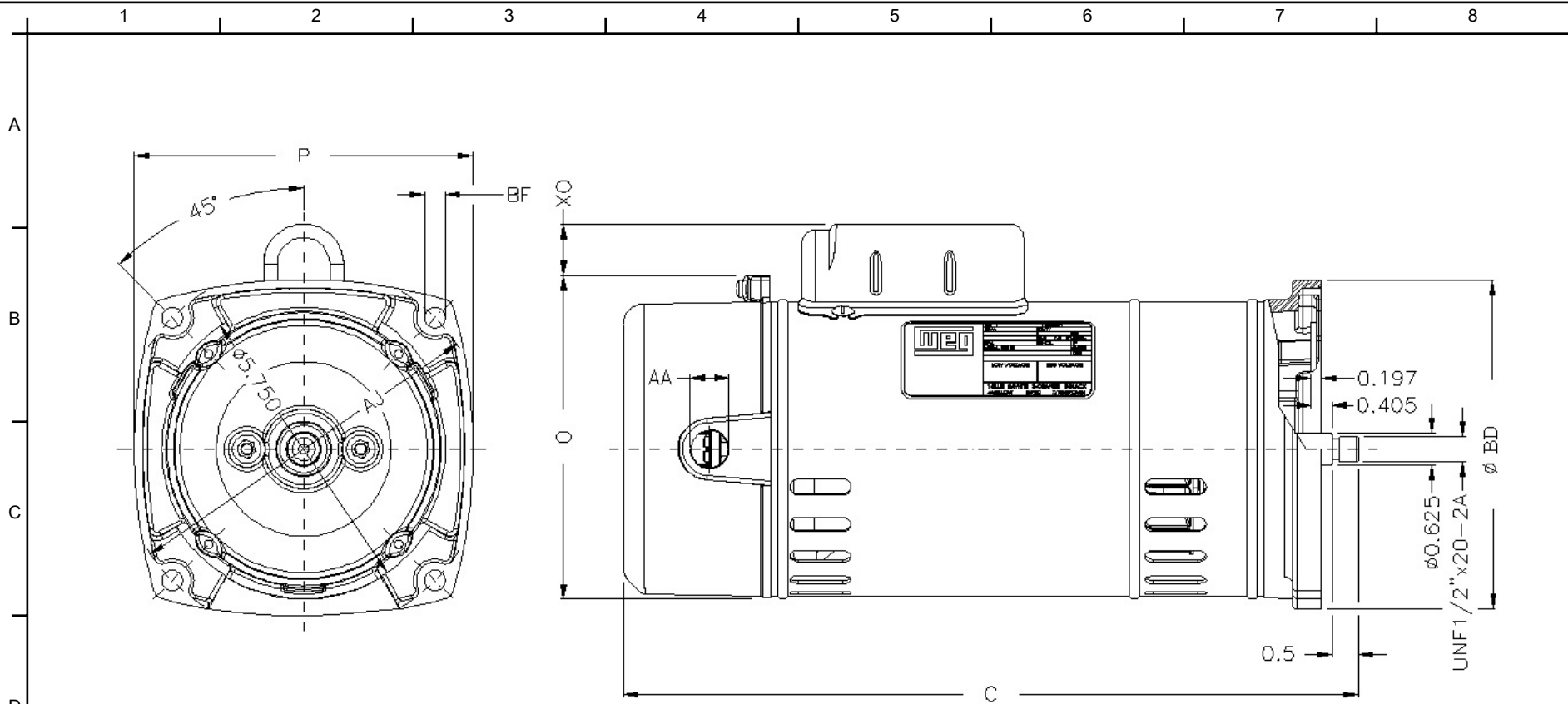
Customer :
Product line : Pool & Spa Motors : Square Flange - Start Capacitor - Low Service Factor

Frame	: K48Y	Locked rotor current (I _l /I _n)	: 5.7
Output	: 1 HP	Duty cycle	: S1
Frequency	: 60 Hz	Service factor	: 1.25
Full load speed	: 3470 rpm	Design	: ---
Voltage	: 115/230 V	Locked rotor torque	: 140 %
Rated current	: 12.5/6.25 A	Breakdown torque	: 250 %
Insulation class	: B		

Notes:
Downloaded from <http://dealerselectric.com>
Generated for Model #PCQ110

Performed by

Checked



Notes: Downloaded from <http://dealerselectric.com>
 Generated for Model #PCQ110

Performed by:

Checked:

Customer:

Pool & Spa Motors : Square Flange - Start Capacitor - Low Service Factor

P 6.496	C 12.913	XO 1.358	AA NPT 1/2"	Flange FC-149
AJ 7.126	BD 6.496	BF 10		

Single-phase induction motor
 Frame K48Y - IP21

29-SEP-2016

