



Dealers Industrial Equipment

No.:

Date: 29-SEP-2016

Customer :

TECHNICAL PROPOSAL

Single-phase induction motor - Squirrel cage rotor

Product line : Pool & Spa Motors : Square Flange - Start Capacitor - Low Service Factor

Catalog Number : PCQ107

List Price : \$241

Notes:

Downloaded from <http://dealerselectric.com>

Generated for Model #PCQ107

Performed by:

Checked:



Dealers Industrial Equipment

No.:

Date: 29-SEP-2016

DATA SHEET Single-phase induction motor - Squirrel cage rotor

Customer :
Product line : Pool & Spa Motors : Square Flange - Start Capacitor - Low Service Factor

Frame : K48Y
Output : 0.75 HP
Frequency : 60 Hz
Poles : 2
Full load speed : 3465 rpm
Slip : 3.75 %
Voltage : 115/230 V
Rated current : 10.2/5.10 A
Locked rotor current : 54.1/27.0 A
Locked rotor current (I_L/I_n) : 5.3
No-load current : 7.70/3.85 A
Full load torque : 1.12 lb.ft
Locked rotor torque : 140 %
Breakdown torque : 260 %
Design : ---
Insulation class : B
Temperature rise : 80 K
Locked rotor time : 6 s (hot)
Service factor : 1.30
Duty cycle : S1
Ambient temperature : -20°C - +50°C
Altitude : 1000 m
Degree of Protection : IP21
Approximate weight : 24 lb
Moment of inertia : 0.02326 sq.ft.lb
Noise level : ---

	D.E.	N.D.E.
Bearings	6203 2RS	6203 ZZ
Regreasing interval	---	---
Grease amount	---	---

Load	Power factor	Efficiency (%)
100%	0.72	66.2
75%	0.63	62.5
50%	0.53	55.0

Notes:
Downloaded from <http://dealerselectric.com>
Generated for Model #PCQ107

Performed by

Checked



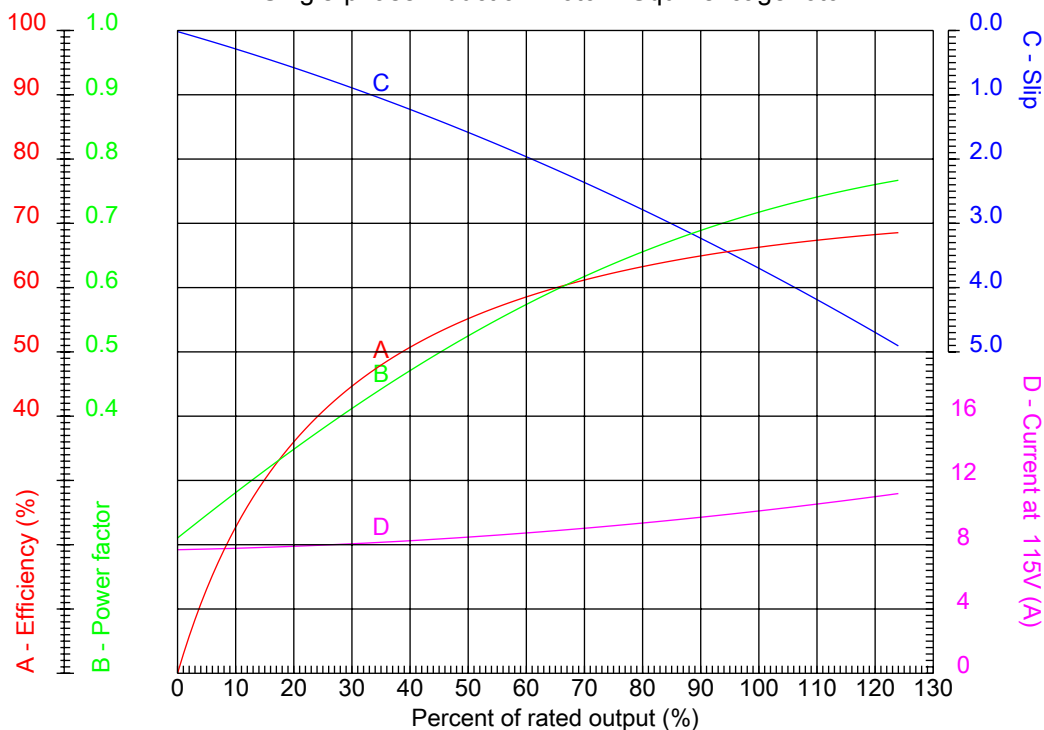
Dealers Industrial Equipment

No.:

Date: 29-SEP-2016

PERFORMANCE CURVES RELATED TO RATED OUTPUT

Single-phase induction motor - Squirrel cage rotor



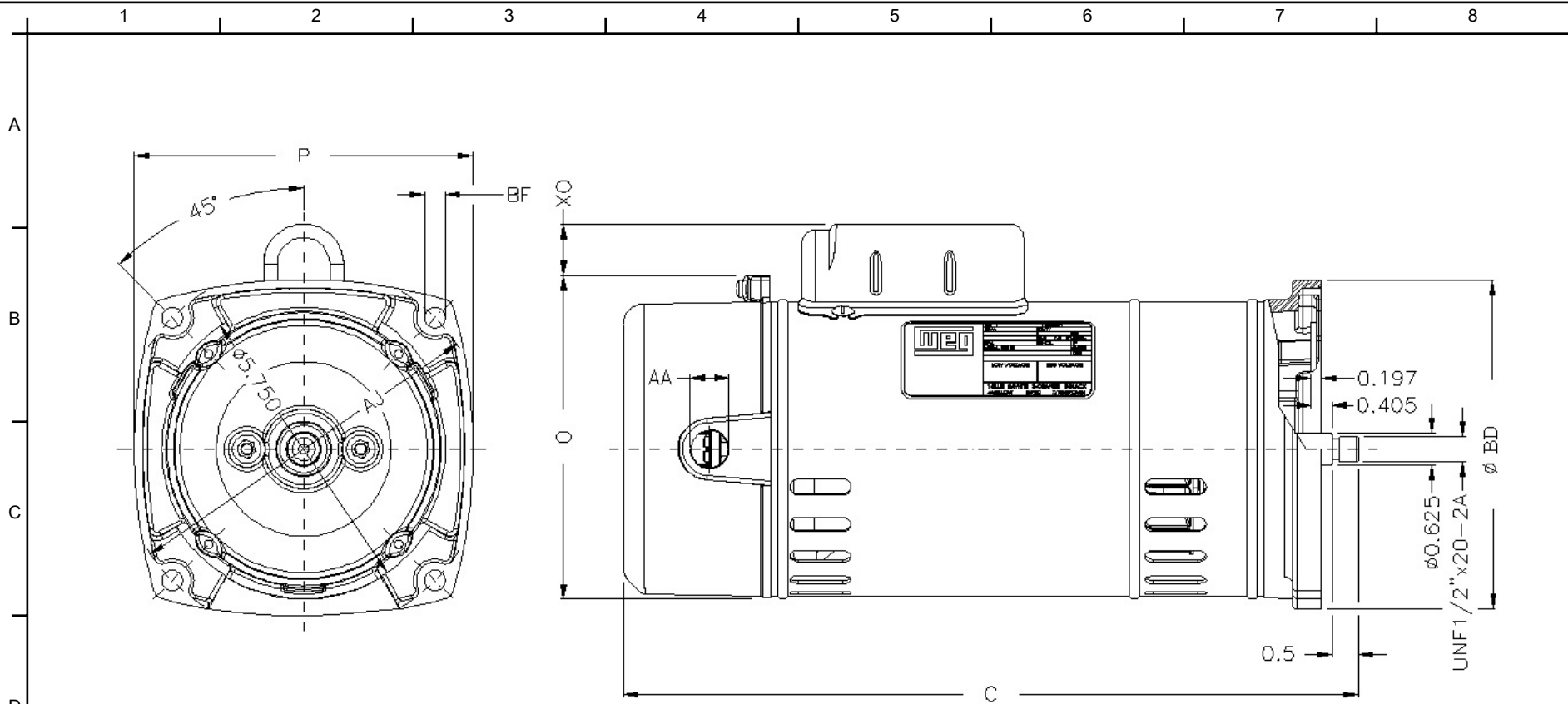
Customer :
 Product line : Pool & Spa Motors : Square Flange - Start Capacitor - Low Service Factor

Frame	: K48Y	Locked rotor current (I _l /I _n)	: 5.3
Output	: 0.75 HP	Duty cycle	: S1
Frequency	: 60 Hz	Service factor	: 1.30
Full load speed	: 3465 rpm	Design	: ---
Voltage	: 115/230 V	Locked rotor torque	: 140 %
Rated current	: 10.2/5.10 A	Breakdown torque	: 260 %
Insulation class	: B		

Notes:
 Downloaded from <http://dealerselectric.com>
 Generated for Model #PCQ107

Performed by

Checked



Notes: Downloaded from <http://dealerselectric.com>
 Generated for Model #PCQ107

Performed by:

Checked:

Customer:

Pool & Spa Motors : Square Flange - Start Capacitor - Low Service Factor

P 6.496	C 12.913	XO 1.358	AA NPT 1/2"	Flange FC-149
AJ 7.126	BD 6.496	BF 10		

Single-phase induction motor
 Frame K48Y - IP21

29-SEP-2016

