



Dealers Industrial Equipment

No.:

Date: 29-SEP-2016

Customer :

TECHNICAL PROPOSAL

Single-phase induction motor - Squirrel cage rotor

Product line : Pool & Spa Motors : Square Flange - Start Capacitor - Low Service Factor

Catalog Number : PCQ105

List Price : \$231

Notes:

Downloaded from <http://dealerselectric.com>

Generated for Model #PCQ105

Performed by:

Checked:



# Dealers Industrial Equipment

No.:

Date: 29-SEP-2016

## DATA SHEET Single-phase induction motor - Squirrel cage rotor

Customer :  
 Product line : Pool & Spa Motors : Square Flange - Start Capacitor - Low Service Factor

Frame : K48Y  
 Output : 0.5 HP  
 Frequency : 60 Hz  
 Poles : 2  
 Full load speed : 3470 rpm  
 Slip : 3.61 %  
 Voltage : 115/230 V  
 Rated current : 7.50/3.75 A  
 Locked rotor current : 36.8/18.4 A  
 Locked rotor current (I<sub>L</sub>/I<sub>n</sub>) : 4.9  
 No-load current : 5.80/2.90 A  
 Full load torque : 0.747 lb.ft  
 Locked rotor torque : 140 %  
 Breakdown torque : 260 %  
 Design : ---  
 Insulation class : B  
 Temperature rise : 80 K  
 Locked rotor time : 6 s (hot)  
 Service factor : 1.30  
 Duty cycle : S1  
 Ambient temperature : -20°C - +50°C  
 Altitude : 1000 m  
 Degree of Protection : IP21  
 Approximate weight : 21 lb  
 Moment of inertia : 0.01898 sq.ft.lb  
 Noise level : ---

	D.E.	N.D.E.
Bearings	6203 2RS	6203 ZZ
Regreasing interval	---	---
Grease amount	---	---

Load	Power factor	Efficiency (%)
100%	0.70	61.8
75%	0.61	57.5
50%	0.52	50.0

Notes:  
 Downloaded from <http://dealerselectric.com>  
 Generated for Model #PCQ105

Performed by

Checked



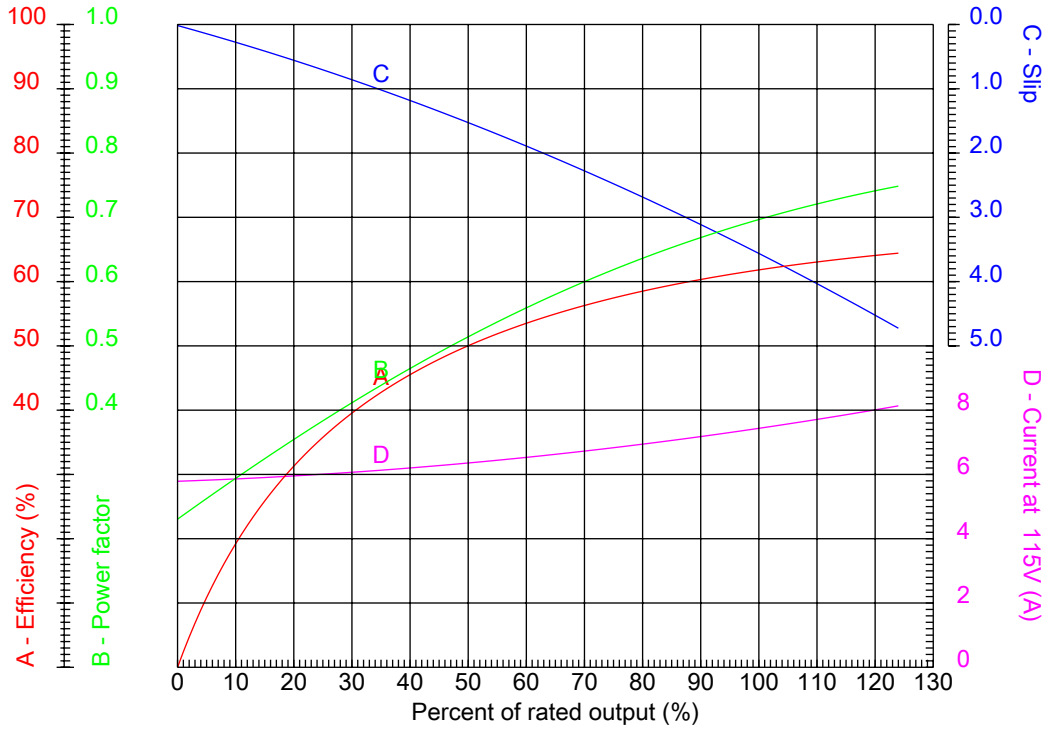
# Dealers Industrial Equipment

No.:

Date: 29-SEP-2016

## PERFORMANCE CURVES RELATED TO RATED OUTPUT

Single-phase induction motor - Squirrel cage rotor



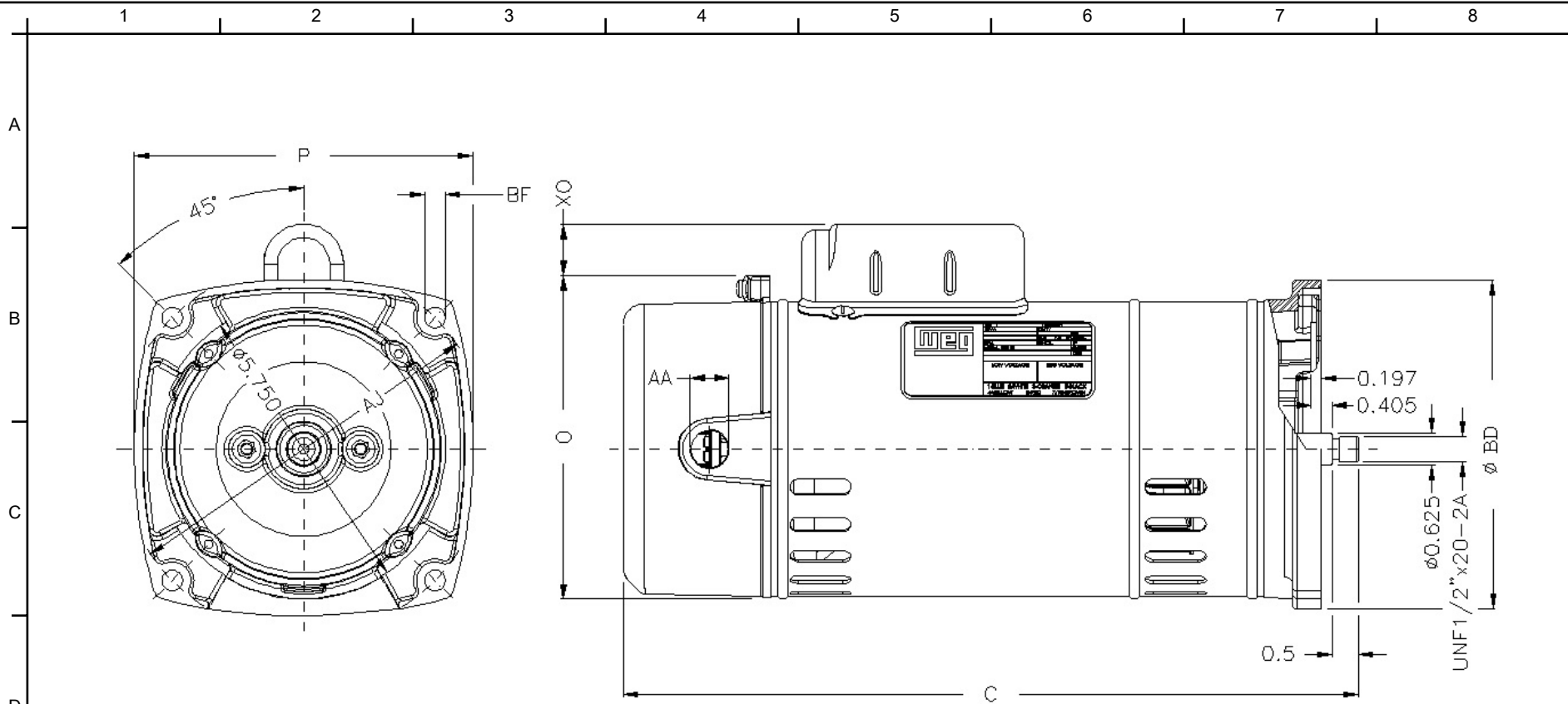
Customer :  
 Product line : Pool & Spa Motors : Square Flange - Start Capacitor - Low Service Factor

Frame : K48Y	Locked rotor current (I <sub>l</sub> /I <sub>n</sub> ) : 4.9
Output : 0.5 HP	Duty cycle : S1
Frequency : 60 Hz	Service factor : 1.30
Full load speed : 3470 rpm	Design : ---
Voltage : 115/230 V	Locked rotor torque : 140 %
Rated current : 7.50/3.75 A	Breakdown torque : 260 %
Insulation class : B	

Notes:  
 Downloaded from <http://dealerselectric.com>  
 Generated for Model #PCQ105

Performed by

Checked



Notes: Downloaded from <http://dealerselectric.com>  
 Generated for Model #PCQ105

Performed by:

Checked:

Customer:

Pool & Spa Motors : Square Flange - Start Capacitor - Low Service Factor

P 6.496	C 12.913	XO 1.358	AA NPT 1/2"	Flange FC-149
AJ 7.126	BD 6.496	BF 10		

Single-phase induction motor  
 Frame K48Y - IP21

29-SEP-2016

