



Dealers Industrial Equipment

No.:

Date: 29-SEP-2016

Customer :

TECHNICAL PROPOSAL

Single-phase induction motor - Squirrel cage rotor

Product line : Pool & Spa Motors : Square Flange - Start Capacitor - High Service Factor

Catalog Number : PCQ103H

List Price : \$231

Notes:

Downloaded from <http://dealerselectric.com>

Generated for Model #PCQ103H

Performed by:

Checked:



Dealers Industrial Equipment

No.:

Date: 29-SEP-2016

DATA SHEET Single-phase induction motor - Squirrel cage rotor

Customer :
 Product line : Pool & Spa Motors : Square Flange - Start Capacitor - High Service Factor

Frame : K48Y
 Output : 0.33 HP
 Frequency : 60 Hz
 Poles : 2
 Full load speed : 3510 rpm
 Slip : 2.50 %
 Voltage : 115/230 V
 Rated current : 6.90/3.45 A
 Locked rotor current : 38.0/19.0 A
 Locked rotor current (I_L/I_n) : 5.5
 No-load current : 5.80/2.90 A
 Full load torque : 0.487 lb.ft
 Locked rotor torque : 200 %
 Breakdown torque : 400 %
 Design : ---
 Insulation class : B
 Temperature rise : 80 K
 Locked rotor time : 6 s (hot)
 Service factor : 1.95
 Duty cycle : S1
 Ambient temperature : -20°C - +50°C
 Altitude : 1000 m
 Degree of Protection : IP21
 Approximate weight : 21 lb
 Moment of inertia : 0.01898 sq.ft.lb
 Noise level : ---

	D.E.	N.D.E.
Bearings	6203 2RS	6203 ZZ
Regreasing interval	---	---
Grease amount	---	---

Load	Power factor	Efficiency (%)
100%	0.57	55.0
75%	0.51	48.0
50%	0.43	40.0

Notes:
 Downloaded from <http://dealerselectric.com>
 Generated for Model #PCQ103H

Performed by

Checked

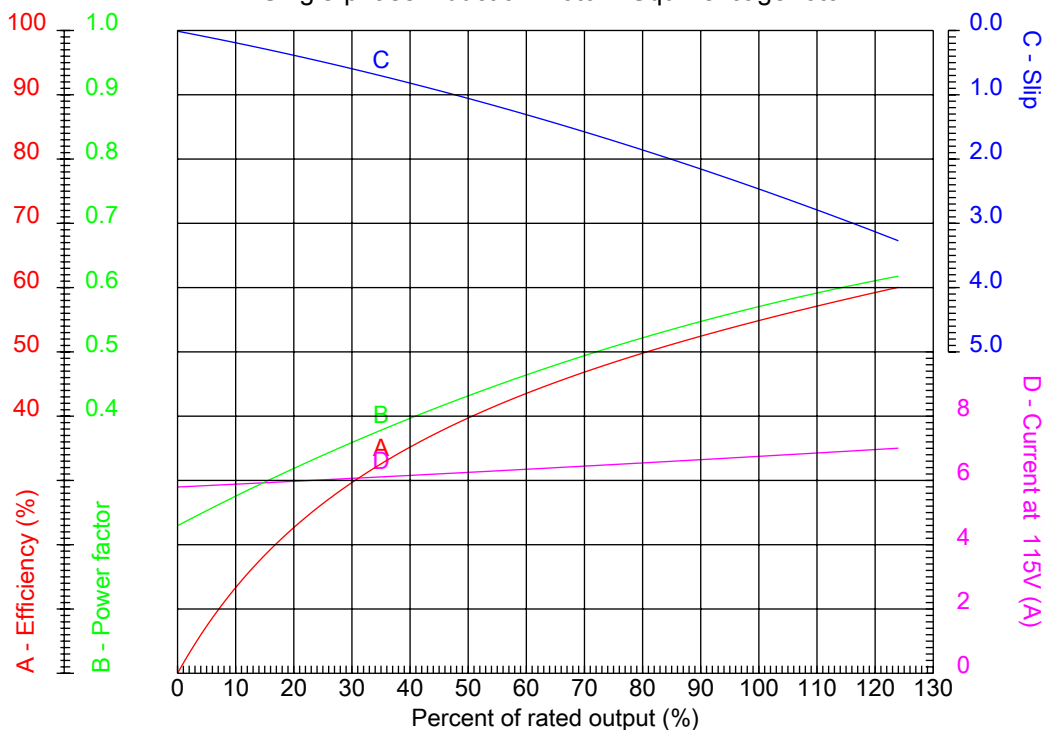


Dealers Industrial Equipment

No.:

Date: 29-SEP-2016

PERFORMANCE CURVES RELATED TO RATED OUTPUT Single-phase induction motor - Squirrel cage rotor



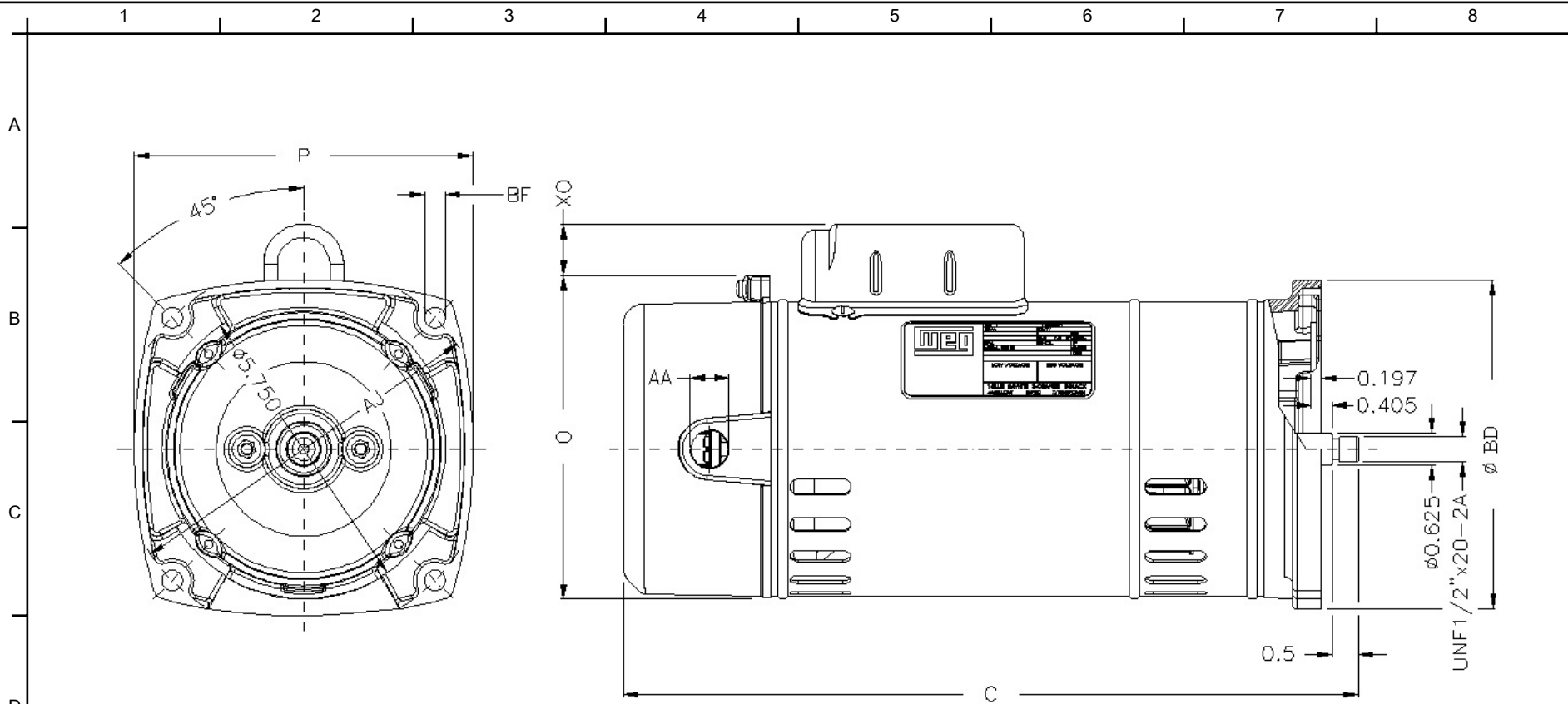
Customer :
 Product line : Pool & Spa Motors : Square Flange - Start Capacitor - High Service Factor

Frame	: K48Y	Locked rotor current (I _l /I _n)	: 5.5
Output	: 0.33 HP	Duty cycle	: S1
Frequency	: 60 Hz	Service factor	: 1.95
Full load speed	: 3510 rpm	Design	: ---
Voltage	: 115/230 V	Locked rotor torque	: 200 %
Rated current	: 6.90/3.45 A	Breakdown torque	: 400 %
Insulation class	: B		

Notes:
 Downloaded from <http://dealerselectric.com>
 Generated for Model #PCQ103H

Performed by

Checked



Notes: Downloaded from <http://dealerselectric.com>
 Generated for Model #PCQ103H

Performed by:

Checked:

Customer:

Pool & Spa Motors : Square Flange - Start Capacitor - High Service Factor

P 6.496	C 12.913	XO 1.023	AA NPT 1/2"	Flange FC-149
AJ 7.126	BF 10			

Single-phase induction motor
 Frame K48Y - IP21

29-SEP-2016

