



Dealers Industrial Equipment

No.:

Date: 29-SEP-2016

Customer :

TECHNICAL PROPOSAL

Single-phase induction motor - Squirrel cage rotor

Product line : Pool & Spa Motors : C-Face - Start Capacitor - High Service Factor

Catalog Number : PCJ115H

List Price : \$400

Notes:

Downloaded from <http://dealerselectric.com>

Generated for Model #PCJ115H

Performed by:

Checked:



Dealers Industrial Equipment

No.:

Date: 29-SEP-2016

### DATA SHEET Single-phase induction motor - Squirrel cage rotor

Customer :  
Product line : Pool & Spa Motors : C-Face - Start Capacitor - High Service Factor

Frame : M56J  
Output : 1.5 HP  
Frequency : 60 Hz  
Poles : 2  
Full load speed : 3500 rpm  
Slip : 2.78 %  
Voltage : 230 V  
Rated current : 7.50 A  
Locked rotor current : 55.5 A  
Locked rotor current (I<sub>L</sub>/I<sub>n</sub>) : 7.4  
No-load current : 3.90 A  
Full load torque : 2.22 lb.ft  
Locked rotor torque : 180 %  
Breakdown torque : 310 %  
Design : ---  
Insulation class : B  
Temperature rise : 80 K  
Locked rotor time : 6 s (hot)  
Service factor : 1.30  
Duty cycle : S1  
Ambient temperature : -20°C - +50°C  
Altitude : 1000 m  
Degree of Protection : IP21  
Approximate weight : 34 lb  
Moment of inertia : 0.04034 sq.ft.lb  
Noise level : ---

	D.E.	N.D.E.
Bearings	6203 2RS	6203 ZZ
Regreasing interval	---	---
Grease amount	---	---

Load	Power factor	Efficiency (%)
100%	0.85	76.3
75%	0.80	72.0
50%	0.72	63.5

Notes:  
Downloaded from <http://dealerselectric.com>  
Generated for Model #PCJ115H

Performed by

Checked



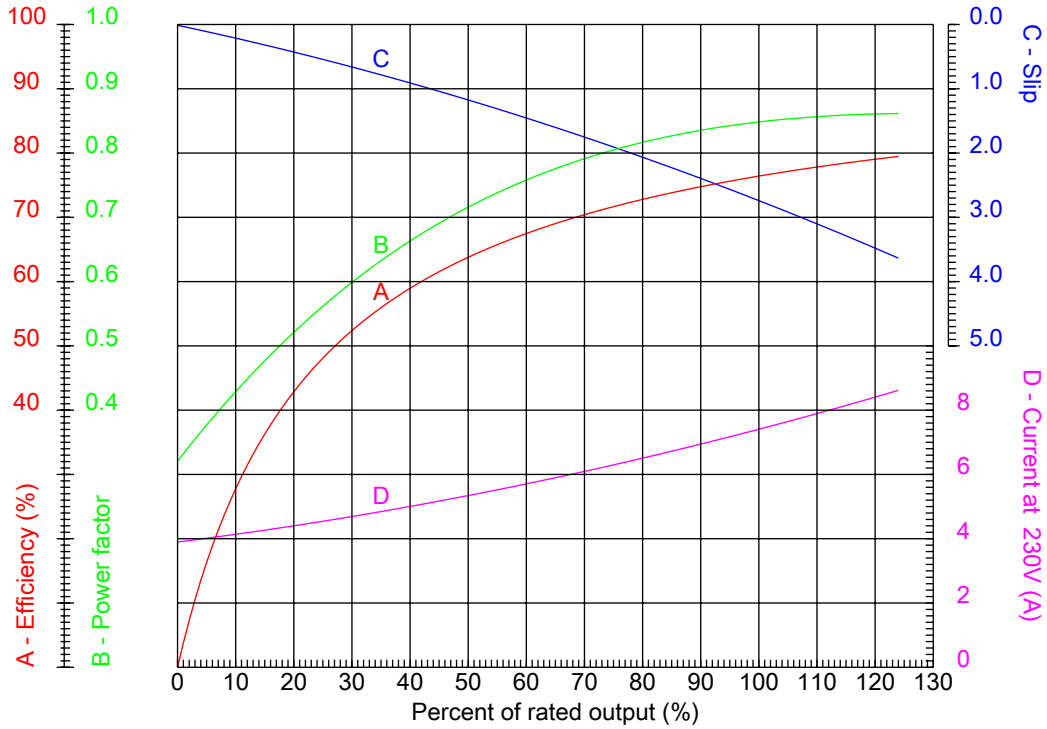
# Dealers Industrial Equipment

No.:

Date: 29-SEP-2016

## PERFORMANCE CURVES RELATED TO RATED OUTPUT

Single-phase induction motor - Squirrel cage rotor



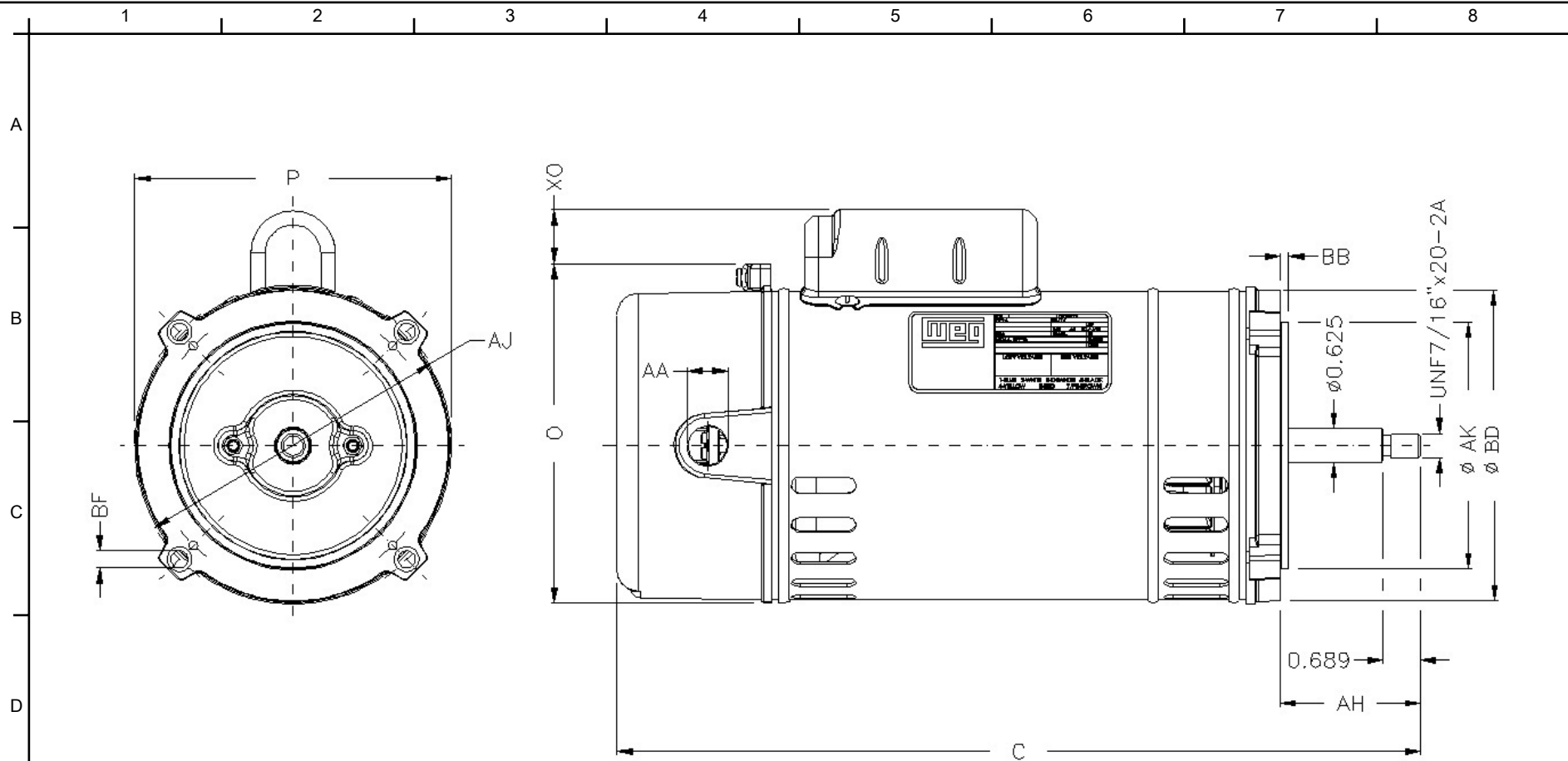
Customer :  
 Product line : Pool & Spa Motors : C-Face - Start Capacitor - High Service Factor

Frame : M56J	Locked rotor current (I <sub>l</sub> /I <sub>n</sub> ) : 7.4
Output : 1.5 HP	Duty cycle : S1
Frequency : 60 Hz	Service factor : 1.30
Full load speed : 3500 rpm	Design : ---
Voltage : 230 V	Locked rotor torque : 180 %
Rated current : 7.50 A	Breakdown torque : 310 %
Insulation class : B	

Notes:  
 Downloaded from <http://dealerselectric.com>  
 Generated for Model #PCJ115H

Performed by

Checked



Notes: Downloaded from <http://dealerselectric.com>  
 Generated for Model #PCJ115H

Performed by:

Checked:

Customer:

Pool & Spa Motors : C-Face - Start Capacitor - High Service Factor

P	C	XO	AA	Flange
6.535	15.079	1.142	NPT 1/2"	FC-149
AJ	AK	BD	BF	BB
5.874	4.500	6.535	UNC 3/8"x16	0.157
AH				
2.563				

Single-phase induction motor  
 Frame M56J - IP21

29-SEP-2016

