



Dealers Industrial Equipment

No.:

Date: 29-SEP-2016

Customer :

TECHNICAL PROPOSAL

Single-phase induction motor - Squirrel cage rotor

Product line : Pool & Spa Motors : C-Face - Start Capacitor - High Service Factor

Catalog Number : PCJ107H

List Price : \$263

Notes:

Downloaded from <http://dealerselectric.com>

Generated for Model #PCJ107H

Performed by:

Checked:



Dealers Industrial Equipment

No.:

Date: 29-SEP-2016

DATA SHEET Single-phase induction motor - Squirrel cage rotor

Customer :
 Product line : Pool & Spa Motors : C-Face - Start Capacitor - High Service Factor

Frame : K56J
 Output : 0.75 HP
 Frequency : 60 Hz
 Poles : 2
 Full load speed : 3510 rpm
 Slip : 2.50 %
 Voltage : 115/230 V
 Rated current : 11.2/5.60 A
 Locked rotor current : 70.6/35.3 A
 Locked rotor current (I_L/I_n) : 6.3
 No-load current : 8.30/4.15 A
 Full load torque : 1.11 lb.ft
 Locked rotor torque : 190 %
 Breakdown torque : 340 %
 Design : ---
 Insulation class : B
 Temperature rise : 80 K
 Locked rotor time : 6 s (hot)
 Service factor : 1.50
 Duty cycle : S1
 Ambient temperature : -20°C - +50°C
 Altitude : 1000 m
 Degree of Protection : IP21
 Approximate weight : 27 lb
 Moment of inertia : 0.02966 sq.ft.lb
 Noise level : ---

	D.E.	N.D.E.	Load	Power factor	Efficiency (%)
Bearings	6203 2RS	6203 ZZ	100%	0.66	65.8
Regreasing interval	---	---	75%	0.58	63.0
Grease amount	---	---	50%	0.48	54.0

Notes:
 Downloaded from <http://dealerselectric.com>
 Generated for Model #PCJ107H

Performed by

Checked



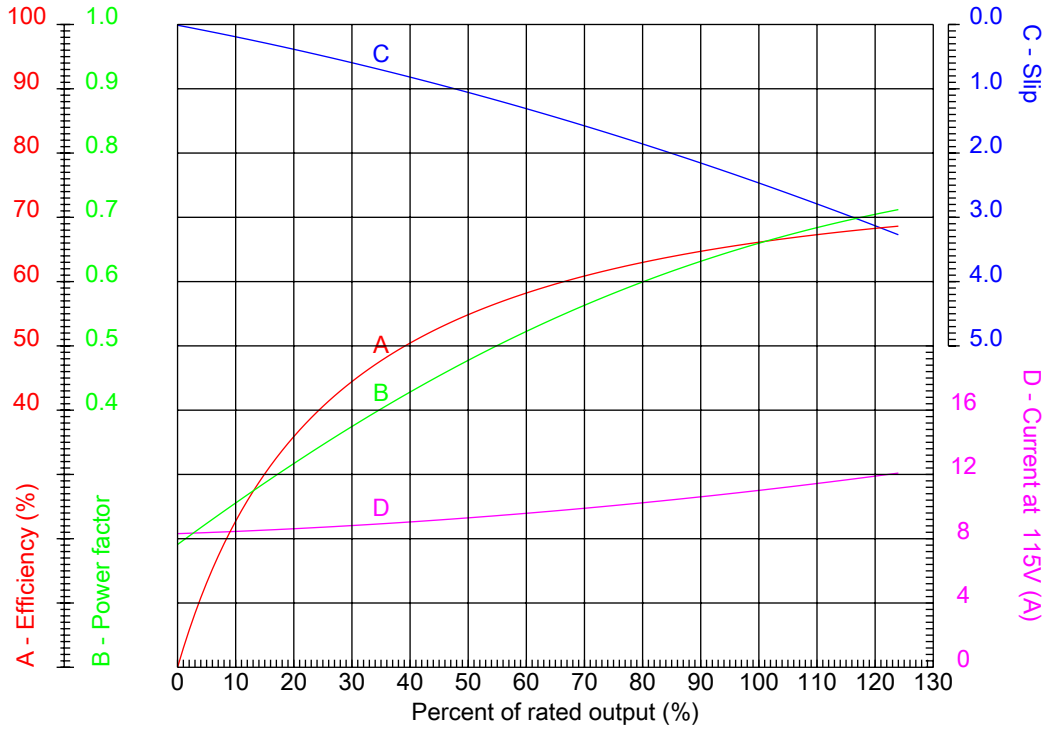
Dealers Industrial Equipment

No.:

Date: 29-SEP-2016

PERFORMANCE CURVES RELATED TO RATED OUTPUT

Single-phase induction motor - Squirrel cage rotor



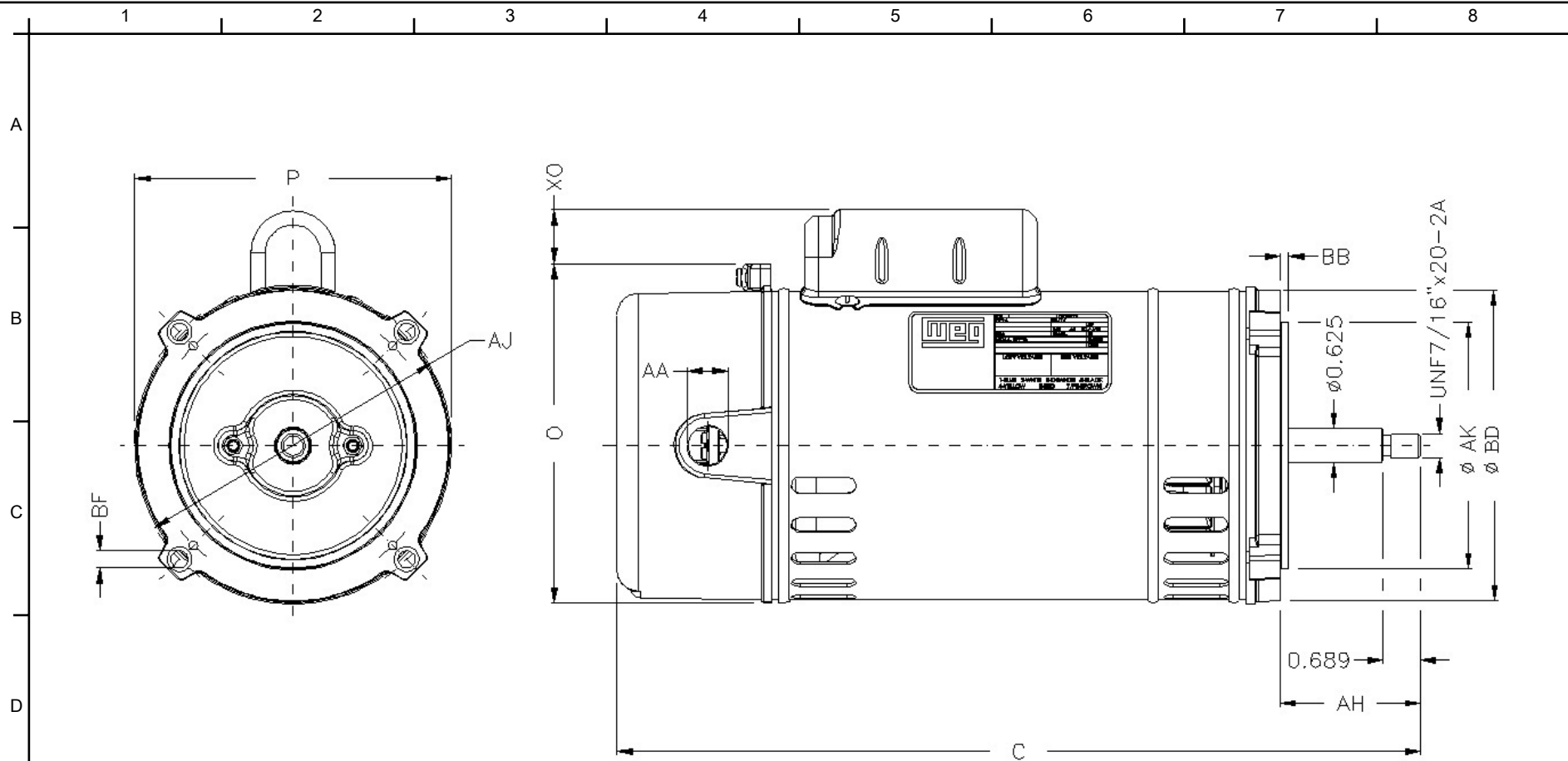
Customer :
 Product line : Pool & Spa Motors : C-Face - Start Capacitor - High Service Factor

Frame	: K56J	Locked rotor current (I _L /I _n)	: 6.3
Output	: 0.75 HP	Duty cycle	: S1
Frequency	: 60 Hz	Service factor	: 1.50
Full load speed	: 3510 rpm	Design	: ---
Voltage	: 115/230 V	Locked rotor torque	: 190 %
Rated current	: 11.2/5.60 A	Breakdown torque	: 340 %
Insulation class	: B		

Notes:
 Downloaded from <http://dealerselectric.com>
 Generated for Model #PCJ107H

Performed by

Checked



Notes: Downloaded from <http://dealerselectric.com>
 Generated for Model #PCJ107H

Performed by:

Checked:

Customer:

Pool & Spa Motors : C-Face - Start Capacitor - High Service Factor

P	C	XO	AA	Flange
5.748	13.898	1.023	NPT 1/2"	FC-149
AJ	AK	BD	BF	BB
5.874	4.500	5.748	UNC 3/8"x16	0.157
AH				
2.563				

Single-phase induction motor
 Frame K56J - IP21

29-SEP-2016

