



Dealers Industrial Equipment

No.:

Date: 29-SEP-2016

Customer :

TECHNICAL PROPOSAL

Single-phase induction motor - Squirrel cage rotor

Product line : Pool & Spa Motors : C-Face - Start Capacitor - Low Service Factor

Catalog Number : PCJ107

List Price : \$236

Notes:

Downloaded from <http://dealerselectric.com>

Generated for Model #PCJ107

Performed by:

Checked:



# Dealers Industrial Equipment

No.:

Date: 29-SEP-2016

## DATA SHEET Single-phase induction motor - Squirrel cage rotor

Customer :  
 Product line : Pool & Spa Motors : C-Face - Start Capacitor - Low Service Factor

Frame : K56J  
 Output : 0.75 HP  
 Frequency : 60 Hz  
 Poles : 2  
 Full load speed : 3465 rpm  
 Slip : 3.75 %  
 Voltage : 115/230 V  
 Rated current : 10.2/5.10 A  
 Locked rotor current : 54.1/27.0 A  
 Locked rotor current (I<sub>L</sub>/I<sub>n</sub>) : 5.3  
 No-load current : 7.70/3.85 A  
 Full load torque : 1.12 lb.ft  
 Locked rotor torque : 140 %  
 Breakdown torque : 260 %  
 Design : ---  
 Insulation class : B  
 Temperature rise : 80 K  
 Locked rotor time : 6 s (hot)  
 Service factor : 1.30  
 Duty cycle : S1  
 Ambient temperature : -20°C - +50°C  
 Altitude : 1000 m  
 Degree of Protection : IP21  
 Approximate weight : 23 lb  
 Moment of inertia : 0.02326 sq.ft.lb  
 Noise level : ---

	D.E.	N.D.E.
Bearings	6203 2RS	6203 ZZ
Regreasing interval	---	---
Grease amount	---	---

Load	Power factor	Efficiency (%)
100%	0.72	66.2
75%	0.63	62.5
50%	0.53	55.0

Notes:  
 Downloaded from <http://dealerselectric.com>  
 Generated for Model #PCJ107

Performed by

Checked



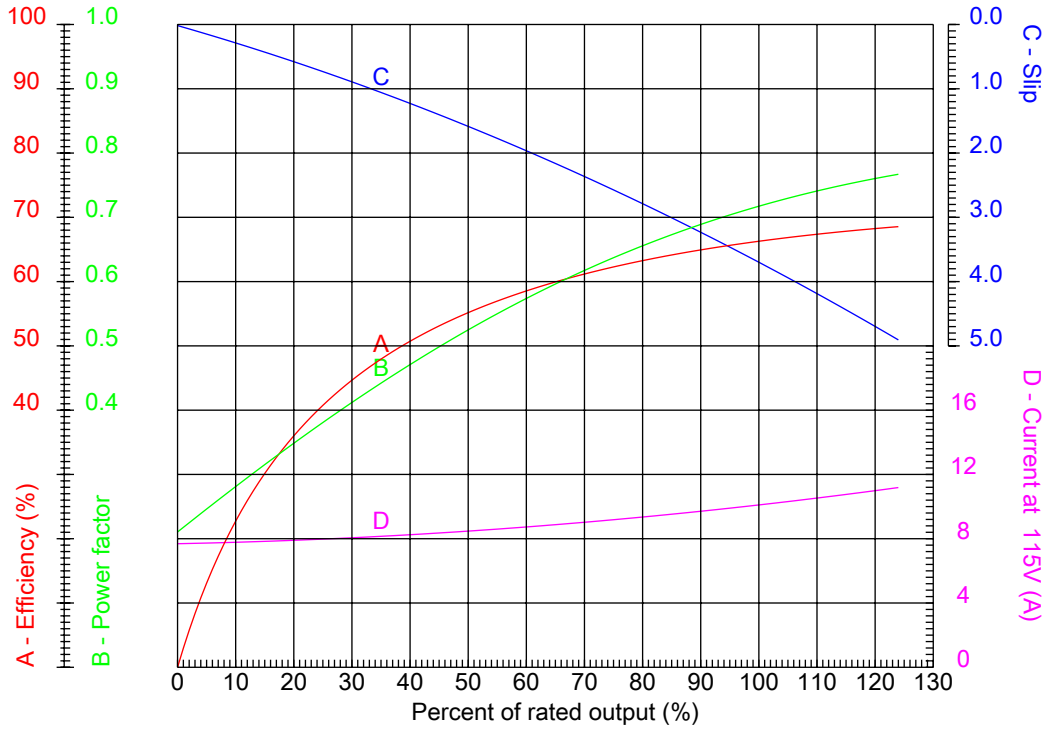
# Dealers Industrial Equipment

No.:

Date: 29-SEP-2016

## PERFORMANCE CURVES RELATED TO RATED OUTPUT

Single-phase induction motor - Squirrel cage rotor



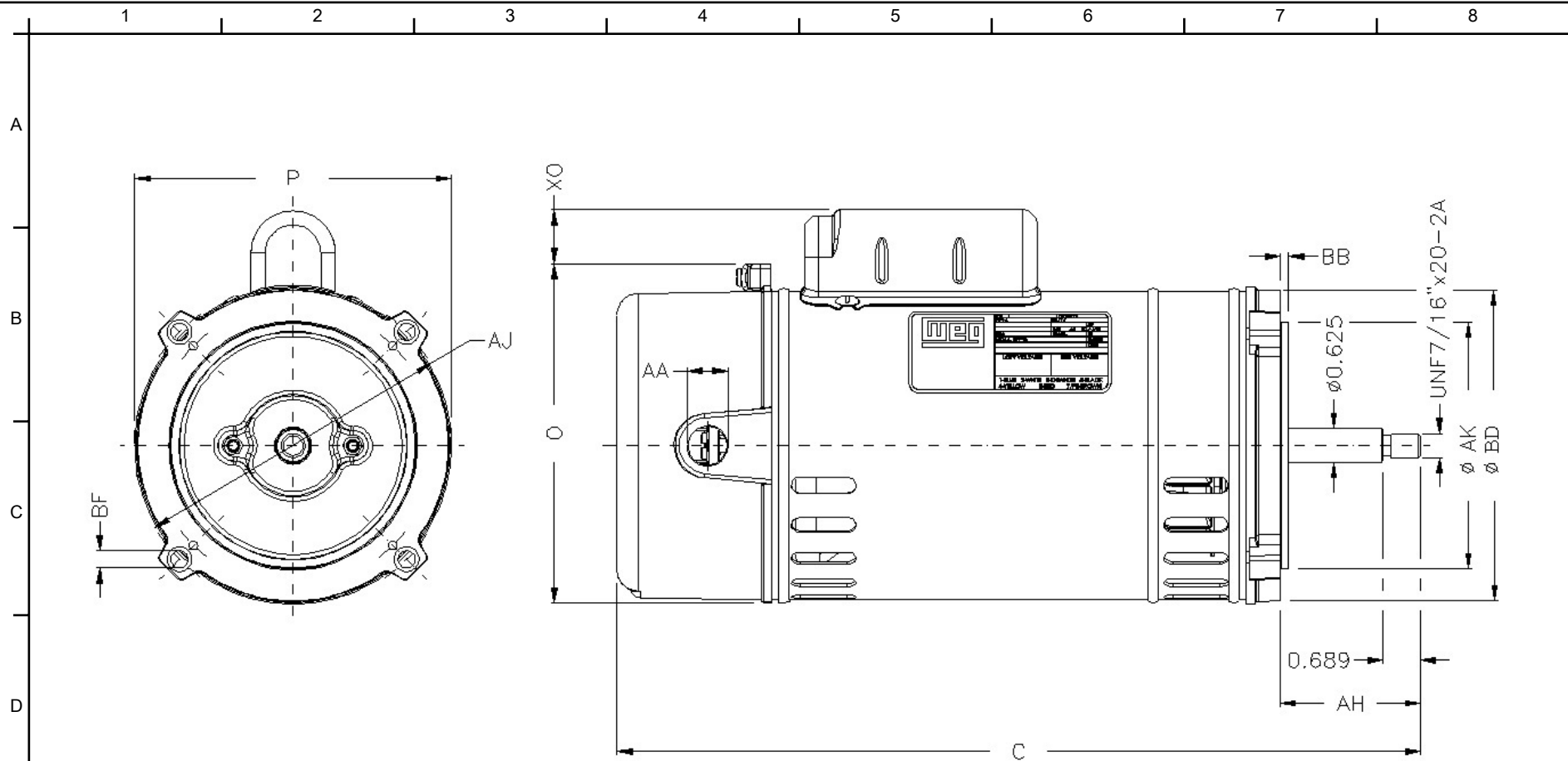
Customer :  
 Product line : Pool & Spa Motors : C-Face - Start Capacitor - Low Service Factor

Frame	: K56J	Locked rotor current (I <sub>l</sub> /I <sub>n</sub> )	: 5.3
Output	: 0.75 HP	Duty cycle	: S1
Frequency	: 60 Hz	Service factor	: 1.30
Full load speed	: 3465 rpm	Design	: ---
Voltage	: 115/230 V	Locked rotor torque	: 140 %
Rated current	: 10.2/5.10 A	Breakdown torque	: 260 %
Insulation class	: B		

Notes:  
 Downloaded from <http://dealerselectric.com>  
 Generated for Model #PCJ107

Performed by

Checked



Notes: Downloaded from <http://dealerselectric.com>  
 Generated for Model #PCJ107

Performed by:

Checked:

Customer:

Pool & Spa Motors : C-Face - Start Capacitor - Low Service Factor

P	C	XO	AA	Flange
5.748	13.898	1.023	NPT 1/2"	FC-149
AJ	AK	BD	BF	BB
5.874	4.500	5.748	UNC 3/8"x16	0.157
AH				
2.563				

Single-phase induction motor  
 Frame K56J - IP21

29-SEP-2016

