



Dealers Industrial Equipment

No.:

Date: 29-SEP-2016

Customer :

TECHNICAL PROPOSAL

Three-phase induction motor - Squirrel cage rotor

Product line : W22 NEMA Premium - Ball Bearings

Catalog Number : 70036ET3G588/9S-W22

List Price : \$71,254

Notes:

Downloaded from <http://dealerselectric.com>

Generated for Model #70036ET3G588/9S-W22

Performed by:

Checked:



Dealers Industrial Equipment

No.:

Date: 29-SEP-2016

DATA SHEET Three-phase induction motor - Squirrel cage rotor

Customer :
Product line : W22 NEMA Premium - Ball Bearings

Frame : 588/9TS
Output : 700 HP
Frequency : 60 Hz
Poles : 2
Full load speed : 3585 rpm
Slip : 0.42 %
Voltage : 460 V
Rated current : 736 A
Locked rotor current : 5300 A
Locked rotor current (I_L/I_n) : 7.2
No-load current : 155 A
Full load torque : 1012 lb.ft
Locked rotor torque : 230 %
Breakdown torque : 250 %
Design : B
Insulation class : F
Temperature rise : 105 K
Locked rotor time : 34 s (hot)
Service factor : 1.00
Duty cycle : S1
Ambient temperature : -20°C - +40°C
Altitude : 1000 m
Degree of Protection : IP55
Approximate weight : 4805 lb
Moment of inertia : 183.20 sq.ft.lb
Noise level : 89 dB(A)

	D.E.	N.D.E.
Bearings	6314 C3	6314 C3
Regreasing interval	4000 h	4000 h
Grease amount	27 g	27 g

Load	Power factor	Efficiency (%)
100%	0.91	96.6
75%	0.90	96.6
50%	0.86	96.2

Notes:

Downloaded from <http://dealerselectric.com>
Generated for Model #70036ET3G588/9S-W22

Performed by

Checked



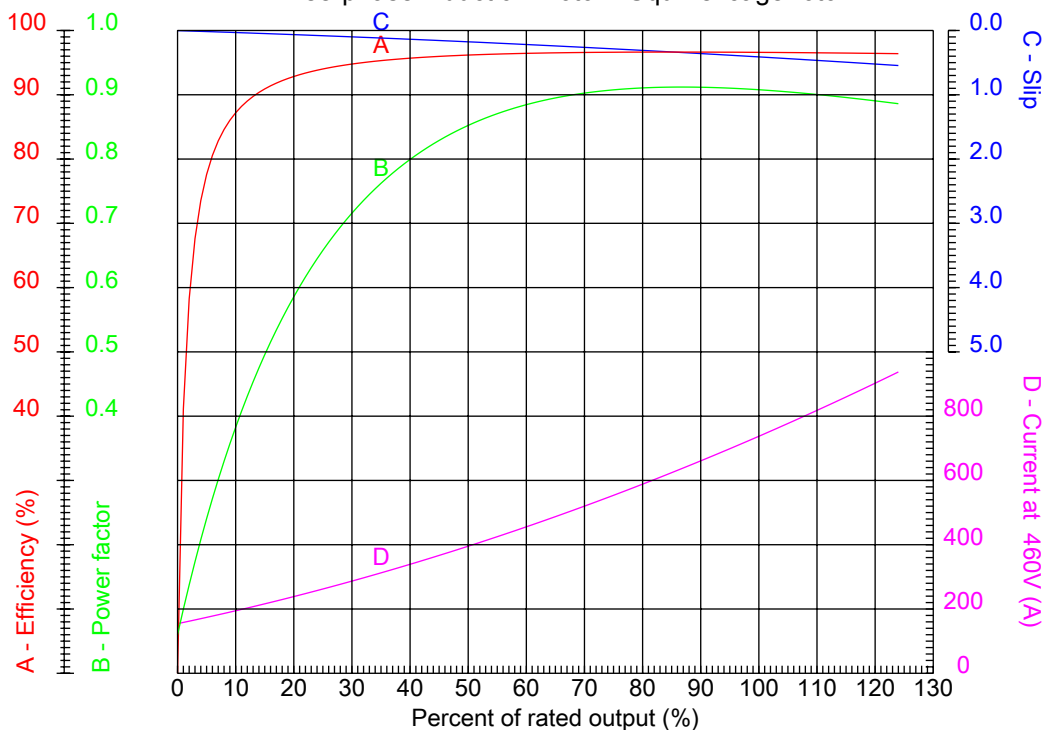
Dealers Industrial Equipment

No.:

Date: 29-SEP-2016

PERFORMANCE CURVES RELATED TO RATED OUTPUT

Three-phase induction motor - Squirrel cage rotor



Customer :
Product line : W22 NEMA Premium - Ball Bearings

Frame	: 588/9TS	Locked rotor current (I _l /I _n)	: 7.2
Output	: 700 HP	Duty cycle	: S1
Frequency	: 60 Hz	Service factor	: 1.00
Full load speed	: 3585 rpm	Design	: B
Voltage	: 460 V	Locked rotor torque	: 230 %
Rated current	: 736 A	Breakdown torque	: 250 %
Insulation class	: F		

Notes:
Downloaded from <http://dealerselectric.com>
Generated for Model #70036ET3G588/9S-W22

Performed by

Checked



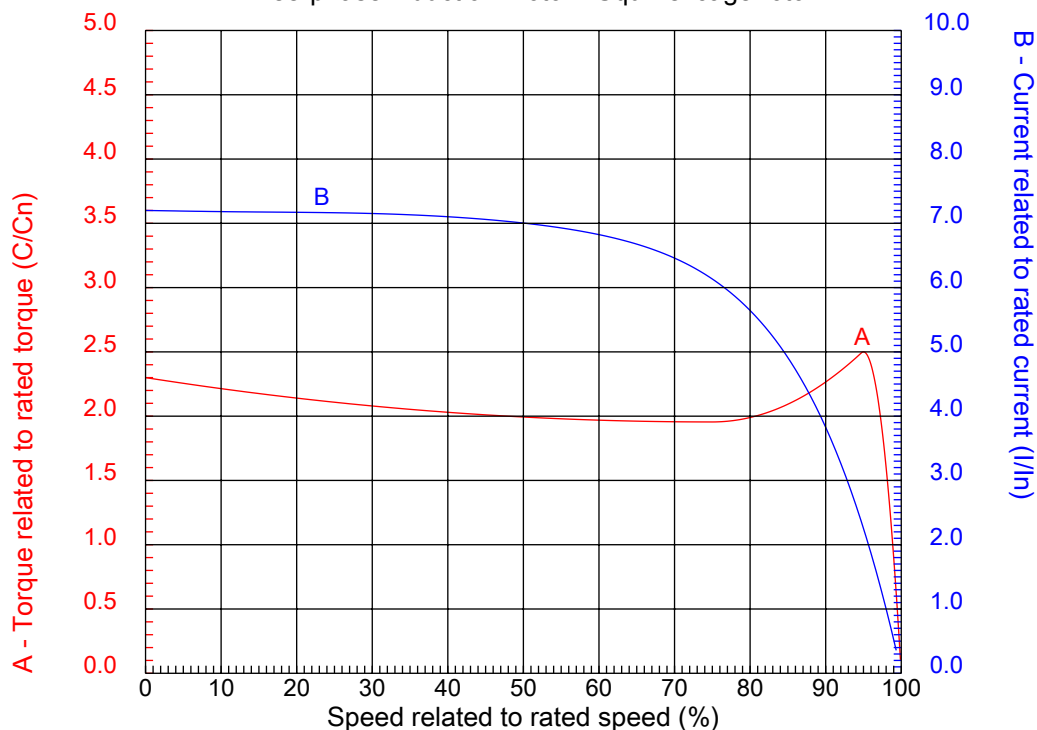
Dealers Industrial Equipment

No.:

Date: 29-SEP-2016

CHARACTERISTIC CURVES RELATED TO SPEED

Three-phase induction motor - Squirrel cage rotor



Customer :
Product line : W22 NEMA Premium - Ball Bearings

Frame	: 588/9TS	Locked rotor current (I _l /I _n)	: 7.2
Output	: 700 HP	Duty cycle	: S1
Frequency	: 60 Hz	Service factor	: 1.00
Full load speed	: 3585 rpm	Design	: B
Voltage	: 460 V	Locked rotor torque	: 230 %
Rated current	: 736 A	Breakdown torque	: 250 %
Insulation class	: F		

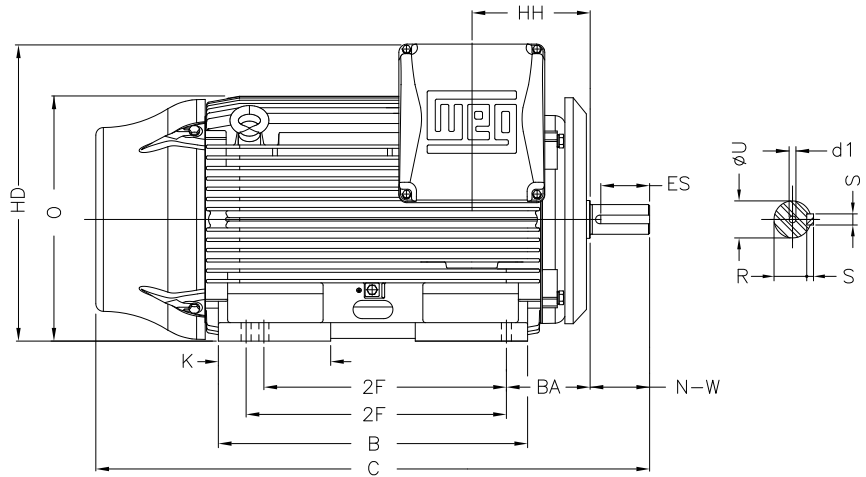
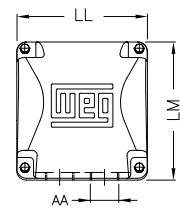
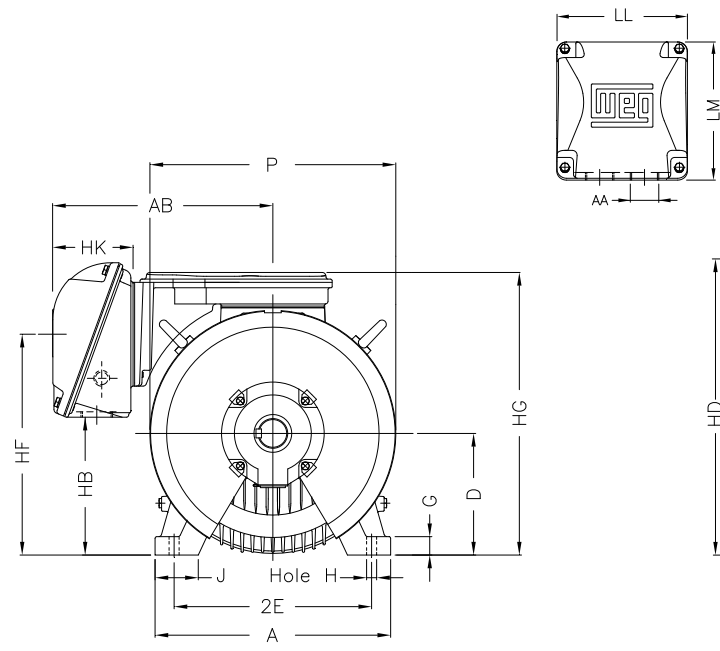
Notes:
Downloaded from <http://dealerselectric.com>
Generated for Model #70036ET3G588/9S-W22

Performed by

Checked

1 2 3 4 5 6 7 8

A
B
C
D
E
F



Notes: Downloaded from <http://dealerselectric.com>
Generated for Model #70036ET3G588/9S-W22

2E 23.000	J 5.512	A 29.528	P 28.977	AB 27.440
2F 28.000/32.000	K 13.030	B 37.980	BA 10.000	U 2.375
N-W 4.750	ES 3.000	S 0.625	R 2.021	depth 0.625
D 14.500	G 2.492	HB 16.338	O 28.985	HD 37.755
HF 26.182	HG 35.236	HH 13.346	HK 11.417	EV 2.756
H 1.181	C 62.506	LL 18.110	LM 21.417	AA 2xNPT 4"
d1 DUNC 3/4"-10				

Performed by:
Checked:
Customer:
W22 NEMA Premium - Ball Bearings
Three-phase induction motor
Frame 588/9TS - IP55
29-SEP-2016



1 2 3 4 5 6 7 8

A

PART-WINDING

WYE-DELTA

START

RUN

START

RUN

B



C

L1 L2 L3

L1 L2 L3

L1 L2 L3

L1 L2 L3

D

E

F

Notes: Downloaded from <http://dealerselectric.com>
Generated for Model #70036ET3G588/9S-W22

Performed by:

Checked:

Customer:

W22 NEMA Premium - Ball Bearings

Three-phase induction motor
Frame 588/9TS - IP55

29-SEP-2016

