



Dealers Industrial Equipment

No.:

Date: 29-SEP-2016

Customer :

TECHNICAL PROPOSAL

Three-phase induction motor - Squirrel cage rotor

Product line : W22 NEMA Premium - Ball Bearings

Catalog Number : 65036ET3G588/9S-W22

List Price : \$66,835

Notes:

Downloaded from <http://dealerselectric.com>

Generated for Model #65036ET3G588/9S-W22

Performed by:

Checked:



Dealers Industrial Equipment

No.:

Date: 29-SEP-2016

DATA SHEET Three-phase induction motor - Squirrel cage rotor

Customer :
 Product line : W22 NEMA Premium - Ball Bearings

Frame : 588/9TS
 Output : 650 HP
 Frequency : 60 Hz
 Poles : 2
 Full load speed : 3585 rpm
 Slip : 0.42 %
 Voltage : 460 V
 Rated current : 685 A
 Locked rotor current : 4860 A
 Locked rotor current (I_L/I_n) : 7.1
 No-load current : 140 A
 Full load torque : 939 lb.ft
 Locked rotor torque : 200 %
 Breakdown torque : 240 %
 Design : B
 Insulation class : F
 Temperature rise : 80 K
 Locked rotor time : 56 s (hot)
 Service factor : 1.00
 Duty cycle : S1
 Ambient temperature : -20°C - +40°C
 Altitude : 1000 m
 Degree of Protection : IP55
 Approximate weight : 4635 lb
 Moment of inertia : 175.60 sq.ft.lb
 Noise level : 89 dB(A)

| | D.E. | N.D.E. | Load | Power factor | Efficiency (%) |
|---------------------|---------|---------|------|--------------|----------------|
| Bearings | 6314 C3 | 6314 C3 | 100% | 0.91 | 96.6 |
| Regreasing interval | 4000 h | 4000 h | 75% | 0.90 | 96.6 |
| Grease amount | 27 g | 27 g | 50% | 0.86 | 96.1 |

Notes:
 Downloaded from <http://dealerselectric.com>
 Generated for Model #65036ET3G588/9S-W22

Performed by

Checked



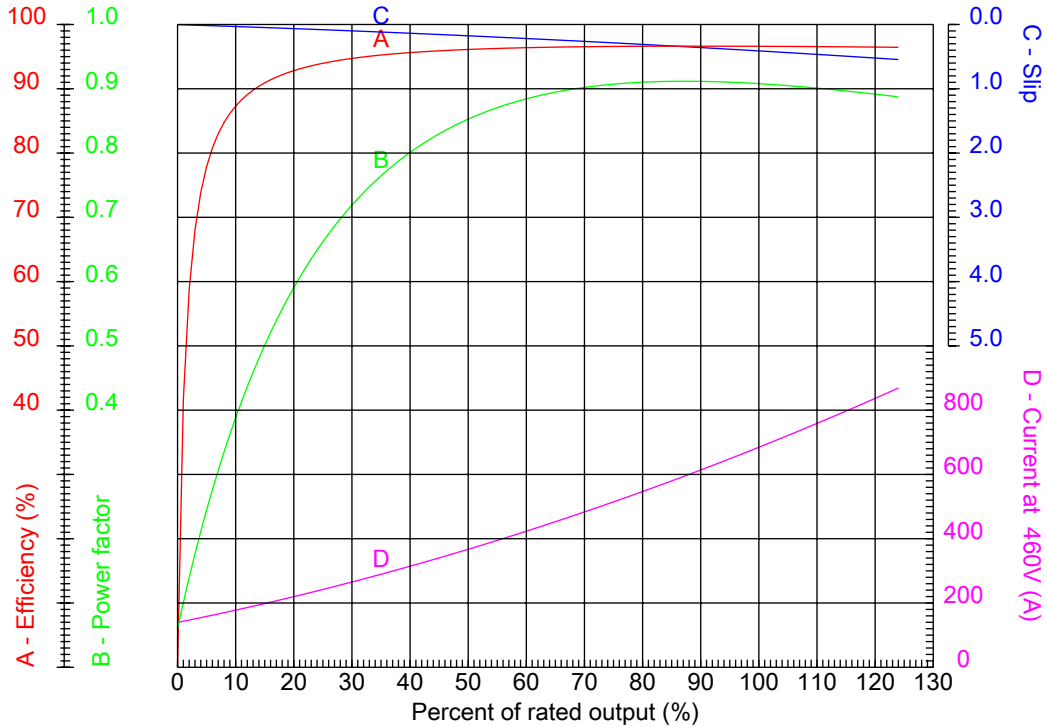
Dealers Industrial Equipment

No.:

Date: 29-SEP-2016

PERFORMANCE CURVES RELATED TO RATED OUTPUT

Three-phase induction motor - Squirrel cage rotor



Customer :
Product line : W22 NEMA Premium - Ball Bearings

| | |
|----------------------------|--|
| Frame : 588/9TS | Locked rotor current (I _l /I _n) : 7.1 |
| Output : 650 HP | Duty cycle : S1 |
| Frequency : 60 Hz | Service factor : 1.00 |
| Full load speed : 3585 rpm | Design : B |
| Voltage : 460 V | Locked rotor torque : 200 % |
| Rated current : 685 A | Breakdown torque : 240 % |
| Insulation class : F | |

Notes:
Downloaded from <http://dealerselectric.com>
Generated for Model #65036ET3G588/9S-W22

Performed by

Checked



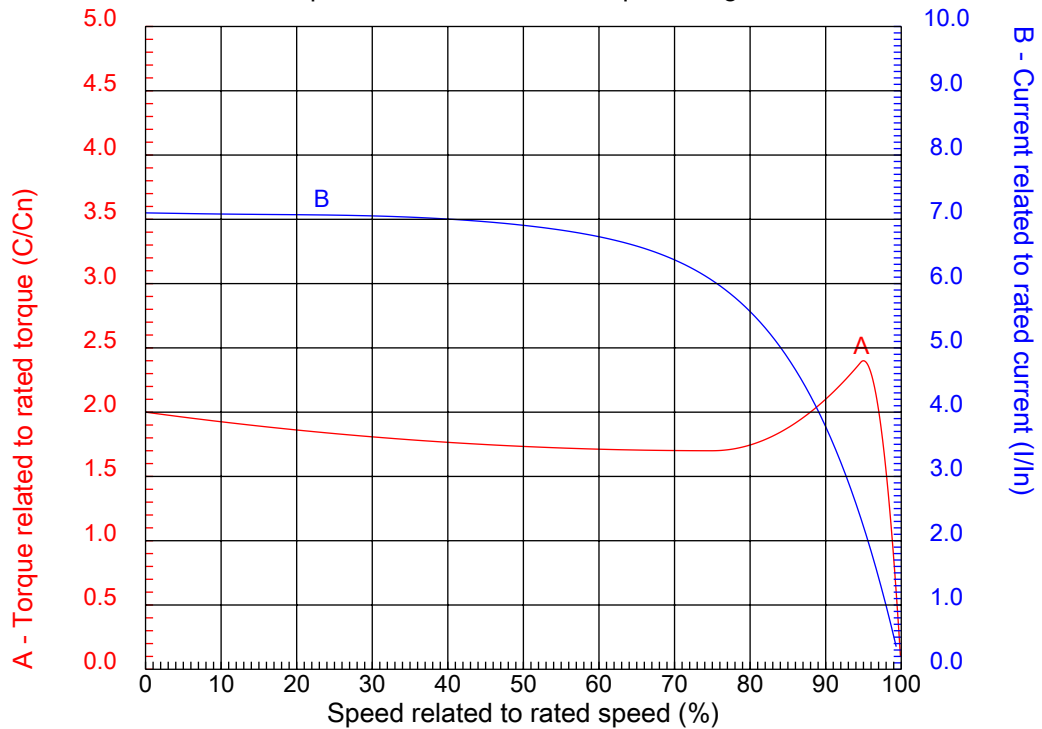
Dealers Industrial Equipment

No.:

Date: 29-SEP-2016

CHARACTERISTIC CURVES RELATED TO SPEED

Three-phase induction motor - Squirrel cage rotor



Customer :
Product line : W22 NEMA Premium - Ball Bearings

| | | | |
|------------------|------------|--|---------|
| Frame | : 588/9TS | Locked rotor current (I _l /I _n) | : 7.1 |
| Output | : 650 HP | Duty cycle | : S1 |
| Frequency | : 60 Hz | Service factor | : 1.00 |
| Full load speed | : 3585 rpm | Design | : B |
| Voltage | : 460 V | Locked rotor torque | : 200 % |
| Rated current | : 685 A | Breakdown torque | : 240 % |
| Insulation class | : F | | |

Notes:
Downloaded from <http://dealerselectric.com>
Generated for Model #65036ET3G588/9S-W22

Performed by

Checked

1 2 3 4 5 6 7 8

A

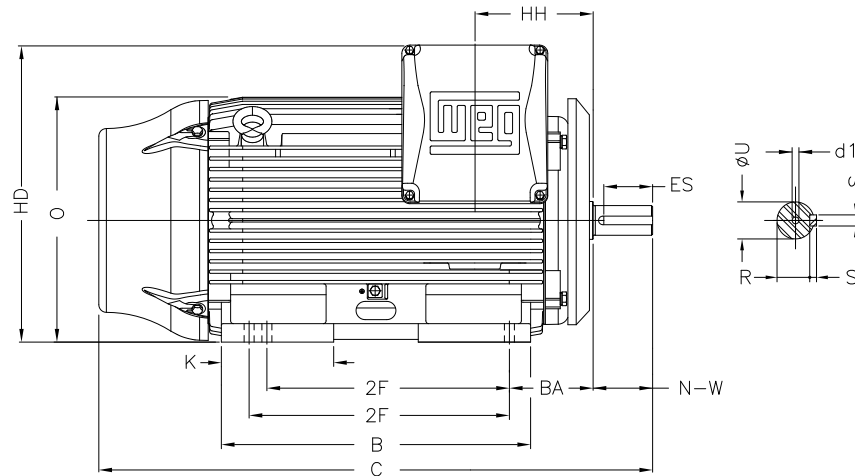
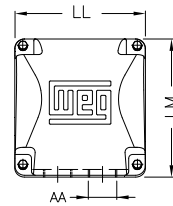
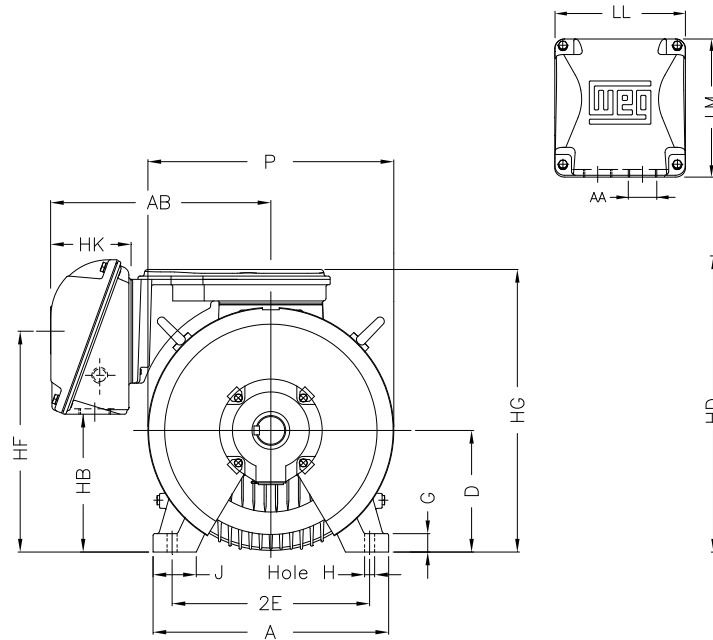
B

C

D

E

F



Notes: Downloaded from <http://dealerselectric.com>
Generated for Model #65036ET3G588/9S-W22

| | | | | |
|---------------------|--------------|--------------|--------------|----------------|
| 2E 23.000 | J 5.512 | A 29.528 | P 28.977 | AB 27.440 |
| 2F 28.000/32.000 | K 13.030 | B 37.980 | BA 10.000 | U 2.375 |
| N-W 4.750 | ES 3.000 | S 0.625 | R 2.021 | depth 0.625 |
| D 14.500 | G 2.492 | HB 16.338 | O 28.985 | HD 37.755 |
| HF 26.182 | HG 35.236 | HH 13.346 | HK 11.417 | EV 2.756 |
| H 1.181 | C 62.506 | LL 18.110 | LM 21.417 | AA 2xNPT 4" |
| d1 DUNC 3/4"-10 | | | | |

Performed by:

Checked:

Customer:

W22 NEMA Premium - Ball Bearings

Three-phase induction motor
Frame 588/9TS - IP55

29-SEP-2016



1 2 3 4 5 6 7 8

A

PART-WINDING

WYE-DELTA

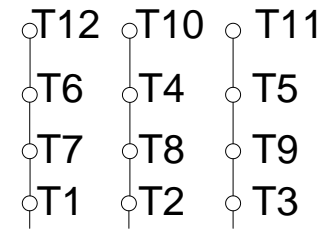
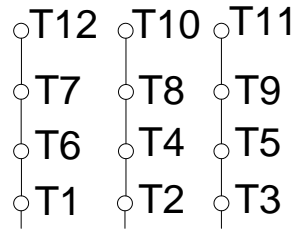
START

RUN

START

RUN

B



C

L1 L2 L3

L1 L2 L3

L1 L2 L3

L1 L2 L3

D

E

Notes: Downloaded from <http://dealerselectric.com>
 Generated for Model #65036ET3G588/9S-W22

Performed by:

Checked:

Customer:

W22 NEMA Premium - Ball Bearings

F

Three-phase induction motor
Frame 588/9TS - IP55

29-SEP-2016

