



# Dealers Industrial Equipment

No.:

Date: 29-SEP-2016

Customer :

## TECHNICAL PROPOSAL

### Three-phase induction motor - Squirrel cage rotor

Product line : W22 NEMA Premium - Ball Bearings

Catalog Number : 60036ET3G588/9S-W22

List Price : \$64,635

#### Notes:

Downloaded from <http://dealerselectric.com>

Generated for Model #60036ET3G588/9S-W22

Performed by:

Checked:



# Dealers Industrial Equipment

No.:

Date: 29-SEP-2016

## DATA SHEET Three-phase induction motor - Squirrel cage rotor

Customer :  
 Product line : W22 NEMA Premium - Ball Bearings

Frame : 588/9TS  
 Output : 600 HP  
 Frequency : 60 Hz  
 Poles : 2  
 Full load speed : 3585 rpm  
 Slip : 0.42 %  
 Voltage : 460 V  
 Rated current : 650 A  
 Locked rotor current : 4810 A  
 Locked rotor current (I<sub>L</sub>/I<sub>n</sub>) : 7.4  
 No-load current : 155 A  
 Full load torque : 867 lb.ft  
 Locked rotor torque : 230 %  
 Breakdown torque : 270 %  
 Design : B  
 Insulation class : F  
 Temperature rise : 80 K  
 Locked rotor time : 33 s (hot)  
 Service factor : 1.00  
 Duty cycle : S1  
 Ambient temperature : -20°C - +40°C  
 Altitude : 1000 m  
 Degree of Protection : IP55  
 Approximate weight : 4410 lb  
 Moment of inertia : 155.23 sq.ft.lb  
 Noise level : 89 dB(A)

	D.E.	N.D.E.
Bearings	6314 C3	6314 C3
Regreasing interval	4000 h	4000 h
Grease amount	27 g	27 g

Load	Power factor	Efficiency (%)
100%	0.90	96.5
75%	0.89	96.5
50%	0.84	96.0

Notes:  
 Downloaded from <http://dealerselectric.com>  
 Generated for Model #60036ET3G588/9S-W22

Performed by

Checked



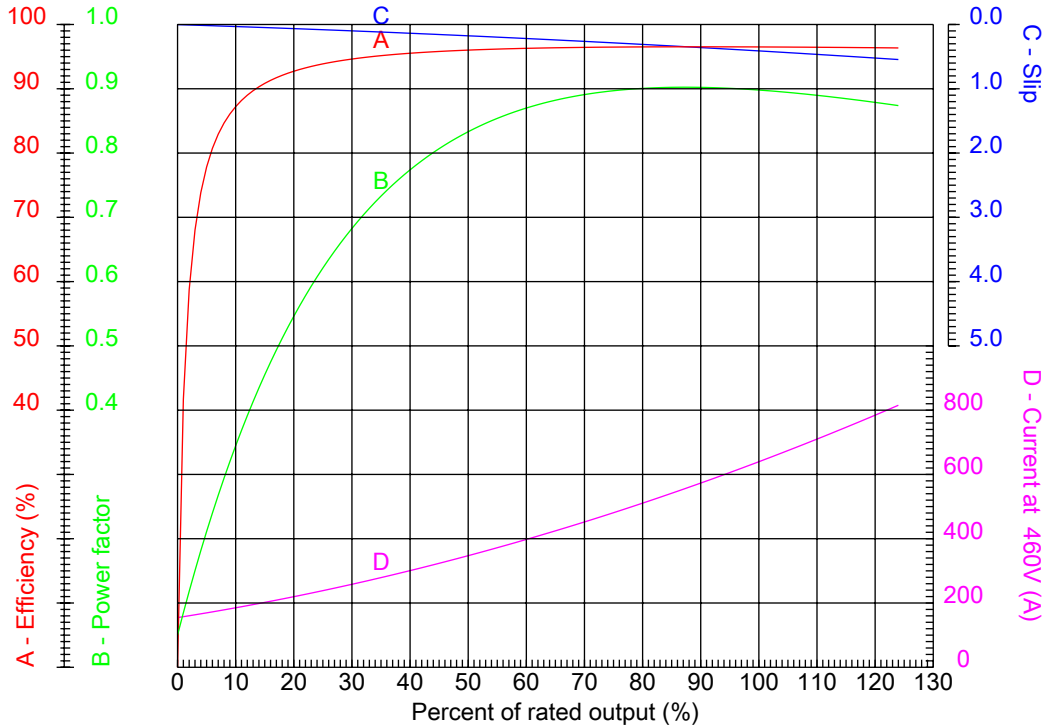
# Dealers Industrial Equipment

No.:

Date: 29-SEP-2016

## PERFORMANCE CURVES RELATED TO RATED OUTPUT

Three-phase induction motor - Squirrel cage rotor



Customer :  
Product line : W22 NEMA Premium - Ball Bearings

Frame	: 588/9TS	Locked rotor current (I <sub>l</sub> /I <sub>n</sub> )	: 7.4
Output	: 600 HP	Duty cycle	: S1
Frequency	: 60 Hz	Service factor	: 1.00
Full load speed	: 3585 rpm	Design	: B
Voltage	: 460 V	Locked rotor torque	: 230 %
Rated current	: 650 A	Breakdown torque	: 270 %
Insulation class	: F		

Notes:  
Downloaded from <http://dealerselectric.com>  
Generated for Model #60036ET3G588/9S-W22

Performed by

Checked



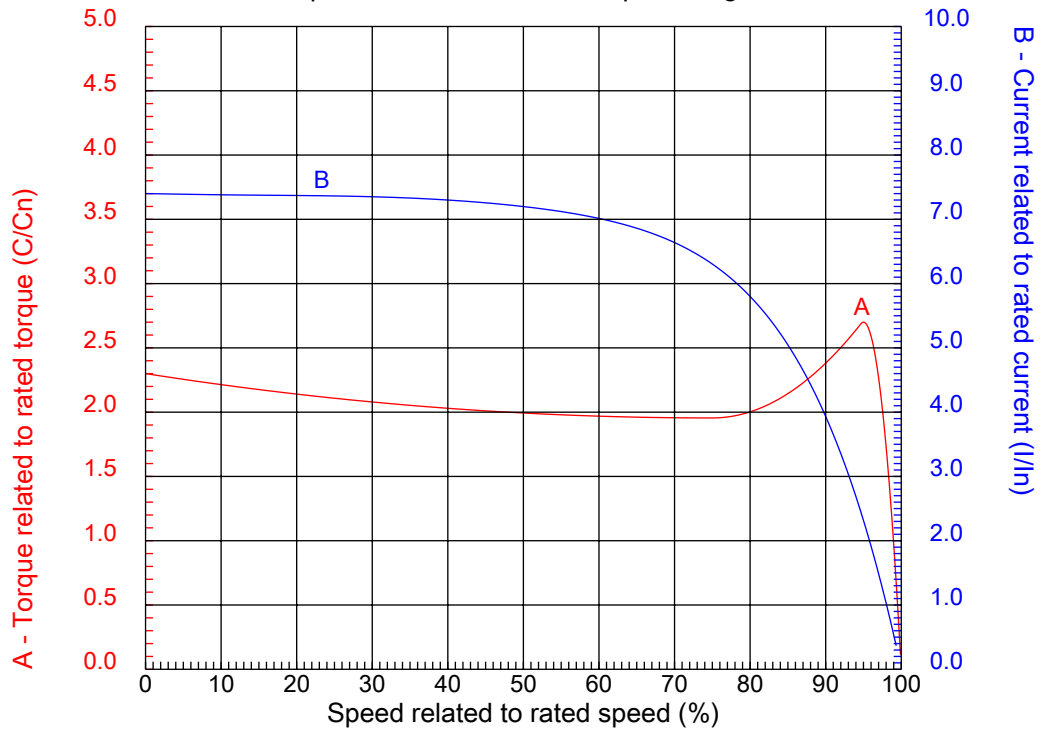
# Dealers Industrial Equipment

No.:

Date: 29-SEP-2016

## CHARACTERISTIC CURVES RELATED TO SPEED

Three-phase induction motor - Squirrel cage rotor



Customer :  
Product line : W22 NEMA Premium - Ball Bearings

Frame	: 588/9TS	Locked rotor current (I <sub>l</sub> /I <sub>n</sub> )	: 7.4
Output	: 600 HP	Duty cycle	: S1
Frequency	: 60 Hz	Service factor	: 1.00
Full load speed	: 3585 rpm	Design	: B
Voltage	: 460 V	Locked rotor torque	: 230 %
Rated current	: 650 A	Breakdown torque	: 270 %
Insulation class	: F		

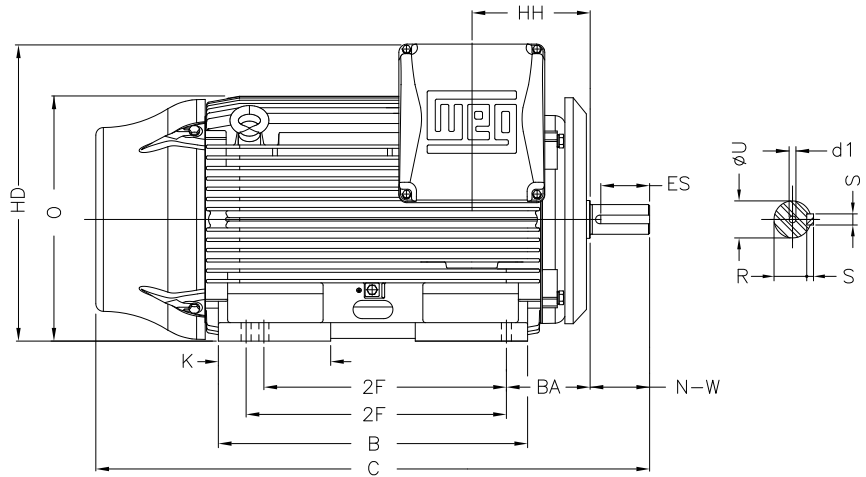
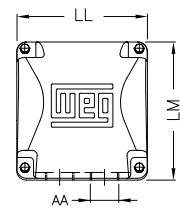
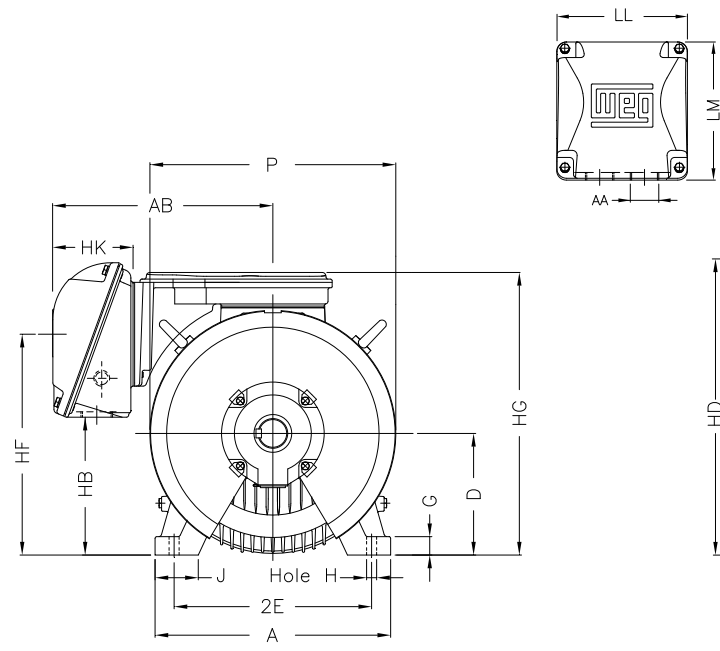
Notes:  
Downloaded from <http://dealerselectric.com>  
Generated for Model #60036ET3G588/9S-W22

Performed by

Checked

1 2 3 4 5 6 7 8

A  
B  
C  
D  
E  
F



Notes: Downloaded from <http://dealerselectric.com>  
Generated for Model #60036ET3G588/9S-W22

2E 23.000	J 5.512	A 29.528	P 28.977	AB 27.440
2F 28.000/32.000	K 13.030	B 37.980	BA 10.000	U 2.375
N-W 4.750	ES 3.000	S 0.625	R 2.021	depth 0.625
D 14.500	G 2.492	HB 16.338	O 28.985	HD 37.755
HF 26.182	HG 35.236	HH 13.346	HK 11.417	EV 2.756
H 1.181	C 62.506	LL 18.110	LM 21.417	AA 2xNPT 4"
d1 DUNC 3/4"-10				

Performed by:  
Checked:  
Customer:  
W22 NEMA Premium - Ball Bearings  
Three-phase induction motor  
Frame 588/9TS - IP55  
29-SEP-2016



1 2 3 4 5 6 7 8

A

### PART-WINDING

### WYE-DELTA

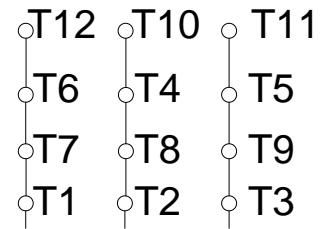
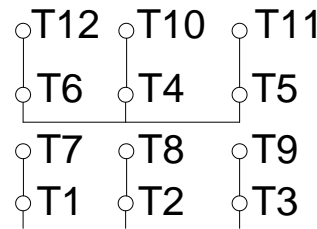
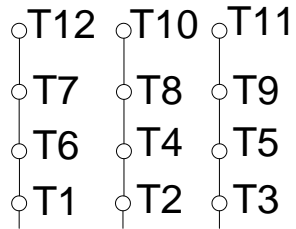
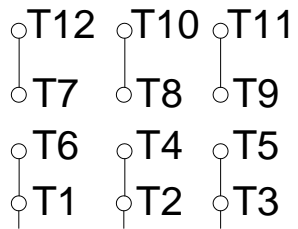
#### START

#### RUN

#### START

#### RUN

B



C

L1 L2 L3

L1 L2 L3

L1 L2 L3

L1 L2 L3

D

E

Notes: Downloaded from <http://dealerselectric.com>  
Generated for Model #60036ET3G588/9S-W22

Performed by:

Checked:

Customer:

W22 NEMA Premium - Ball Bearings

F

Three-phase induction motor  
Frame 588/9TS - IP55

29-SEP-2016

