



Dealers Industrial Equipment

No.:

Date: 29-SEP-2016

Customer :

TECHNICAL PROPOSAL

Three-phase induction motor - Squirrel cage rotor

Product line : W22 NEMA Premium - Ball Bearings

Catalog Number : 50036ET3G586/7S-W22

List Price : \$56,305

Notes:

Downloaded from <http://dealerselectric.com>

Generated for Model #50036ET3G586/7S-W22

Performed by:

Checked:



Dealers Industrial Equipment

No.:

Date: 29-SEP-2016

DATA SHEET Three-phase induction motor - Squirrel cage rotor

Customer :
 Product line : W22 NEMA Premium - Ball Bearings

Frame : 586/7TS
 Output : 500 HP
 Frequency : 60 Hz
 Poles : 2
 Full load speed : 3580 rpm
 Slip : 0.56 %
 Voltage : 460 V
 Rated current : 530 A
 Locked rotor current : 3600 A
 Locked rotor current (I_L/I_n) : 6.8
 No-load current : 100 A
 Full load torque : 724 lb.ft
 Locked rotor torque : 220 %
 Breakdown torque : 240 %
 Design : B
 Insulation class : F
 Temperature rise : 80 K
 Locked rotor time : 39 s (hot)
 Service factor : 1.15
 Duty cycle : S1
 Ambient temperature : -20°C - +40°C
 Altitude : 1000 m
 Degree of Protection : IP55
 Approximate weight : 4086 lb
 Moment of inertia : 142.51 sq.ft.lb
 Noise level : 84 dB(A)

	D.E.	N.D.E.	Load	Power factor	Efficiency (%)
Bearings	6314 C3	6314 C3	100%	0.91	96.2
Regreasing interval	4000 h	4000 h	75%	0.90	96.2
Grease amount	27 g	27 g	50%	0.88	95.8

Notes:
 Downloaded from <http://dealerselectric.com>
 Generated for Model #50036ET3G586/7S-W22

Performed by

Checked



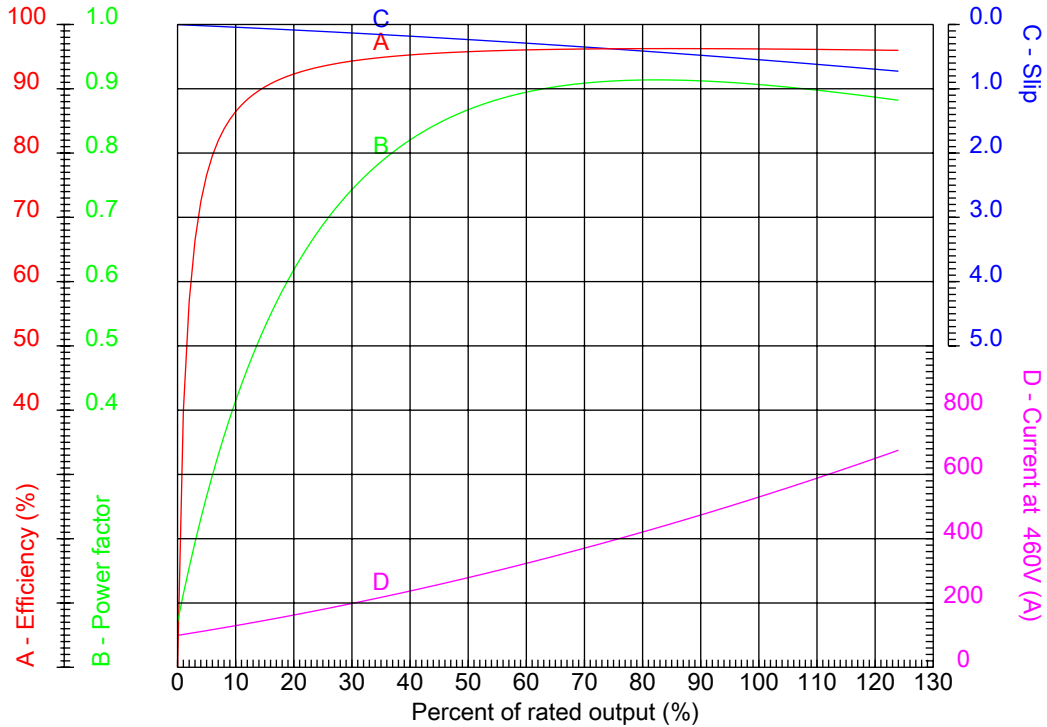
Dealers Industrial Equipment

No.:

Date: 29-SEP-2016

PERFORMANCE CURVES RELATED TO RATED OUTPUT

Three-phase induction motor - Squirrel cage rotor



Customer :
Product line : W22 NEMA Premium - Ball Bearings

Frame : 586/7TS	Locked rotor current (I _l /I _n) : 6.8
Output : 500 HP	Duty cycle : S1
Frequency : 60 Hz	Service factor : 1.15
Full load speed : 3580 rpm	Design : B
Voltage : 460 V	Locked rotor torque : 220 %
Rated current : 530 A	Breakdown torque : 240 %
Insulation class : F	

Notes:
Downloaded from <http://dealerselectric.com>
Generated for Model #50036ET3G586/7S-W22

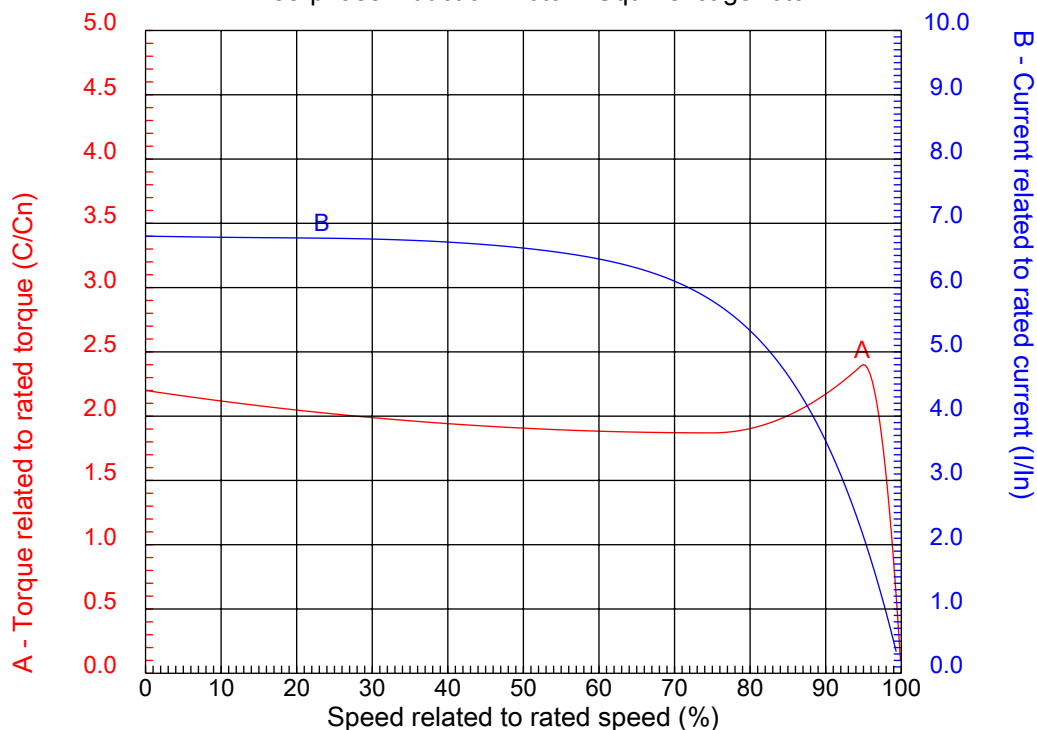
Performed by

Checked



CHARACTERISTIC CURVES RELATED TO SPEED

Three-phase induction motor - Squirrel cage rotor



Customer :
Product line : W22 NEMA Premium - Ball Bearings

Frame	: 586/7TS	Locked rotor current (I _l /I _n)	: 6.8
Output	: 500 HP	Duty cycle	: S1
Frequency	: 60 Hz	Service factor	: 1.15
Full load speed	: 3580 rpm	Design	: B
Voltage	: 460 V	Locked rotor torque	: 220 %
Rated current	: 530 A	Breakdown torque	: 240 %
Insulation class	: F		

Notes:
Downloaded from <http://dealerselectric.com>
Generated for Model #50036ET3G586/7S-W22

Performed by

Checked

1 2 3 4 5 6 7 8

A

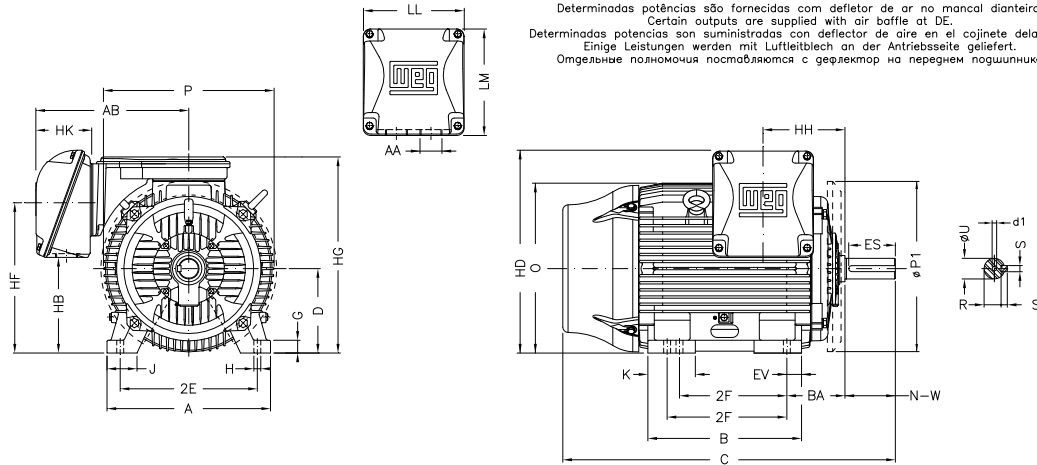
B

C

D

E

F



Determinadas potências são fornecidas com defletor de ar no mancal dianteiro.
 Certain outputs are supplied with air baffle at DE.
 Determinadas potencias son suministradas con deflector de aire en el cojinete delantero.
 Einige Leistungen werden mit Luftblech an der Antriebsseite geliefert.
 Отдельные полнomoчия поставляются с дефлектор на переднем подшипнике.

Notes: Downloaded from <http://dealerselectric.com>
 Generated for Model #50036ET3G586/7S-W22

2E 23.000	J 5.512	A 29.528	P 28.977	AB 23.189
2F 22.000/25.000	K 9.055	B 29.921	BA 10.000	U 2.375
N-W 4.750	ES 3.000	S 0.625	R 2.021	depth 0.625
D 14.500	G 2.492	HB 18.575	O 28.985	HD 35.740
HF 26.732	HG 35.236	HH 13.346	HK 8.661	EV 2.559
H 1.181	C 55.027	LL 15.906	LM 17.165	AA 2xNPT 3"
d1 DUNC 3/4"-10				

Performed by:	
Checked:	
Customer:	
W22 NEMA Premium - Ball Bearings	
Three-phase induction motor Frame 586/7TS - IP55	29-SEP-2016



1 2 3 4 5 6 7 8

A

PART-WINDING

WYE-DELTA

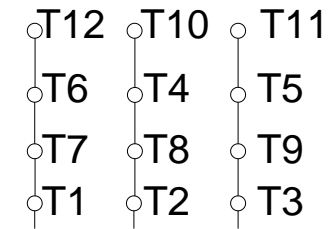
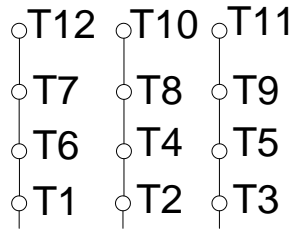
START

RUN

START

RUN

B



C

L1 L2 L3

L1 L2 L3

L1 L2 L3

L1 L2 L3

D

E

F

Notes: Downloaded from <http://dealerselectric.com>
 Generated for Model #50036ET3G586/7S-W22

Performed by:

Checked:

Customer:

W22 NEMA Premium - Ball Bearings

Three-phase induction motor
Frame 586/7TS - IP55

29-SEP-2016

