



Dealers Industrial Equipment

No.:

Date: 29-SEP-2016

Customer :

TECHNICAL PROPOSAL

Three-phase induction motor - Squirrel cage rotor

Product line : Three-Phase : Explosion Proof - High Efficiency

Catalog Number : 50018XP3G586/7

List Price : \$58,405

Notes:

Downloaded from <http://dealerselectric.com>

Generated for Model #50018XP3G586/7

Performed by:

Checked:



Dealers Industrial Equipment

No.:

Date: 29-SEP-2016

DATA SHEET Three-phase induction motor - Squirrel cage rotor

Customer :
Product line : Three-Phase : Explosion Proof - High Efficiency

Frame : 586/7T
Output : 500 HP
Frequency : 60 Hz
Poles : 4
Full load speed : 1790 rpm
Slip : 0.56 %
Voltage : 460 V
Rated current : 564 A
Locked rotor current : 3610 A
Locked rotor current (I_L/I_n) : 6.4
No-load current : 140 A
Full load torque : 1447 lb.ft
Locked rotor torque : 180 %
Breakdown torque : 210 %
Design : B
Insulation class : F
Temperature rise : 105 K
Locked rotor time : 35 s (hot)
Service factor : 1.00
Duty cycle : S1
Ambient temperature : -20°C - +40°C
Altitude : 1000 m
Degree of Protection : IP54
Approximate weight : 4840 lb
Moment of inertia : 255.87 sq.ft.lb
Noise level : 83 dB(A)

	D.E.	N.D.E.
Bearings	6322 C3	6319 C3
Regreasing interval	5138 h	7038 h
Grease amount	60 g	45 g

Load	Power factor	Efficiency (%)
100%	0.86	95.8
75%	0.85	95.4
50%	0.82	95.0

Notes:
Downloaded from <http://dealerselectric.com>
Generated for Model #50018XP3G586/7

Performed by

Checked



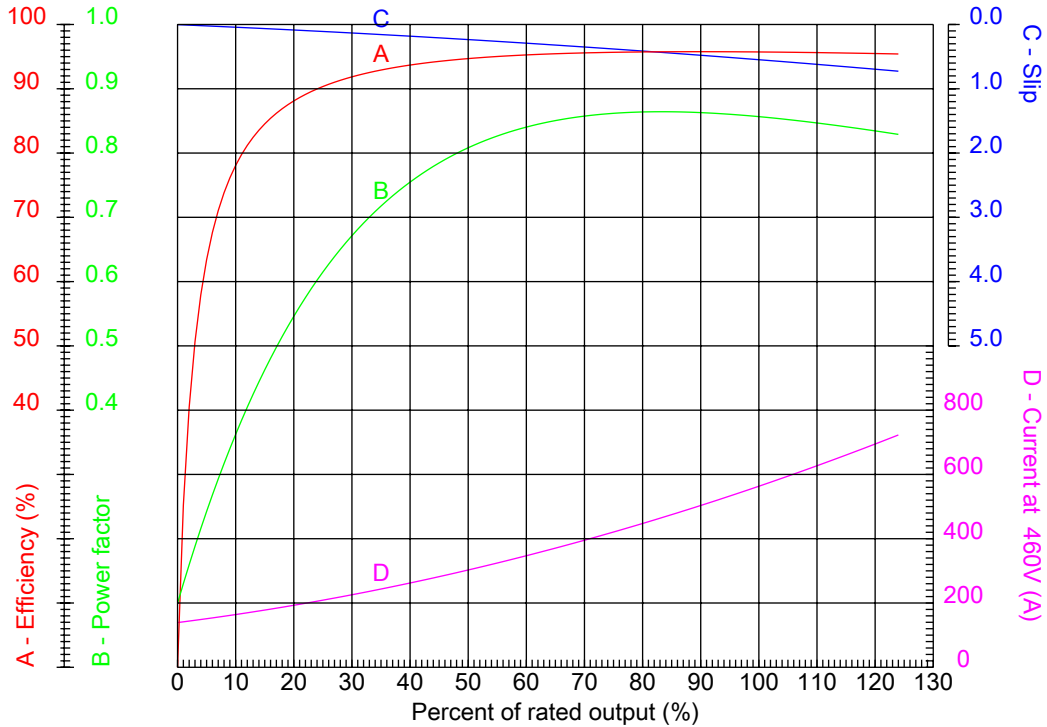
Dealers Industrial Equipment

No.:

Date: 29-SEP-2016

PERFORMANCE CURVES RELATED TO RATED OUTPUT

Three-phase induction motor - Squirrel cage rotor



Customer :
 Product line : Three-Phase : Explosion Proof - High Efficiency

Frame	: 586/7T	Locked rotor current (I _l /I _n)	: 6.4
Output	: 500 HP	Duty cycle	: S1
Frequency	: 60 Hz	Service factor	: 1.00
Full load speed	: 1790 rpm	Design	: B
Voltage	: 460 V	Locked rotor torque	: 180 %
Rated current	: 564 A	Breakdown torque	: 210 %
Insulation class	: F		

Notes:
 Downloaded from <http://dealerselectric.com>
 Generated for Model #50018XP3G586/7

Performed by

Checked



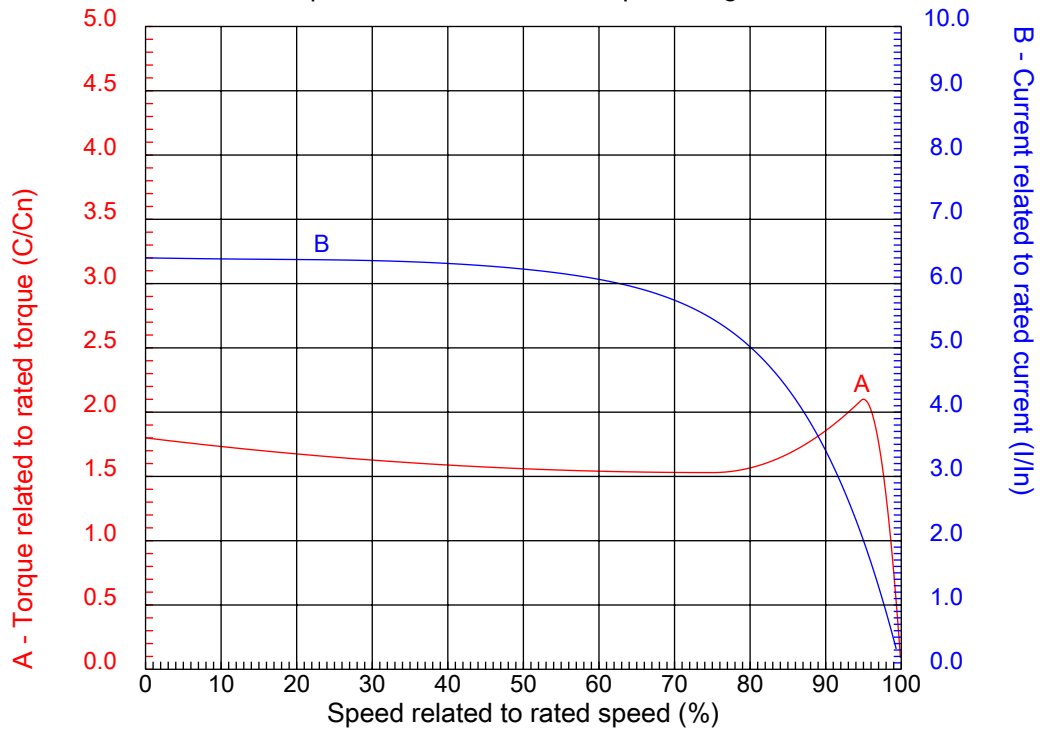
Dealers Industrial Equipment

No.:

Date: 29-SEP-2016

CHARACTERISTIC CURVES RELATED TO SPEED

Three-phase induction motor - Squirrel cage rotor



Customer :
Product line : Three-Phase : Explosion Proof - High Efficiency

Frame	: 586/7T	Locked rotor current (I _l /I _n)	: 6.4
Output	: 500 HP	Duty cycle	: S1
Frequency	: 60 Hz	Service factor	: 1.00
Full load speed	: 1790 rpm	Design	: B
Voltage	: 460 V	Locked rotor torque	: 180 %
Rated current	: 564 A	Breakdown torque	: 210 %
Insulation class	: F		

Notes:
Downloaded from <http://dealerselectric.com>
Generated for Model #50018XP3G586/7

Performed by

Checked

1 2 3 4 5 6 7 8

A

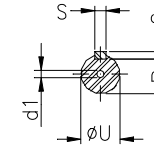
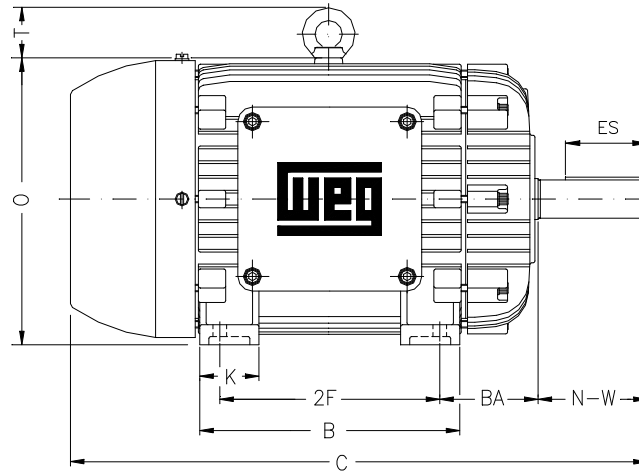
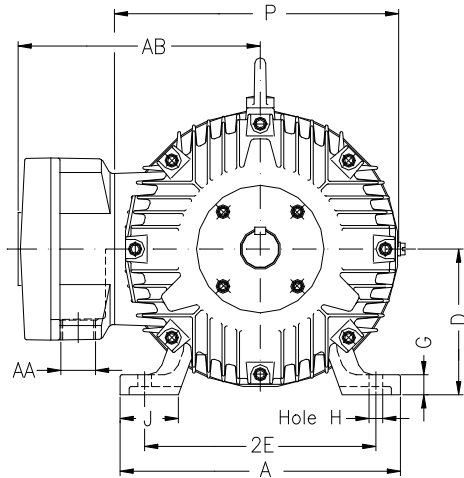
B

C

D

E

F



Notes: Downloaded from <http://dealerselectric.com>
Generated for Model #50018XP3G586/7

Performed by:

Checked:

Customer:

Three-Phase : Explosion Proof - High Efficiency

Three-phase induction motor
Frame 586/7T - IP54

29-SEP-2016



2E 23.000	A 29.528	2F 22.000/25.000	B 29.921	BA 10.00
J 5.236	K 7.874	P 30.709	ES 8.661	depth 1.000
S 1.000	N-W 11.625	U 3.875	R 3.312	AB 25.787
D 14.500	G 2.492	O 30.428	H 1.181	C 61.389
AA 2xNPT 3"	d1 DUNC 7/8"-9	d2 DUNC 3/4"-10	T 4.291	

1 2 3 4 5 6 7 8

A

PART-WINDING

WYE-DELTA

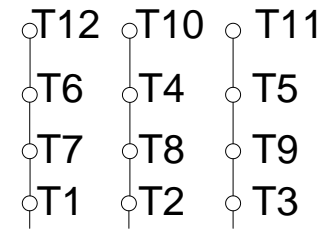
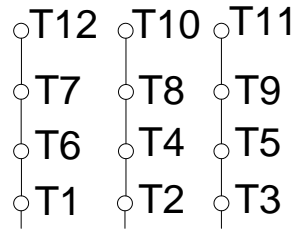
START

RUN

START

RUN

B



C

L1 L2 L3

L1 L2 L3

L1 L2 L3

L1 L2 L3

D

E

F

Notes: Downloaded from <http://dealerselectric.com>
Generated for Model #50018XP3G586/7

Performed by:

Checked:

Customer:

Three-Phase : Explosion Proof - High Efficiency

Three-phase induction motor
Frame 586/7T - IP54

29-SEP-2016

