



Dealers Industrial Equipment

No.:

Date: 29-SEP-2016

Customer :

TECHNICAL PROPOSAL

Three-phase induction motor - Squirrel cage rotor

Product line : Three-Phase : Explosion Proof - High Efficiency

Catalog Number : 45018XP3G586/7

List Price : \$54,334

Notes:

Downloaded from <http://dealerselectric.com>

Generated for Model #45018XP3G586/7

Performed by:

Checked:



# Dealers Industrial Equipment

No.:

Date: 29-SEP-2016

## DATA SHEET Three-phase induction motor - Squirrel cage rotor

Customer :  
 Product line : Three-Phase : Explosion Proof - High Efficiency

Frame : 586/7T  
 Output : 450 HP  
 Frequency : 60 Hz  
 Poles : 4  
 Full load speed : 1790 rpm  
 Slip : 0.56 %  
 Voltage : 460 V  
 Rated current : 505 A  
 Locked rotor current : 3280 A  
 Locked rotor current (I<sub>L</sub>/I<sub>n</sub>) : 6.5  
 No-load current : 135 A  
 Full load torque : 1302 lb.ft  
 Locked rotor torque : 180 %  
 Breakdown torque : 200 %  
 Design : B  
 Insulation class : F  
 Temperature rise : 105 K  
 Locked rotor time : 32 s (hot)  
 Service factor : 1.15  
 Duty cycle : S1  
 Ambient temperature : -20°C - +40°C  
 Altitude : 1000 m  
 Degree of Protection : IP54  
 Approximate weight : 4366 lb  
 Moment of inertia : 213.23 sq.ft.lb  
 Noise level : 83 dB(A)

	D.E.	N.D.E.
Bearings	6322 C3	6319 C3
Regreasing interval	5138 h	7038 h
Grease amount	60 g	45 g

Load	Power factor	Efficiency (%)
100%	0.86	95.4
75%	0.85	95.4
50%	0.80	95.0

Notes:  
 Downloaded from <http://dealerselectric.com>  
 Generated for Model #45018XP3G586/7

Performed by

Checked

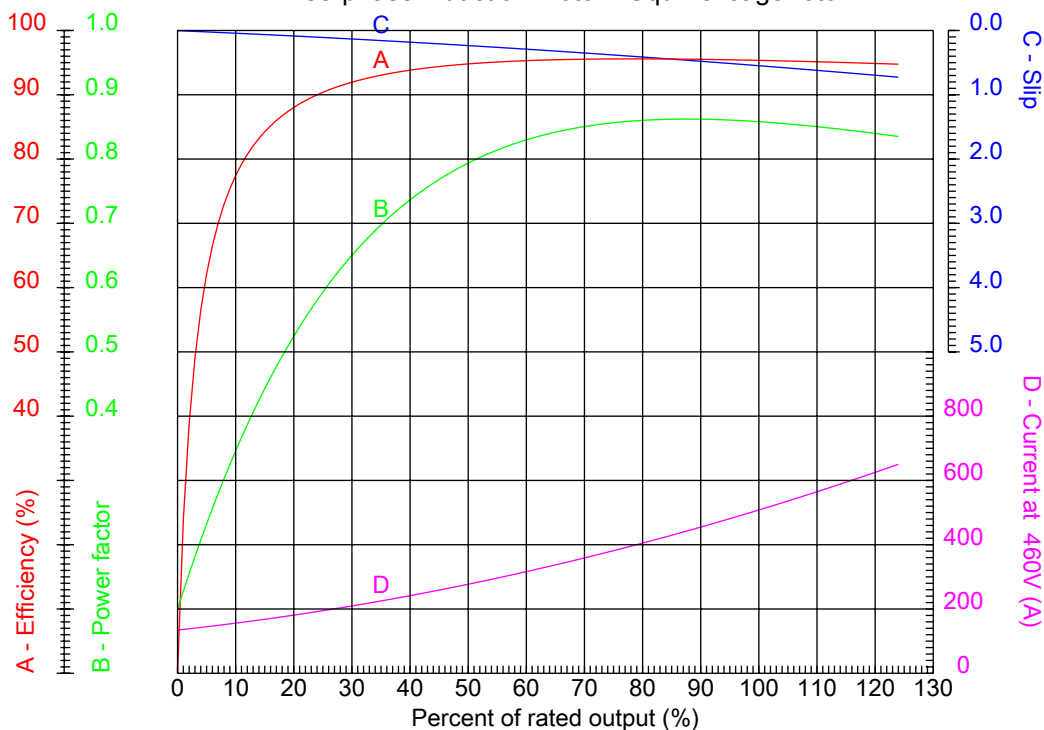


# Dealers Industrial Equipment

No.:

Date: 29-SEP-2016

## PERFORMANCE CURVES RELATED TO RATED OUTPUT Three-phase induction motor - Squirrel cage rotor



Customer :  
 Product line : Three-Phase : Explosion Proof - High Efficiency

Frame	: 586/7T	Locked rotor current (I <sub>l</sub> /I <sub>n</sub> )	: 6.5
Output	: 450 HP	Duty cycle	: S1
Frequency	: 60 Hz	Service factor	: 1.15
Full load speed	: 1790 rpm	Design	: B
Voltage	: 460 V	Locked rotor torque	: 180 %
Rated current	: 505 A	Breakdown torque	: 200 %
Insulation class	: F		

Notes:  
 Downloaded from <http://dealerselectric.com>  
 Generated for Model #45018XP3G586/7

Performed by

Checked



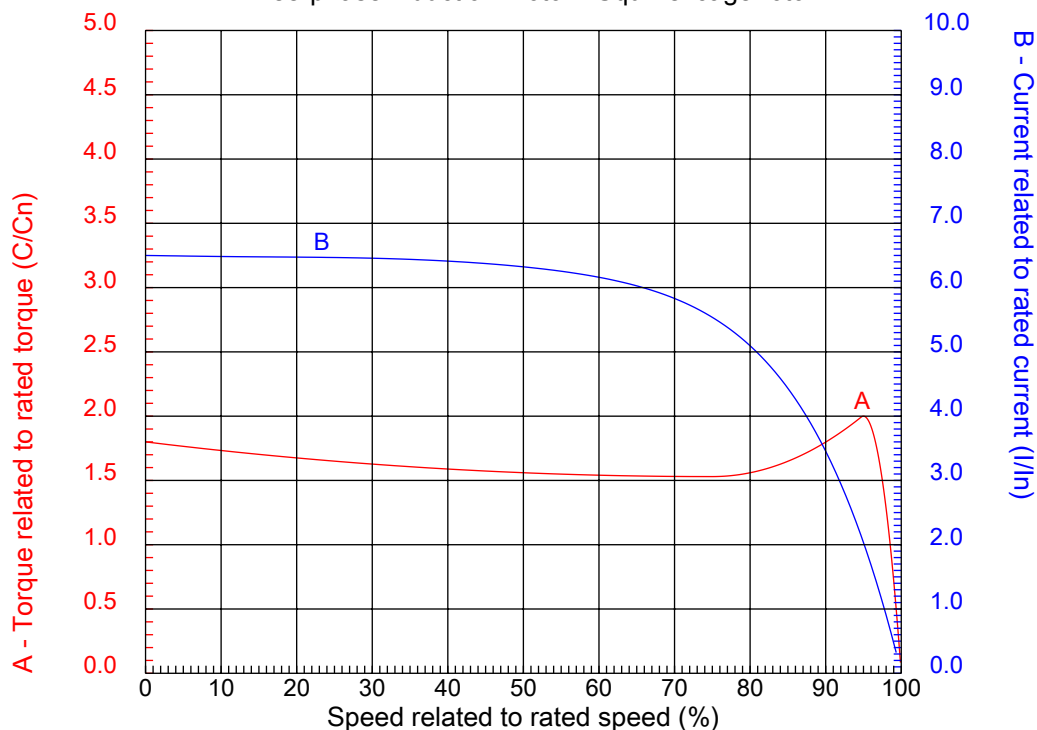
# Dealers Industrial Equipment

No.:

Date: 29-SEP-2016

## CHARACTERISTIC CURVES RELATED TO SPEED

Three-phase induction motor - Squirrel cage rotor



Customer :  
Product line : Three-Phase : Explosion Proof - High Efficiency

Frame	: 586/7T	Locked rotor current (I <sub>l</sub> /I <sub>n</sub> )	: 6.5
Output	: 450 HP	Duty cycle	: S1
Frequency	: 60 Hz	Service factor	: 1.15
Full load speed	: 1790 rpm	Design	: B
Voltage	: 460 V	Locked rotor torque	: 180 %
Rated current	: 505 A	Breakdown torque	: 200 %
Insulation class	: F		

Notes:  
Downloaded from <http://dealerselectric.com>  
Generated for Model #45018XP3G586/7

Performed by

Checked

1 2 3 4 5 6 7 8

A

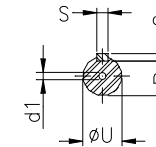
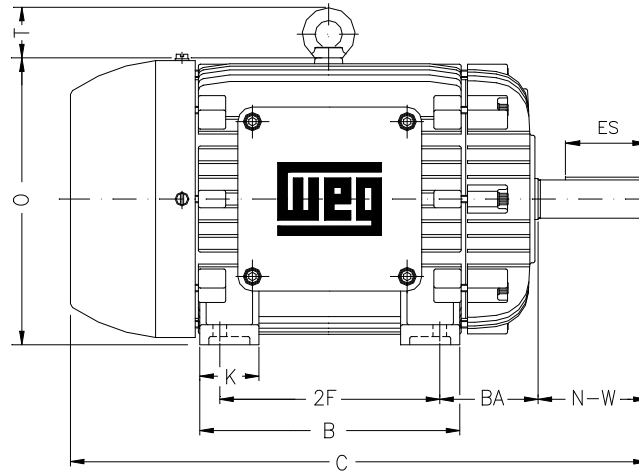
B

C

D

E

F



Notes: Downloaded from <http://dealerselectric.com>  
Generated for Model #45018XP3G586/7

Performed by:

Checked:

Customer:

Three-Phase : Explosion Proof - High Efficiency

Three-phase induction motor  
Frame 586/7T - IP54

29-SEP-2016



2E 23.000	A 29.528	2F 22.000/25.000	B 29.921	BA 10.00
J 5.236	K 7.874	P 30.709	ES 8.661	depth 1.000
S 1.000	N-W 11.625	U 3.875	R 3.312	AB 25.787
D 14.500	G 2.492	O 30.428	H 1.181	C 61.389
AA 2xNPT 3"	d1 DUNC 7/8"-9	d2 DUNC 3/4"-10	T 4.291	

1 2 3 4 5 6 7 8

A

### PART-WINDING

### WYE-DELTA

#### START

#### RUN

#### START

#### RUN

B



C

L1 L2 L3

L1 L2 L3

L1 L2 L3

L1 L2 L3

D

E

F

Notes: Downloaded from <http://dealerselectric.com>  
Generated for Model #45018XP3G586/7

Performed by:

Checked:

Customer:

Three-Phase : Explosion Proof - High Efficiency

Three-phase induction motor  
Frame 586/7T - IP54

29-SEP-2016

