



# Dealers Industrial Equipment

No.:

Date: 29-SEP-2016

Customer :

## TECHNICAL PROPOSAL

### Three-phase induction motor - Squirrel cage rotor

Product line : ODP – Open Induction Motors – High Efficiency

Catalog Number : 40036OP3G447/9TS

List Price : \$24,140

#### Notes:

Downloaded from <http://dealerselectric.com>

Generated for Model #40036OP3G447/9TS

Performed by:

Checked:



# Dealers Industrial Equipment

No.:

Date: 29-SEP-2016

## DATA SHEET Three-phase induction motor - Squirrel cage rotor

Customer :  
 Product line : ODP – Open Induction Motors – High Efficiency

Frame : 447/9TS  
 Output : 400 HP  
 Frequency : 60 Hz  
 Poles : 2  
 Full load speed : 3565 rpm  
 Slip : 0.97 %  
 Voltage : 460 V  
 Rated current : 443 A  
 Locked rotor current : 2880 A  
 Locked rotor current (I<sub>L</sub>/I<sub>n</sub>) : 6.5  
 No-load current : 100 A  
 Full load torque : 581 lb.ft  
 Locked rotor torque : 170 %  
 Breakdown torque : 250 %  
 Design : A  
 Insulation class : F  
 Temperature rise : 80 K  
 Locked rotor time : 14 s (hot)  
 Service factor : 1.15  
 Duty cycle : S1  
 Ambient temperature : -20°C - +40°C  
 Altitude : 1000 m  
 Degree of Protection : IP23  
 Approximate weight : 1896 lb  
 Moment of inertia : 39.092 sq.ft.lb  
 Noise level : 85 dB(A)

	D.E.	N.D.E.
Bearings	6314 C3	6314 C3
Regreasing interval	14418 h	14418 h
Grease amount	27 g	27 g

Load	Power factor	Efficiency (%)
100%	0.89	95.4
75%	0.88	95.4
50%	0.83	95.0

Notes:  
 Downloaded from <http://dealerselectric.com>  
 Generated for Model #40036OP3G447/9TS

Performed by

Checked



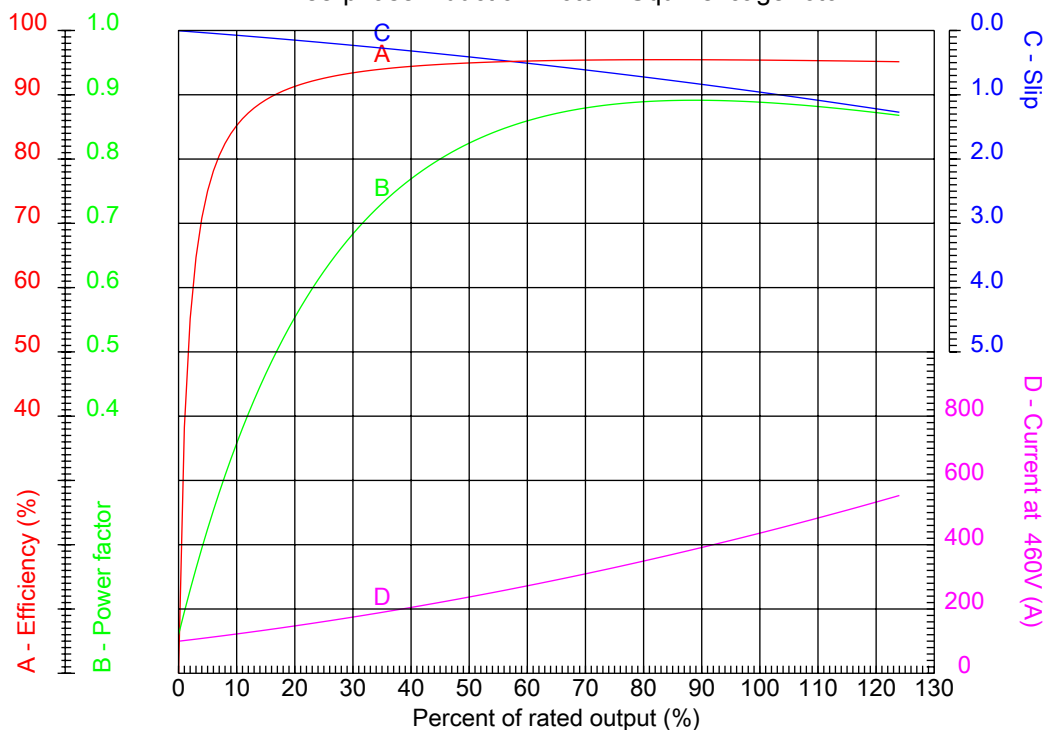
# Dealers Industrial Equipment

No.:

Date: 29-SEP-2016

## PERFORMANCE CURVES RELATED TO RATED OUTPUT

Three-phase induction motor - Squirrel cage rotor



Customer :  
Product line : ODP – Open Induction Motors – High Efficiency

Frame	: 447/9TS	Locked rotor current (I <sub>l</sub> /I <sub>n</sub> )	: 6.5
Output	: 400 HP	Duty cycle	: S1
Frequency	: 60 Hz	Service factor	: 1.15
Full load speed	: 3565 rpm	Design	: A
Voltage	: 460 V	Locked rotor torque	: 170 %
Rated current	: 443 A	Breakdown torque	: 250 %
Insulation class	: F		

Notes:  
Downloaded from <http://dealerselectric.com>  
Generated for Model #40036OP3G447/9TS

Performed by

Checked



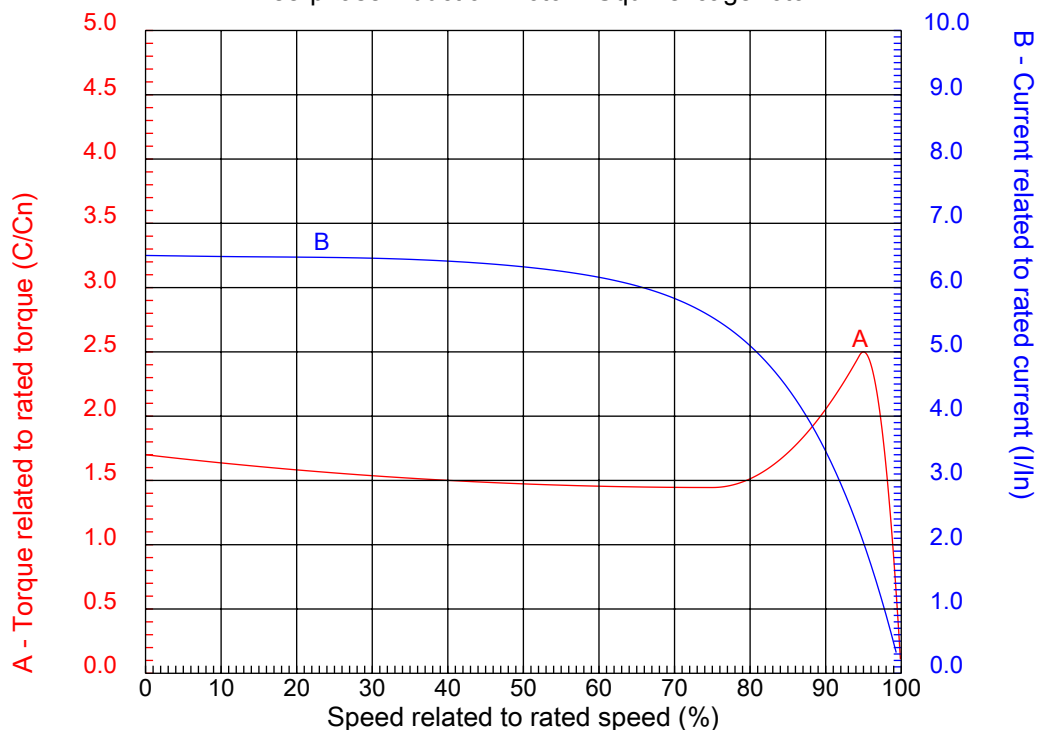
# Dealers Industrial Equipment

No.:

Date: 29-SEP-2016

## CHARACTERISTIC CURVES RELATED TO SPEED

Three-phase induction motor - Squirrel cage rotor



Customer :  
Product line : ODP – Open Induction Motors – High Efficiency

Frame	: 447/9TS	Locked rotor current (I <sub>l</sub> /I <sub>n</sub> )	: 6.5
Output	: 400 HP	Duty cycle	: S1
Frequency	: 60 Hz	Service factor	: 1.15
Full load speed	: 3565 rpm	Design	: A
Voltage	: 460 V	Locked rotor torque	: 170 %
Rated current	: 443 A	Breakdown torque	: 250 %
Insulation class	: F		

Notes:  
Downloaded from <http://dealerselectric.com>  
Generated for Model #40036OP3G447/9TS

Performed by

Checked

1 2 3 4 5 6 7 8

A

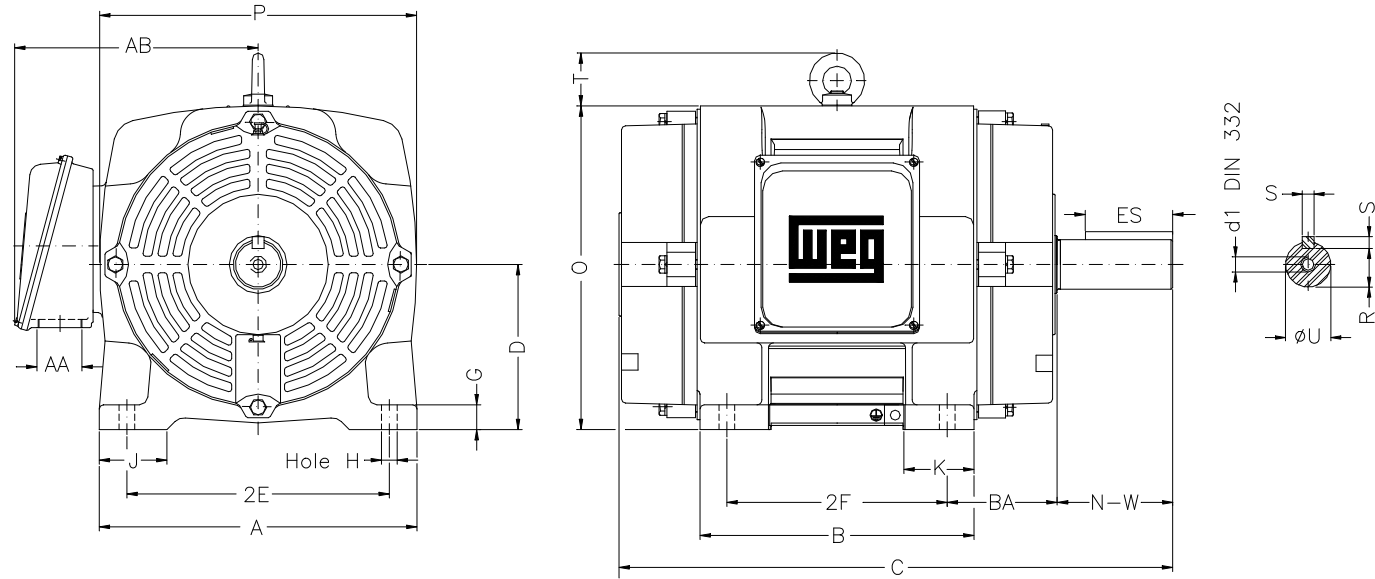
B

C

D

E

F



Notes: Downloaded from <http://dealerselectric.com>  
Generated for Model #40036OP3G447/9TS

Performed by:

Checked:

Customer:

ODP – Open Induction Motors – High Efficiency

2E 18.000	A 21.929	2F 20.000/25.000	B 28.898	BA 7.500
J 3.937	K 10.47	P 22.126	ES 3.000	depth 0.625
S 0.625	D 11.000	N-W 4.750	G 1.811	U 2.375
O 22.441	T 3.543	R 2.019	H 0.807	AB 23.464
C 44.567	AA 2xNPT 3"	d1 DUNC 3/4"-10		

Three-phase induction motor  
Frame 447/9TS - IP23

29-SEP-2016



1 2 3 4 5 6 7 8

A

### PART-WINDING

### WYE-DELTA

#### START

#### RUN

#### START

#### RUN

B



C

L1 L2 L3

L1 L2 L3

L1 L2 L3

L1 L2 L3

D

E

F

Notes: Downloaded from <a href="http://dealerselectric.com">http://dealerselectric.com</a> Generated for Model #40036OP3G447/9TS		
Performed by:		
Checked:		
Customer:		
ODP – Open Induction Motors – High Efficiency		
Three-phase induction motor Frame 447/9TS - IP23	29-SEP-2016	