



Dealers Industrial Equipment

No.:

Date: 29-SEP-2016

Customer :

TECHNICAL PROPOSAL

Three-phase induction motor - Squirrel cage rotor

Product line : W22 NEMA Premium - Ball Bearings

Catalog Number : 40018ET3H449T-W22

List Price : \$43,805

Notes:

Downloaded from <http://dealerselectric.com>

Generated for Model #40018ET3H449T-W22

Performed by:

Checked:



Dealers Industrial Equipment

No.:

Date: 29-SEP-2016

DATA SHEET Three-phase induction motor - Squirrel cage rotor

Customer :
Product line : W22 NEMA Premium - Ball Bearings

Frame : L447/9T
Output : 400 HP
Frequency : 60 Hz
Poles : 4
Full load speed : 1785 rpm
Slip : 0.83 %
Voltage : 575 V
Rated current : 356 A
Locked rotor current : 2310 A
Locked rotor current (I_L/I_n) : 6.5
No-load current : 100 A
Full load torque : 1161 lb.ft
Locked rotor torque : 250 %
Breakdown torque : 260 %
Design : B
Insulation class : F
Temperature rise : 80 K
Locked rotor time : 21 s (hot)
Service factor : 1.15
Duty cycle : S1
Ambient temperature : -20°C - +40°C
Altitude : 1000 m
Degree of Protection : IP55
Approximate weight : 3285 lb
Moment of inertia : 136.37 sq.ft.lb
Noise level : 79 dB(A)

| | D.E. | N.D.E. |
|---------------------|---------|---------|
| Bearings | 6322 C3 | 6319 C3 |
| Regreasing interval | 6000 h | 8000 h |
| Grease amount | 60 g | 45 g |

| Load | Power factor | Efficiency (%) |
|------|--------------|----------------|
| 100% | 0.88 | 96.2 |
| 75% | 0.85 | 95.8 |
| 50% | 0.80 | 95.4 |

Notes:
Downloaded from <http://dealerselectric.com>
Generated for Model #40018ET3H449T-W22

Performed by

Checked



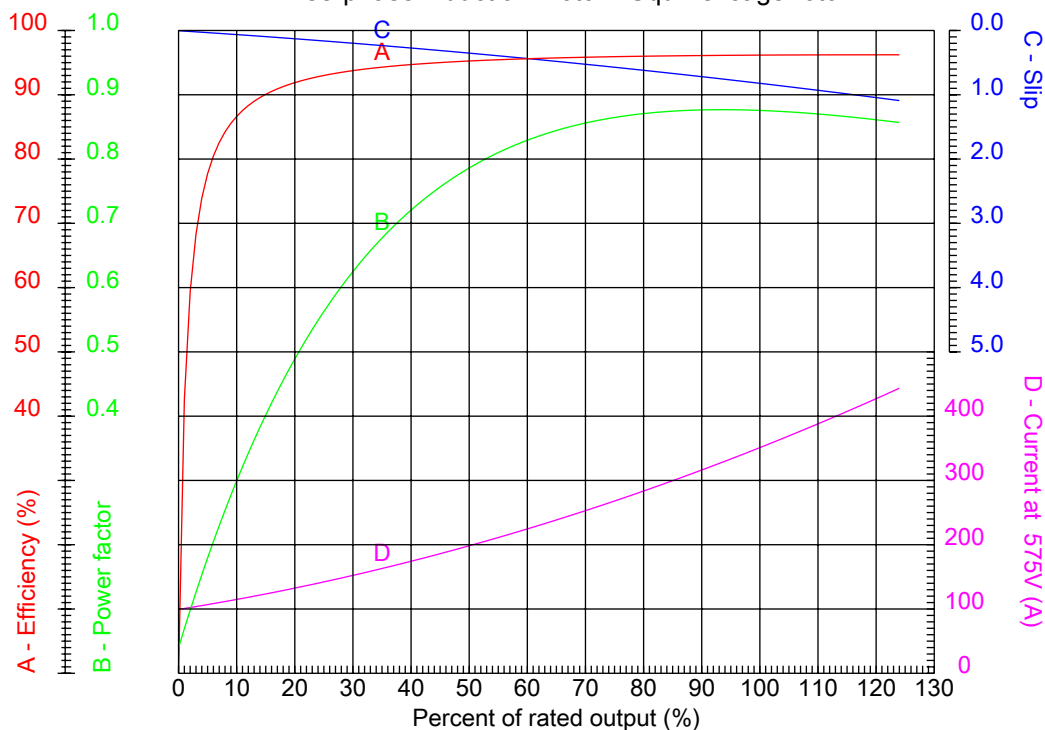
Dealers Industrial Equipment

No.:

Date: 29-SEP-2016

PERFORMANCE CURVES RELATED TO RATED OUTPUT

Three-phase induction motor - Squirrel cage rotor



Customer :
Product line : W22 NEMA Premium - Ball Bearings

| | |
|----------------------------|--|
| Frame : L447/9T | Locked rotor current (I _l /I _n) : 6.5 |
| Output : 400 HP | Duty cycle : S1 |
| Frequency : 60 Hz | Service factor : 1.15 |
| Full load speed : 1785 rpm | Design : B |
| Voltage : 575 V | Locked rotor torque : 250 % |
| Rated current : 356 A | Breakdown torque : 260 % |
| Insulation class : F | |

Notes:
Downloaded from <http://dealerselectric.com>
Generated for Model #40018ET3H449T-W22

Performed by

Checked



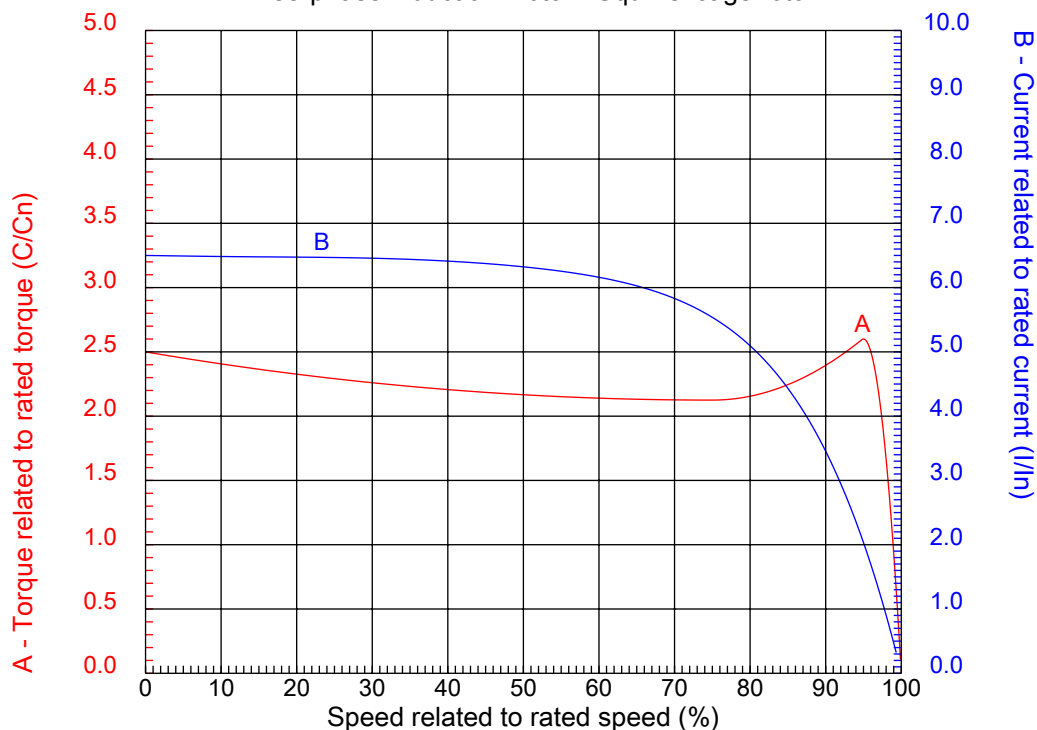
Dealers Industrial Equipment

No.:

Date: 29-SEP-2016

CHARACTERISTIC CURVES RELATED TO SPEED

Three-phase induction motor - Squirrel cage rotor



Customer :
Product line : W22 NEMA Premium - Ball Bearings

| | | | |
|------------------|------------|--|---------|
| Frame | : L447/9T | Locked rotor current (I _l /I _n) | : 6.5 |
| Output | : 400 HP | Duty cycle | : S1 |
| Frequency | : 60 Hz | Service factor | : 1.15 |
| Full load speed | : 1785 rpm | Design | : B |
| Voltage | : 575 V | Locked rotor torque | : 250 % |
| Rated current | : 356 A | Breakdown torque | : 260 % |
| Insulation class | : F | | |

Notes:
Downloaded from <http://dealerselectric.com>
Generated for Model #40018ET3H449T-W22

Performed by

Checked

1 2 3 4 5 6 7 8

A

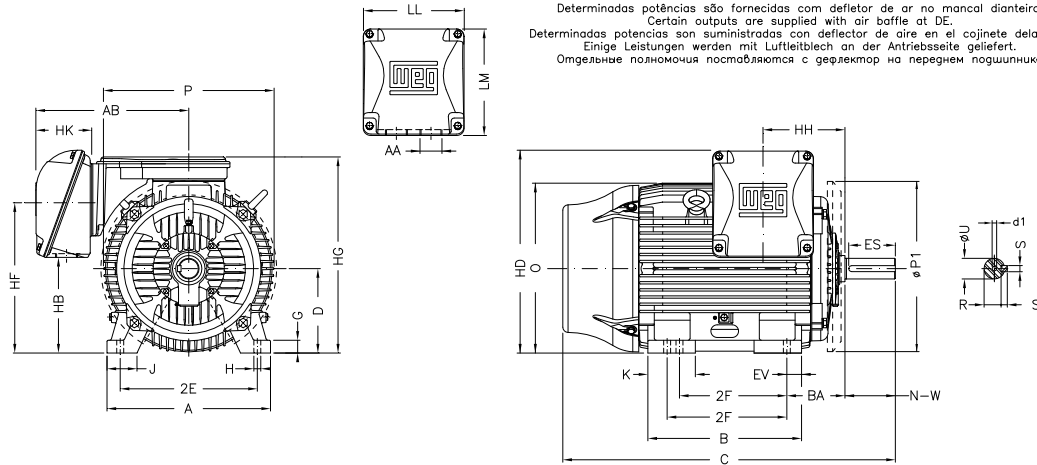
B

C

D

E

F



Notes: Downloaded from <http://dealerselectric.com>
Generated for Model #40018ET3H449T-W22

| | | | | |
|---------------------|--------------|--------------|--------------|----------------|
| 2E 18.000 | J 3.937 | A 21.929 | P 25.866 | AB 23.720 |
| 2F 20.000/25.000 | K 11.688 | B 31.535 | BA 7.500 | U 3.375 |
| N-W 8.500 | ES 7.087 | S 0.875 | R 2.880 | depth 0.875 |
| D 11.000 | G 1.630 | HB 11.535 | O 23.874 | HD 30.708 |
| HF 20.551 | HG 28.185 | HH 11.870 | HK 8.661 | EV 2.638 |
| H 0.810 | C 57.181 | LL 15.906 | LM 17.165 | AA 2xNPT 3" |
| d1 DUNC 3/4"-10 | | | | |

Performed by:

Checked:

Customer:

W22 NEMA Premium - Ball Bearings

Three-phase induction motor
Frame L447/9T - IP55

29-SEP-2016



1 2 3 4 5 6 7 8

A
B
C
D
E
F

RUN



ONLY FOR START



| | | |
|--|-------------|--|
| Notes: Downloaded from http://dealerselectric.com Generated for Model #40018ET3H449T-W22 | | |
| Performed by: | | |
| Checked: | | |
| Customer: | | |
| W22 NEMA Premium - Ball Bearings | | |
| Three-phase induction motor Frame L447/9T - IP55 | 29-SEP-2016 | |