



Dealers Industrial Equipment

No.:

Date: 29-SEP-2016

Customer :

TECHNICAL PROPOSAL

Three-phase induction motor - Squirrel cage rotor

Product line : Three-Phase : Explosion Proof - NEMA Premium

Catalog Number : 35036XT3G449TS

List Price : \$65,868

Notes:

Downloaded from <http://dealerselectric.com>

Generated for Model #35036XT3G449TS

Performed by:

Checked:



Dealers Industrial Equipment

No.:

Date: 29-SEP-2016

DATA SHEET Three-phase induction motor - Squirrel cage rotor

Customer :
 Product line : Three-Phase : Explosion Proof - NEMA Premium

Frame : 449TS
 Output : 350 HP
 Frequency : 60 Hz
 Poles : 2
 Full load speed : 3575 rpm
 Slip : 0.69 %
 Voltage : 460 V
 Rated current : 379 A
 Locked rotor current : 3300 A
 Locked rotor current (I_L/I_n) : 8.7
 No-load current : 97.0 A
 Full load torque : 507 lb.ft
 Locked rotor torque : 280 %
 Breakdown torque : 340 %
 Design : A
 Insulation class : F
 Temperature rise : 80 K
 Locked rotor time : 14 s (hot)
 Service factor : 1.15
 Duty cycle : S1
 Ambient temperature : -20°C - +40°C
 Altitude : 1000 m
 Degree of Protection : IP55
 Approximate weight : 3638 lb
 Moment of inertia : 68.132 sq.ft.lb
 Noise level : 84 dB(A)

	D.E.	N.D.E.	Load	Power factor	Efficiency (%)
Bearings	6314 C3	6314 C3	100%	0.90	95.8
Regreasing interval	3604 h	3604 h	75%	0.88	95.8
Grease amount	27 g	27 g	50%	0.82	95.0

Notes:
 Downloaded from <http://dealerselectric.com>
 Generated for Model #35036XT3G449TS

Performed by

Checked



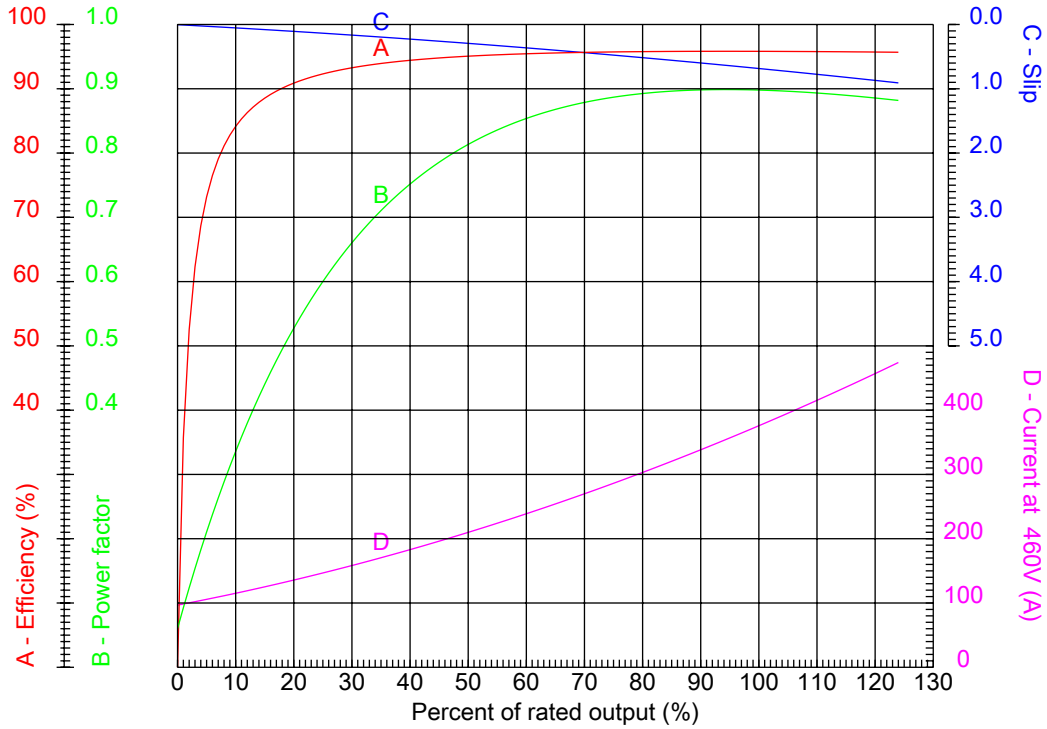
Dealers Industrial Equipment

No.:

Date: 29-SEP-2016

PERFORMANCE CURVES RELATED TO RATED OUTPUT

Three-phase induction motor - Squirrel cage rotor



Customer :
 Product line : Three-Phase : Explosion Proof - NEMA Premium

Frame	: 449TS	Locked rotor current (I _l /I _n)	: 8.7
Output	: 350 HP	Duty cycle	: S1
Frequency	: 60 Hz	Service factor	: 1.15
Full load speed	: 3575 rpm	Design	: A
Voltage	: 460 V	Locked rotor torque	: 280 %
Rated current	: 379 A	Breakdown torque	: 340 %
Insulation class	: F		

Notes:
 Downloaded from <http://dealerselectric.com>
 Generated for Model #35036XT3G449TS

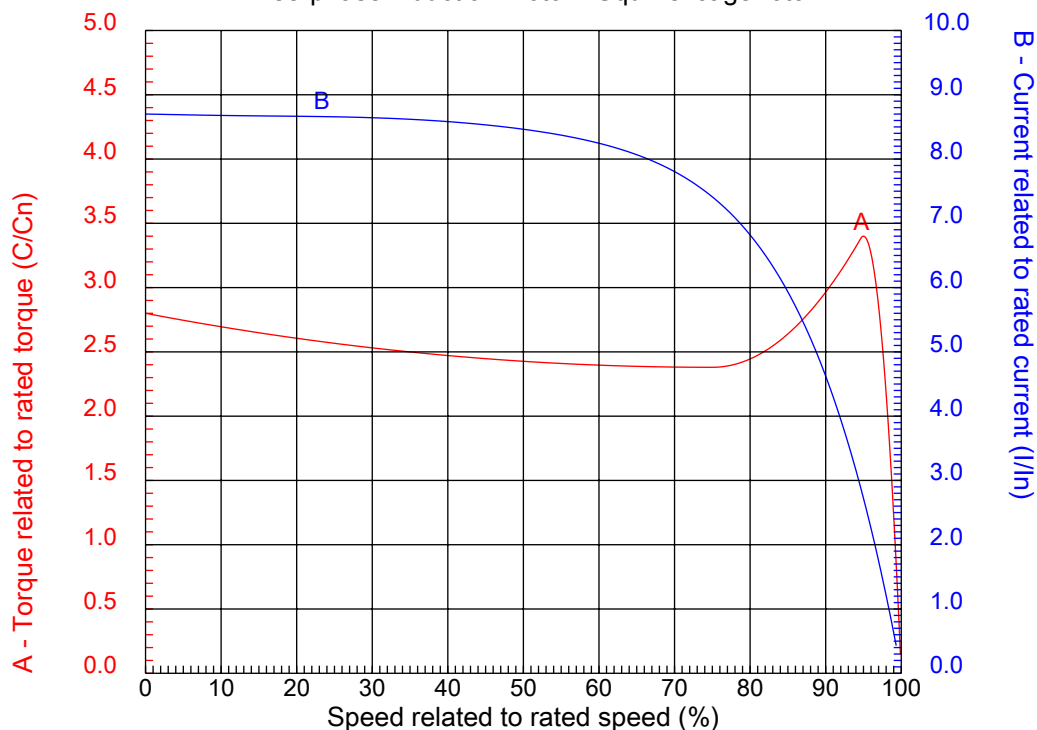
Performed by

Checked



CHARACTERISTIC CURVES RELATED TO SPEED

Three-phase induction motor - Squirrel cage rotor



Customer :
Product line : Three-Phase : Explosion Proof - NEMA Premium

Frame	: 449TS	Locked rotor current (I _l /I _n)	: 8.7
Output	: 350 HP	Duty cycle	: S1
Frequency	: 60 Hz	Service factor	: 1.15
Full load speed	: 3575 rpm	Design	: A
Voltage	: 460 V	Locked rotor torque	: 280 %
Rated current	: 379 A	Breakdown torque	: 340 %
Insulation class	: F		

Notes:
Downloaded from <http://dealerselectric.com>
Generated for Model #35036XT3G449TS

Performed by

Checked

1 2 3 4 5 6 7 8

A

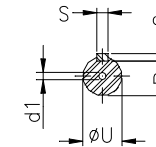
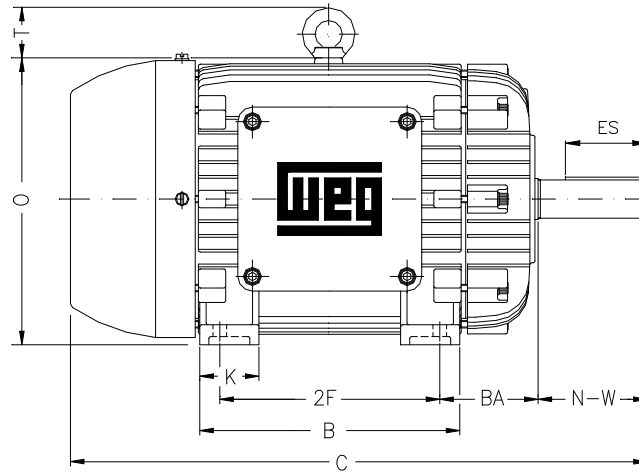
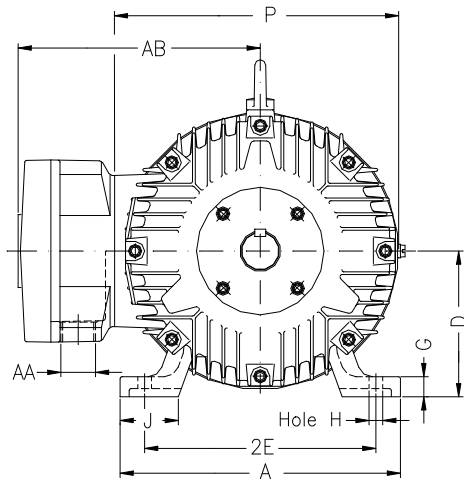
B

C

D

E

F



Notes: Downloaded from <http://dealerselectric.com>
Generated for Model #35036XT3G449TS

Performed by:

Checked:

Customer:

Three-Phase : Explosion Proof - NEMA Premium

Three-phase induction motor
Frame 449TS - IP55

29-SEP-2016



2E 18.000	A 21.929	2F 25.000	B 32.126	BA 7.500
J 3.937	K 7.104	P 24.016	ES 3.000	depth 0.625
S 0.625	N-W 4.750	U 2.375	R 2.021	AB 20.984
D 11.000	G 1.630	O 23.622	T 3.543	H 0.807
C 51.246	AA 2xNPT 3"	d1 DUNC 3/4"-10	d2 DUNC 3/4"-10	

1 2 3 4 5 6 7 8

A

PART-WINDING

WYE-DELTA

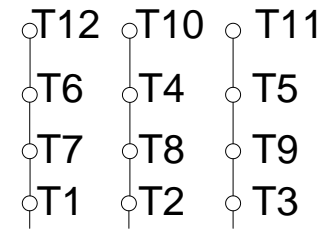
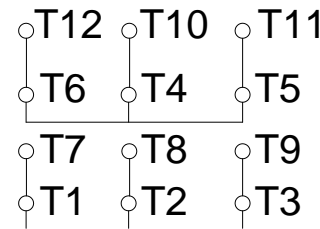
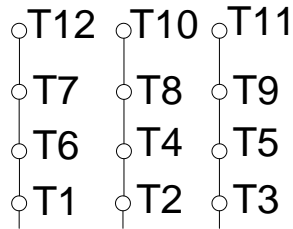
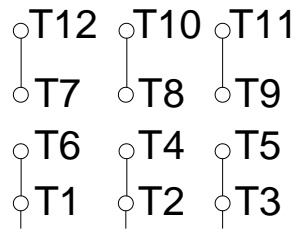
START

RUN

START

RUN

B



C

L1 L2 L3

L1 L2 L3

L1 L2 L3

L1 L2 L3

D

E

F

Notes: Downloaded from <http://dealerselectric.com>
Generated for Model #35036XT3G449TS

Performed by:

Checked:

Customer:

Three-Phase : Explosion Proof - NEMA Premium

Three-phase induction motor
Frame 449TS - IP55

29-SEP-2016

