



Dealers Industrial Equipment

No.:

Date: 29-SEP-2016

Customer :

TECHNICAL PROPOSAL

Three-phase induction motor - Squirrel cage rotor

Product line : Three-Phase : Explosion Proof - High Efficiency

Catalog Number : 35036XP3G586/7S

List Price : \$54,890

Notes:

Downloaded from <http://dealerselectric.com>

Generated for Model #35036XP3G586/7S

Performed by:

Checked:



Dealers Industrial Equipment

No.:

Date: 29-SEP-2016

DATA SHEET Three-phase induction motor - Squirrel cage rotor

Customer :
 Product line : Three-Phase : Explosion Proof - High Efficiency

Frame : 586/7TS
 Output : 350 HP
 Frequency : 60 Hz
 Poles : 2
 Full load speed : 3580 rpm
 Slip : 0.56 %
 Voltage : 460 V
 Rated current : 384 A
 Locked rotor current : 2530 A
 Locked rotor current (I_L/I_n) : 6.6
 No-load current : 68.8 A
 Full load torque : 507 lb.ft
 Locked rotor torque : 130 %
 Breakdown torque : 220 %
 Design : B
 Insulation class : F
 Temperature rise : 80 K
 Locked rotor time : 35 s (hot)
 Service factor : 1.15
 Duty cycle : S1
 Ambient temperature : -20°C - +40°C
 Altitude : 1000 m
 Degree of Protection : IP54
 Approximate weight : 4420 lb
 Moment of inertia : 136.34 sq.ft.lb
 Noise level : 85 dB(A)

	D.E.	N.D.E.
Bearings	6314 C3	6314 C3
Regreasing interval	3604 h	3604 h
Grease amount	27 g	27 g

Load	Power factor	Efficiency (%)
100%	0.89	95.4
75%	0.88	95.0
50%	0.87	94.1

Notes:
 Downloaded from <http://dealerselectric.com>
 Generated for Model #35036XP3G586/7S

Performed by

Checked



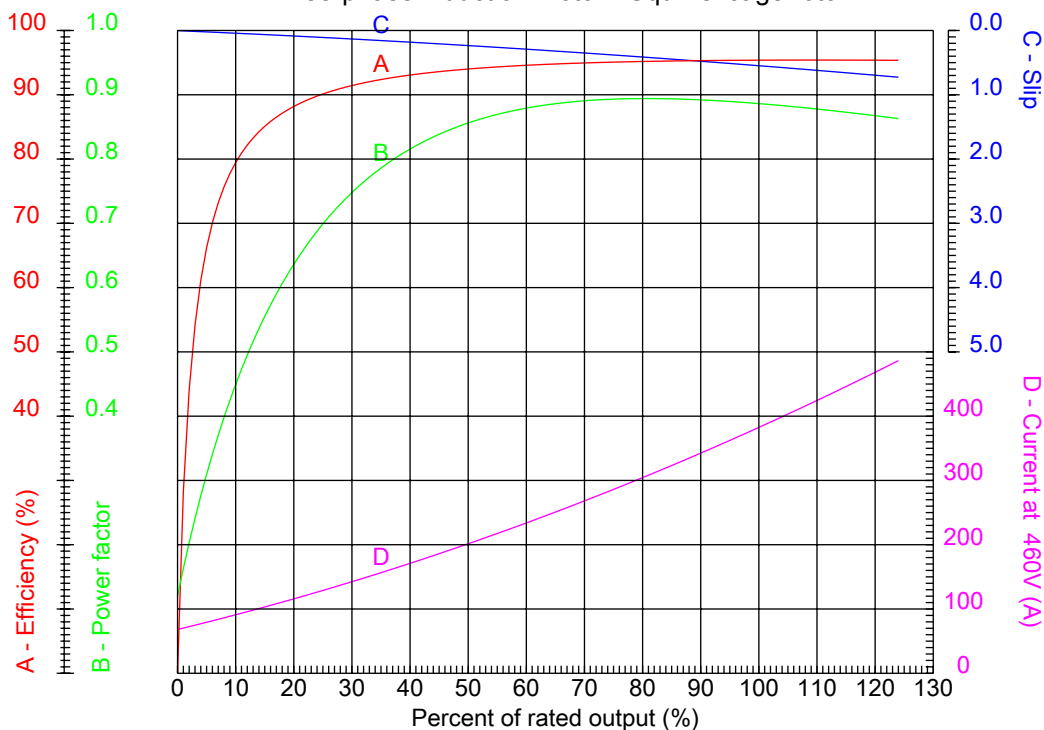
Dealers Industrial Equipment

No.:

Date: 29-SEP-2016

PERFORMANCE CURVES RELATED TO RATED OUTPUT

Three-phase induction motor - Squirrel cage rotor



Customer :
Product line : Three-Phase : Explosion Proof - High Efficiency

Frame	: 586/7TS	Locked rotor current (I _l /I _n)	: 6.6
Output	: 350 HP	Duty cycle	: S1
Frequency	: 60 Hz	Service factor	: 1.15
Full load speed	: 3580 rpm	Design	: B
Voltage	: 460 V	Locked rotor torque	: 130 %
Rated current	: 384 A	Breakdown torque	: 220 %
Insulation class	: F		

Notes:
Downloaded from <http://dealerselectric.com>
Generated for Model #35036XP3G586/7S

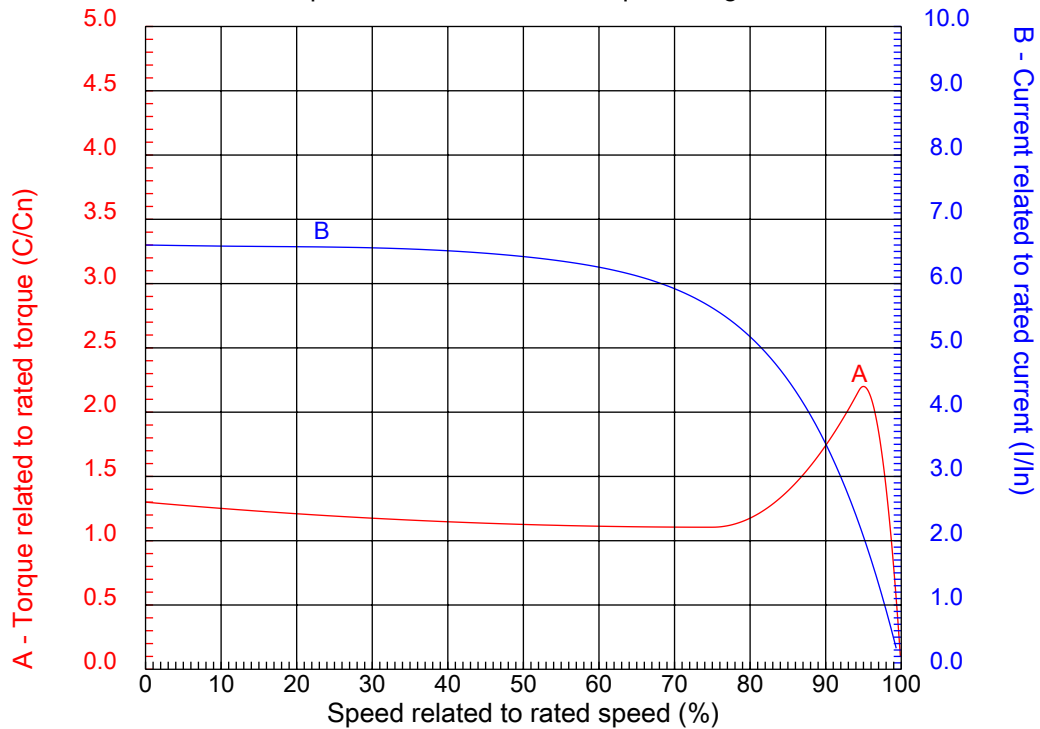
Performed by

Checked



CHARACTERISTIC CURVES RELATED TO SPEED

Three-phase induction motor - Squirrel cage rotor



Customer :
Product line : Three-Phase : Explosion Proof - High Efficiency

Frame	: 586/7TS	Locked rotor current (I _l /I _n)	: 6.6
Output	: 350 HP	Duty cycle	: S1
Frequency	: 60 Hz	Service factor	: 1.15
Full load speed	: 3580 rpm	Design	: B
Voltage	: 460 V	Locked rotor torque	: 130 %
Rated current	: 384 A	Breakdown torque	: 220 %
Insulation class	: F		

Notes:
Downloaded from <http://dealerselectric.com>
Generated for Model #35036XP3G586/7S

Performed by

Checked

1 2 3 4 5 6 7 8

A

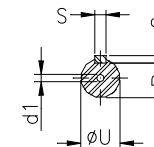
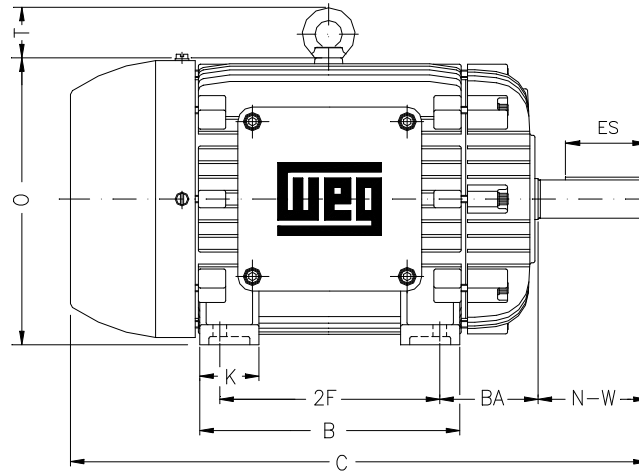
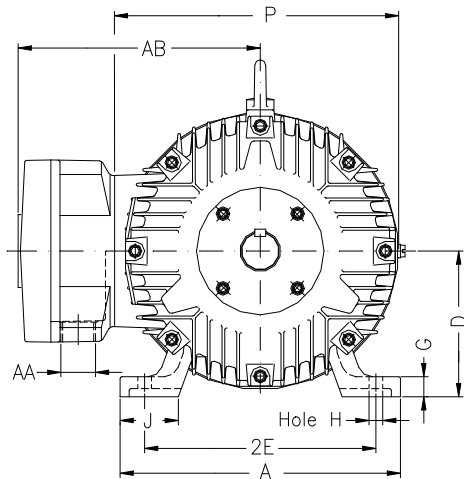
B

C

D

E

F



Notes: Downloaded from <http://dealerselectric.com>
Generated for Model #35036XP3G586/7S

Performed by:

Checked:

Customer:

Three-Phase : Explosion Proof - High Efficiency

Three-phase induction motor
Frame 586/7TS - IP54

29-SEP-2016



2E 23.000	A 29.528	2F 22.000/25.000	B 29.921	BA 10.00
J 5.236	K 7.874	P 30.709	ES 3.000	depth 0.625
S 0.625	N-W 4.750	U 2.375	R 2.021	AB 25.787
D 14.500	G 2.492	O 30.428	H 1.181	C 54.514
AA 2xNPT 3"	d1 DUNC 3/4"-10	d2 DUNC 3/4"-10	T 4.291	

1 2 3 4 5 6 7 8

A

PART-WINDING

WYE-DELTA

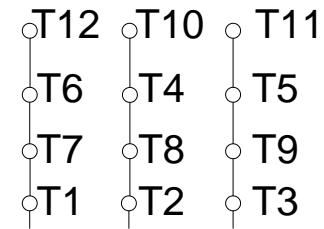
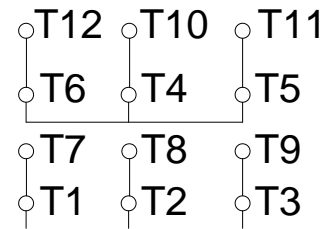
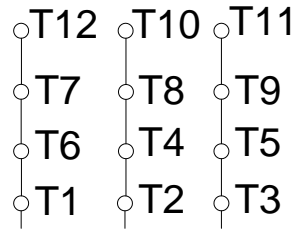
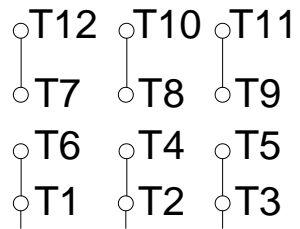
START

RUN

START

RUN

B



C

L1 L2 L3

L1 L2 L3

L1 L2 L3

L1 L2 L3

D

E

F

Notes: Downloaded from <http://dealerselectric.com>
Generated for Model #35036XP3G586/7S

Performed by:

Checked:

Customer:

Three-Phase : Explosion Proof - High Efficiency

Three-phase induction motor
Frame 586/7TS - IP54

29-SEP-2016

