



Dealers Industrial Equipment

No.:

Date: 29-SEP-2016

Customer :

TECHNICAL PROPOSAL

Three-phase induction motor - Squirrel cage rotor

Product line : W22 NEMA Premium - Roller Bearings

Catalog Number : 35012ET3GRB449T-W22

List Price : \$47,633

Notes:

Downloaded from <http://dealerselectric.com>

Generated for Model #35012ET3GRB449T-W22

Performed by:

Checked:



Dealers Industrial Equipment

No.:

Date: 29-SEP-2016

DATA SHEET Three-phase induction motor - Squirrel cage rotor

Customer :
Product line : W22 NEMA Premium - Roller Bearings

Frame : L447/9T
Output : 350 HP
Frequency : 60 Hz
Poles : 6
Full load speed : 1190 rpm
Slip : 0.83 %
Voltage : 460 V
Rated current : 415 A
Locked rotor current : 2860 A
Locked rotor current (I_L/I_n) : 6.9
No-load current : 160 A
Full load torque : 1524 lb.ft
Locked rotor torque : 250 %
Breakdown torque : 270 %
Design : A
Insulation class : F
Temperature rise : 80 K
Locked rotor time : 23 s (hot)
Service factor : 1.15
Duty cycle : S1
Ambient temperature : -20°C - +40°C
Altitude : 1000 m
Degree of Protection : IP55
Approximate weight : 3574 lb
Moment of inertia : 278.34 sq.ft.lb
Noise level : 71 dB(A)

| | D.E. | N.D.E. |
|---------------------|-----------|---------|
| Bearings | NU-322 C3 | 6319 C3 |
| Regreasing interval | 7000 h | 13000 h |
| Grease amount | 60 g | 45 g |

| Load | Power factor | Efficiency (%) |
|------|--------------|----------------|
| 100% | 0.82 | 95.8 |
| 75% | 0.77 | 95.8 |
| 50% | 0.66 | 95.4 |

Notes:
Downloaded from <http://dealerselectric.com>
Generated for Model #35012ET3GRB449T-W22

Performed by

Checked



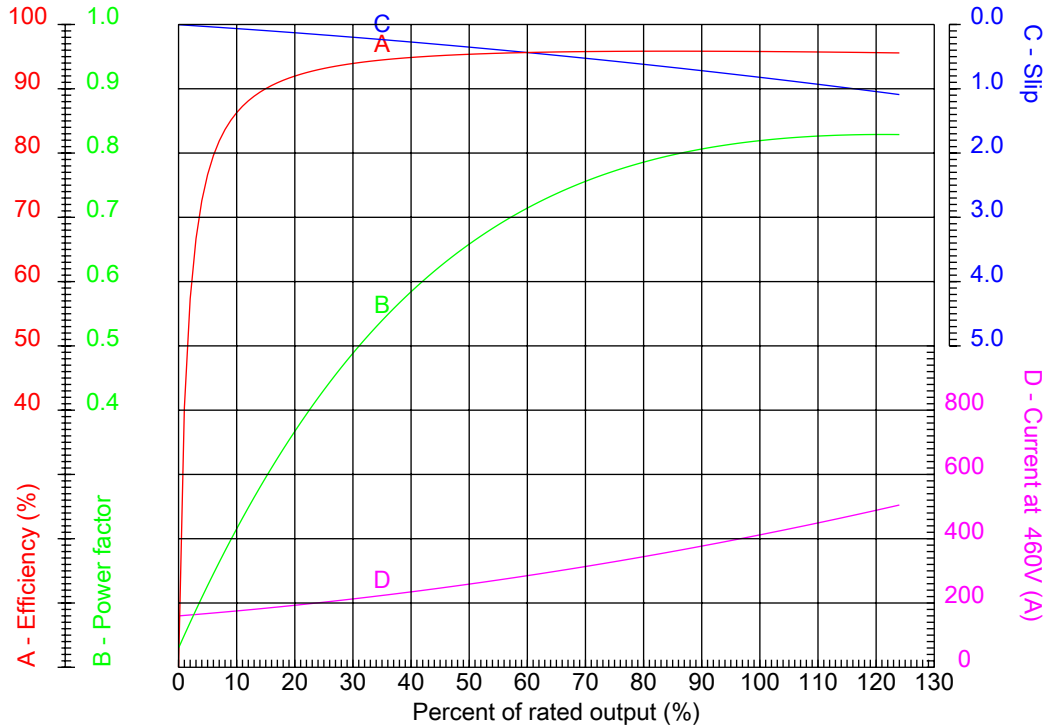
Dealers Industrial Equipment

No.:

Date: 29-SEP-2016

PERFORMANCE CURVES RELATED TO RATED OUTPUT

Three-phase induction motor - Squirrel cage rotor



Customer :
Product line : W22 NEMA Premium - Roller Bearings

| | |
|----------------------------|--|
| Frame : L447/9T | Locked rotor current (I _l /I _n) : 6.9 |
| Output : 350 HP | Duty cycle : S1 |
| Frequency : 60 Hz | Service factor : 1.15 |
| Full load speed : 1190 rpm | Design : A |
| Voltage : 460 V | Locked rotor torque : 250 % |
| Rated current : 415 A | Breakdown torque : 270 % |
| Insulation class : F | |

Notes:
Downloaded from <http://dealerselectric.com>
Generated for Model #35012ET3GRB449T-W22

Performed by

Checked



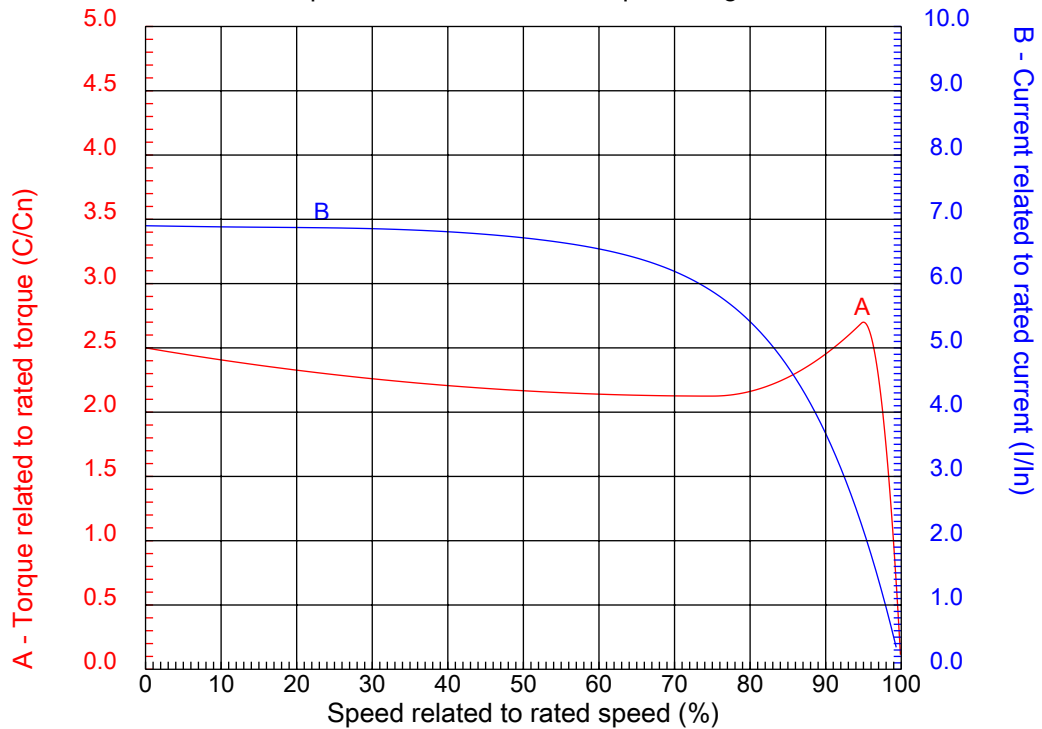
Dealers Industrial Equipment

No.:

Date: 29-SEP-2016

CHARACTERISTIC CURVES RELATED TO SPEED

Three-phase induction motor - Squirrel cage rotor



Customer :
Product line : W22 NEMA Premium - Roller Bearings

| | | | |
|------------------|------------|--|---------|
| Frame | : L447/9T | Locked rotor current (I _l /I _n) | : 6.9 |
| Output | : 350 HP | Duty cycle | : S1 |
| Frequency | : 60 Hz | Service factor | : 1.15 |
| Full load speed | : 1190 rpm | Design | : A |
| Voltage | : 460 V | Locked rotor torque | : 250 % |
| Rated current | : 415 A | Breakdown torque | : 270 % |
| Insulation class | : F | | |

Notes:
Downloaded from <http://dealerselectric.com>
Generated for Model #35012ET3GRB449T-W22

Performed by

Checked

1 2 3 4 5 6 7 8

A

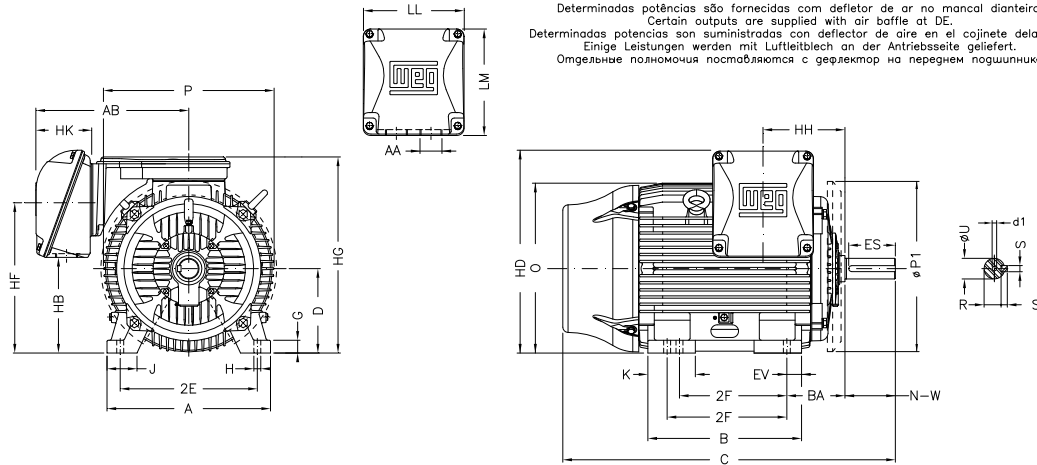
B

C

D

E

F



Determinadas potências são fornecidas com defletor de ar no mancal dianteiro.
 Certain outputs are supplied with air baffle at DE.
 Determinadas potencias son suministradas con deflector de aire en el cojinete delantero.
 Einige Leistungen werden mit Luftblech an der Antriebsseite geliefert.
 Отдельные полнomoчия поставляются с дефлектор на переднем подшипнике.

Notes: Downloaded from <http://dealerselectric.com>
 Generated for Model #35012ET3GRB449T-W22

| | | | | |
|---------------------|--------------|--------------|--------------|----------------|
| 2E 18.000 | J 3.937 | A 21.929 | P 25.866 | AB 23.720 |
| 2F 20.000/25.000 | K 11.688 | B 31.535 | BA 7.500 | U 3.375 |
| N-W 8.500 | ES 7.087 | S 0.875 | R 2.880 | depth 0.875 |
| D 11.000 | G 1.630 | HB 11.535 | O 23.874 | HD 30.708 |
| HF 20.551 | HG 28.185 | HH 11.870 | HK 8.661 | EV 2.638 |
| H 0.810 | C 57.181 | LL 15.906 | LM 17.165 | AA 2xNPT 3" |
| d1 DUNC 3/4"-10 | | | | |

| | |
|---|-------------|
| Performed by: | |
| Checked: | |
| Customer: | |
| W22 NEMA Premium - Roller Bearings | |
| Three-phase induction motor Frame L447/9T - IP55 | 29-SEP-2016 |



1 2 3 4 5 6 7 8

A

PART-WINDING

WYE-DELTA

START

RUN

START

RUN

B



C

L1 L2 L3

L1 L2 L3

L1 L2 L3

L1 L2 L3

D

E

F

Notes: Downloaded from <http://dealerselectric.com>
 Generated for Model #35012ET3GRB449T-W22

Performed by:

Checked:

Customer:

W22 NEMA Premium - Roller Bearings

Three-phase induction motor
 Frame L447/9T - IP55

29-SEP-2016

