



Dealers Industrial Equipment

No.:

Date: 29-SEP-2016

Customer :

TECHNICAL PROPOSAL

Three-phase induction motor - Squirrel cage rotor

Product line : W22 NEMA Premium - Ball Bearings

Catalog Number : 35009ET3G586/7-W22

List Price : \$64,873

Notes:

Downloaded from <http://dealerselectric.com>

Generated for Model #35009ET3G586/7-W22

Performed by:

Checked:



Dealers Industrial Equipment

No.:

Date: 29-SEP-2016

DATA SHEET Three-phase induction motor - Squirrel cage rotor

Customer :
Product line : W22 NEMA Premium - Ball Bearings

Frame : 586/7T
Output : 350 HP
Frequency : 60 Hz
Poles : 8
Full load speed : 895 rpm
Slip : 0.56 %
Voltage : 460 V
Rated current : 426 A
Locked rotor current : 2730 A
Locked rotor current (I_L/I_n) : 6.4
No-load current : 190 A
Full load torque : 2026 lb.ft
Locked rotor torque : 160 %
Breakdown torque : 230 %
Design : B
Insulation class : F
Temperature rise : 80 K
Locked rotor time : 34 s (hot)
Service factor : 1.00
Duty cycle : S1
Ambient temperature : -20°C - +40°C
Altitude : 1000 m
Degree of Protection : IP55
Approximate weight : 4309 lb
Moment of inertia : 484.35 sq.ft.lb
Noise level : 75 dB(A)

	D.E.	N.D.E.
Bearings	6322 C3	6319 C3
Regreasing interval	14000 h	17000 h
Grease amount	60 g	45 g

Load	Power factor	Efficiency (%)
100%	0.80	95.8
75%	0.75	95.8
50%	0.64	95.4

Notes:
Downloaded from <http://dealerselectric.com>
Generated for Model #35009ET3G586/7-W22

Performed by

Checked



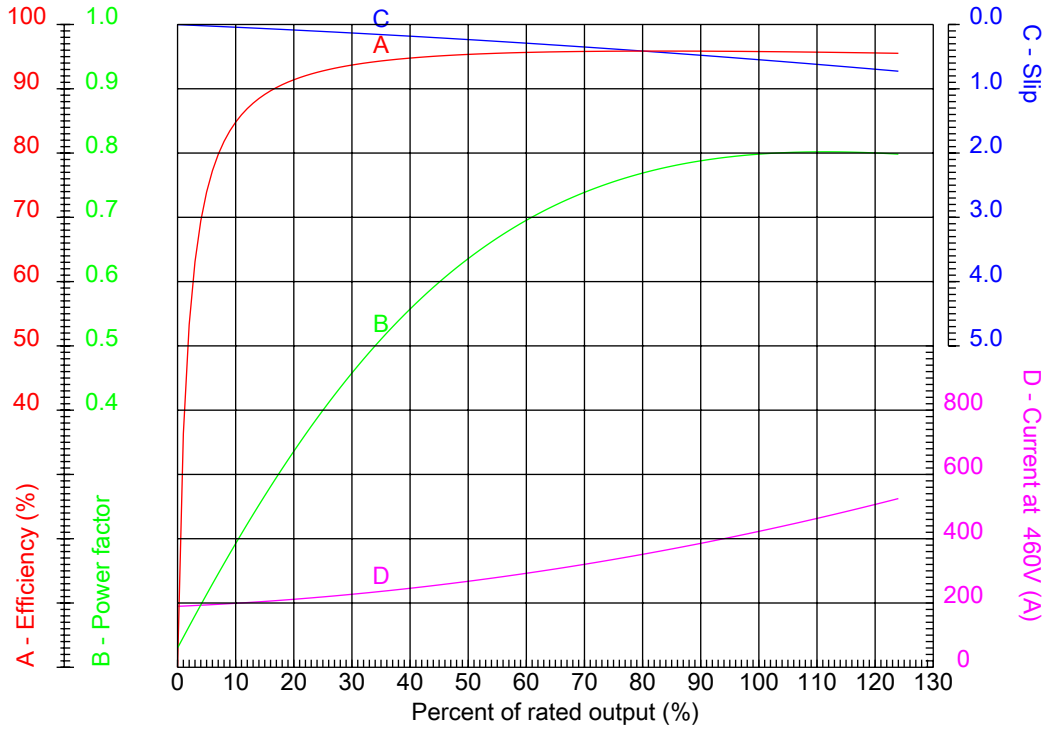
Dealers Industrial Equipment

No.:

Date: 29-SEP-2016

PERFORMANCE CURVES RELATED TO RATED OUTPUT

Three-phase induction motor - Squirrel cage rotor



Customer :
 Product line : W22 NEMA Premium - Ball Bearings

Frame : 586/7T	Locked rotor current (I _l /I _n) : 6.4
Output : 350 HP	Duty cycle : S1
Frequency : 60 Hz	Service factor : 1.00
Full load speed : 895 rpm	Design : B
Voltage : 460 V	Locked rotor torque : 160 %
Rated current : 426 A	Breakdown torque : 230 %
Insulation class : F	

Notes:
 Downloaded from <http://dealerselectric.com>
 Generated for Model #35009ET3G586/7-W22

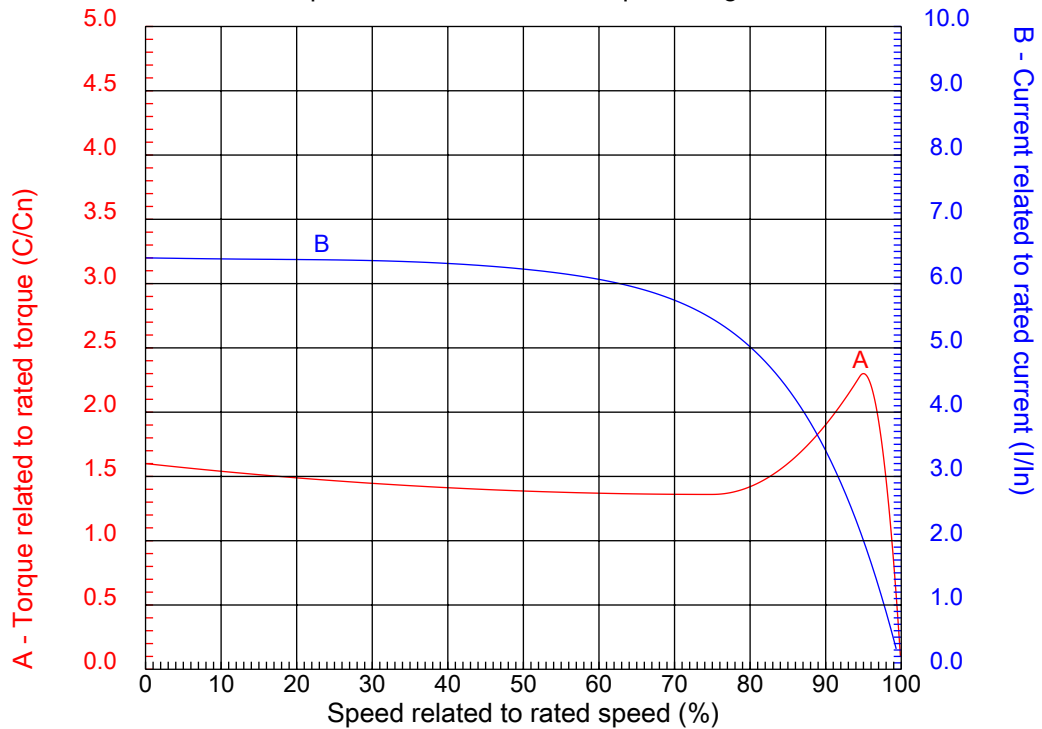
Performed by

Checked



CHARACTERISTIC CURVES RELATED TO SPEED

Three-phase induction motor - Squirrel cage rotor



Customer :
Product line : W22 NEMA Premium - Ball Bearings

Frame	: 586/7T	Locked rotor current (I _l /I _n)	: 6.4
Output	: 350 HP	Duty cycle	: S1
Frequency	: 60 Hz	Service factor	: 1.00
Full load speed	: 895 rpm	Design	: B
Voltage	: 460 V	Locked rotor torque	: 160 %
Rated current	: 426 A	Breakdown torque	: 230 %
Insulation class	: F		

Notes:
Downloaded from <http://dealerselectric.com>
Generated for Model #35009ET3G586/7-W22

Performed by

Checked

1 2 3 4 5 6 7 8

A

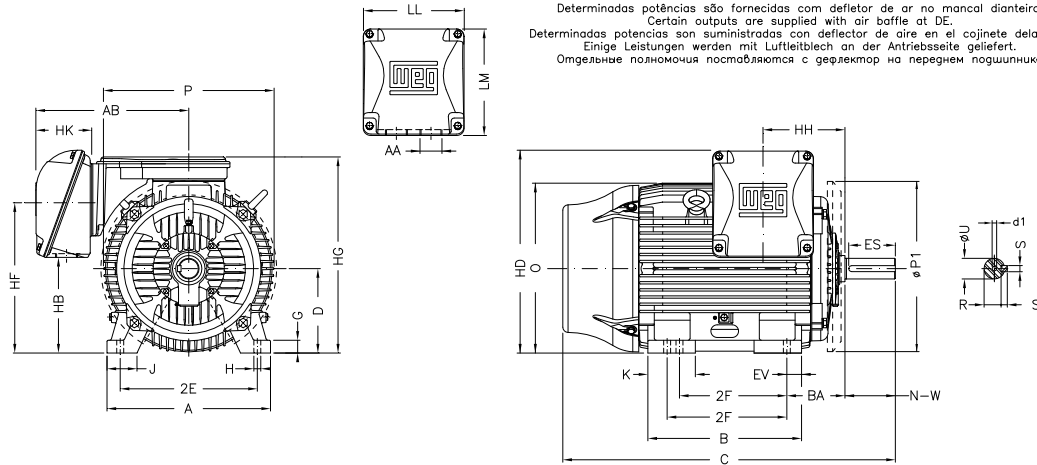
B

C

D

E

F



Notes: Downloaded from <http://dealerselectric.com>
 Generated for Model #35009ET3G586/7-W22

2E 23.000	J 5.512	A 29.528	P 28.977	AB 23.189
2F 22.000/25.000	K 9.055	B 29.921	BA 10.000	U 3.875
N-W 11.625	ES 8.661	S 1.000	R 3.312	depth 1.000
D 14.500	G 2.492	HB 18.575	O 28.985	HD 35.740
HF 26.732	HG 35.236	HH 13.346	HK 8.661	EV 2.559
H 1.181	C 61.902	LL 15.906	LM 17.165	AA 2xNPT 3"
d1 DUNC 7/8"-9				

Performed by:	
Checked:	
Customer:	
W22 NEMA Premium - Ball Bearings	
Three-phase induction motor Frame 586/7T - IP55	29-SEP-2016



1 2 3 4 5 6 7 8

A

PART-WINDING

WYE-DELTA

START

RUN

START

RUN

B



C

L1 L2 L3

L1 L2 L3

L1 L2 L3

L1 L2 L3

D

E

F

Notes: Downloaded from http://dealerselectric.com Generated for Model #35009ET3G586/7-W22		
Performed by:		
Checked:		
Customer:		
W22 NEMA Premium - Ball Bearings		
Three-phase induction motor Frame 586/7T - IP55	29-SEP-2016	