



Dealers Industrial Equipment

No.:

Date: 29-SEP-2016

Customer :

TECHNICAL PROPOSAL

Three-phase induction motor - Squirrel cage rotor

Product line : Fire Pump Motors - ODP Three Phase - Foot Mount and Flange Mount

Catalog Number : 30036OP3GFP445TS

List Price : \$19,556

Notes:

Downloaded from <http://dealerselectric.com>

Generated for Model #30036OP3GFP445TS

Performed by:

Checked:



# Dealers Industrial Equipment

No.:

Date: 29-SEP-2016

## DATA SHEET Three-phase induction motor - Squirrel cage rotor

Customer :  
 Product line : Fire Pump Motors - ODP Three Phase - Foot Mount and Flange Mount

Frame : 444/5TS  
 Output : 300 HP  
 Frequency : 60 Hz  
 Poles : 2  
 Full load speed : 3565 rpm  
 Slip : 0.97 %  
 Voltage : 460 V  
 Rated current : 323 A  
 Locked rotor current : 2030 A  
 Locked rotor current (I<sub>L</sub>/I<sub>n</sub>) : 6.3  
 No-load current : 71.0 A  
 Full load torque : 436 lb.ft  
 Locked rotor torque : 200 %  
 Breakdown torque : 260 %  
 Design : B  
 Insulation class : F  
 Temperature rise : 80 K  
 Locked rotor time : 16 s (hot)  
 Service factor : 1.15  
 Duty cycle : S1  
 Ambient temperature : -20°C - +40°C  
 Altitude : 1000 m  
 Degree of Protection : IP23  
 Approximate weight : 1709 lb  
 Moment of inertia : 33.508 sq.ft.lb  
 Noise level : 85 dB(A)

	D.E.	N.D.E.
Bearings	6314 C3	6314 C3
Regreasing interval	14418 h	14418 h
Grease amount	27 g	27 g

Load	Power factor	Efficiency (%)
100%	0.90	95.0
75%	0.89	95.0
50%	0.84	94.1

Notes:  
 Downloaded from <http://dealerselectric.com>  
 Generated for Model #30036OP3GFP445TS

Performed by

Checked



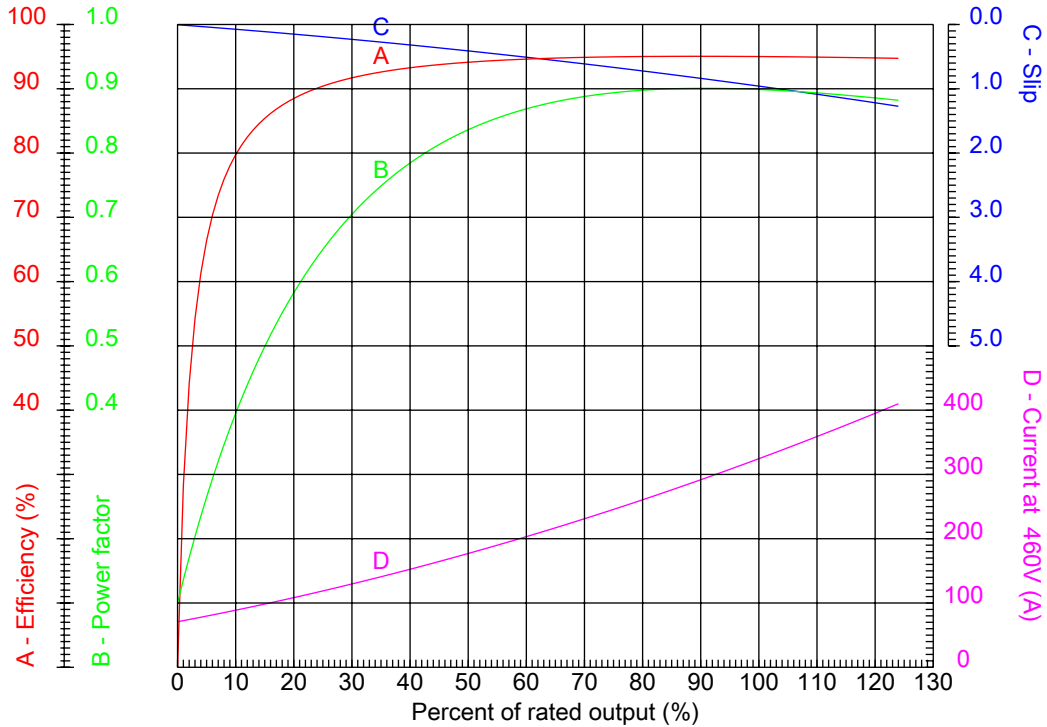
# Dealers Industrial Equipment

No.:

Date: 29-SEP-2016

## PERFORMANCE CURVES RELATED TO RATED OUTPUT

Three-phase induction motor - Squirrel cage rotor



Customer :  
 Product line : Fire Pump Motors - ODP Three Phase - Foot Mount and Flange Mount

Frame : 444/5TS	Locked rotor current (I <sub>l</sub> /I <sub>n</sub> ) : 6.3
Output : 300 HP	Duty cycle : S1
Frequency : 60 Hz	Service factor : 1.15
Full load speed : 3565 rpm	Design : B
Voltage : 460 V	Locked rotor torque : 200 %
Rated current : 323 A	Breakdown torque : 260 %
Insulation class : F	

Notes:  
 Downloaded from <http://dealerselectric.com>  
 Generated for Model #30036OP3GFP445TS

Performed by

Checked



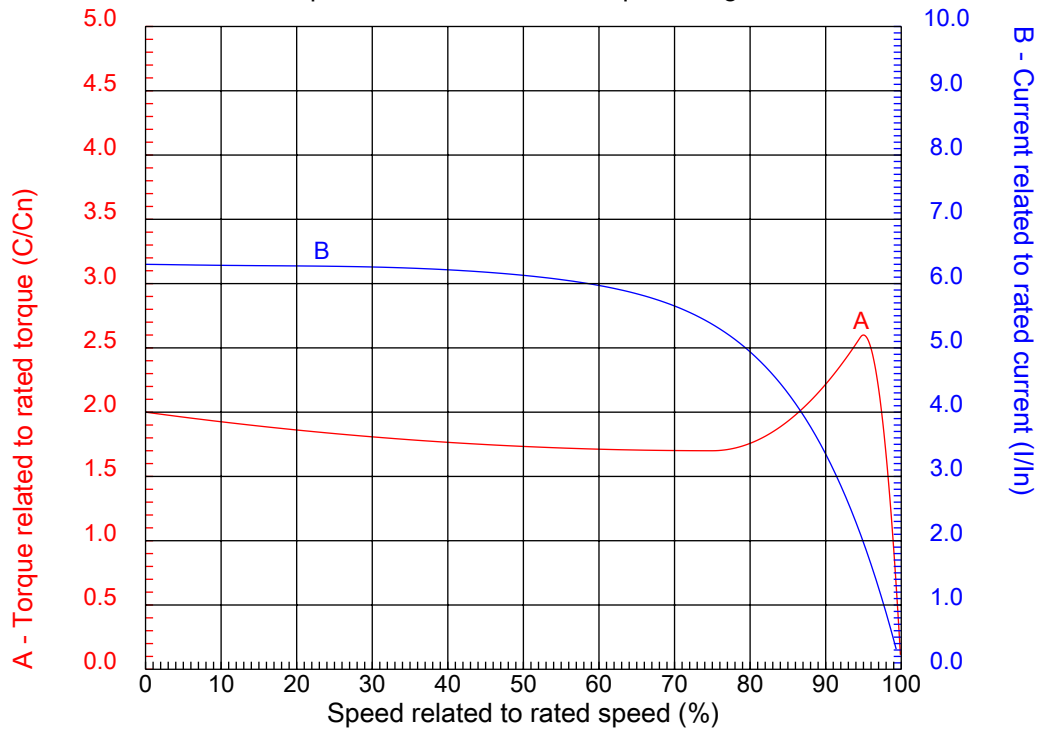
# Dealers Industrial Equipment

No.:

Date: 29-SEP-2016

## CHARACTERISTIC CURVES RELATED TO SPEED

Three-phase induction motor - Squirrel cage rotor



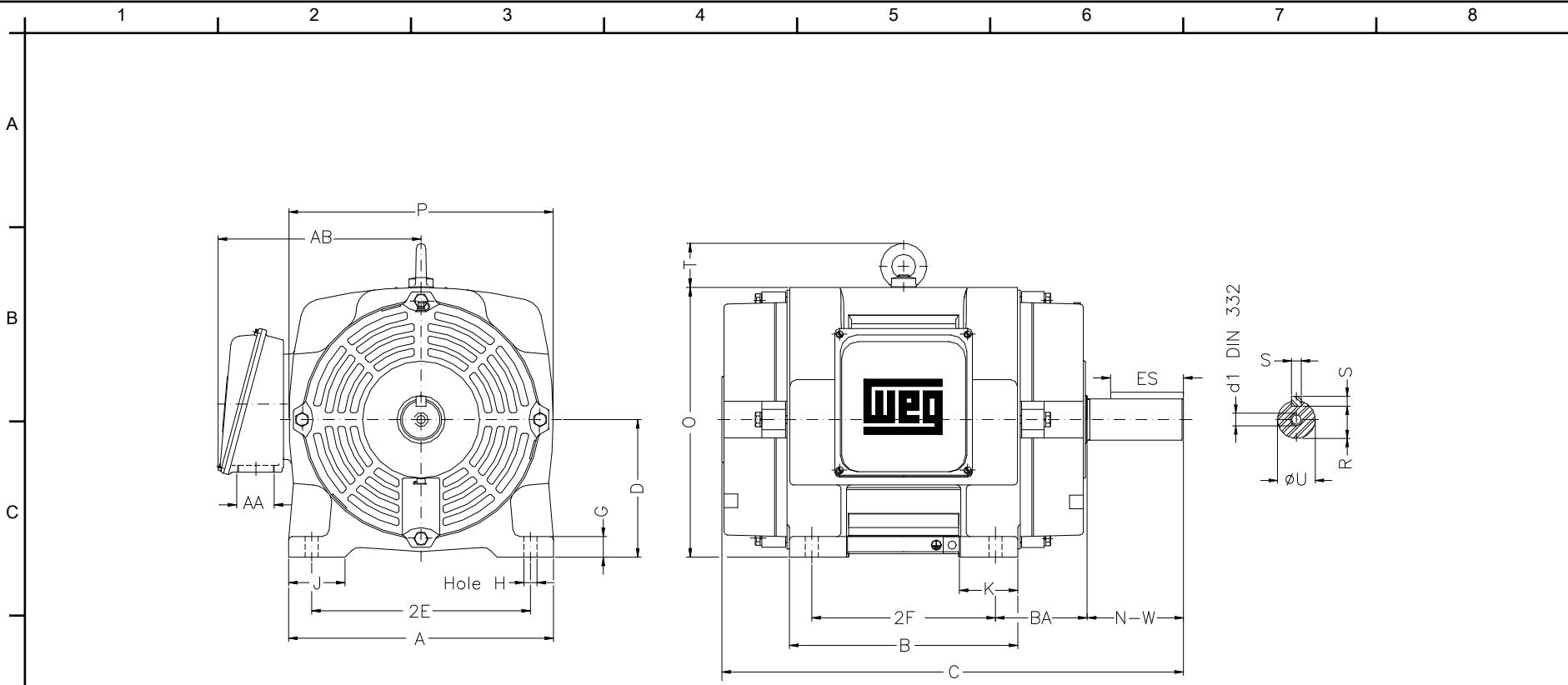
Customer :  
Product line : Fire Pump Motors - ODP Three Phase - Foot Mount and Flange Mount

Frame	: 444/5TS	Locked rotor current (I <sub>l</sub> /I <sub>n</sub> )	: 6.3
Output	: 300 HP	Duty cycle	: S1
Frequency	: 60 Hz	Service factor	: 1.15
Full load speed	: 3565 rpm	Design	: B
Voltage	: 460 V	Locked rotor torque	: 200 %
Rated current	: 323 A	Breakdown torque	: 260 %
Insulation class	: F		

Notes:  
Downloaded from <http://dealerselectric.com>  
Generated for Model #30036OP3GFP445TS

Performed by

Checked



Notes: Downloaded from <http://dealerselectric.com>  
 Generated for Model #30036OP3GFP445TS

Performed by:

Checked:

Customer:

Fire Pump Motors - ODP Three Phase - Foot Mount and Flange Mount

Three-phase induction motor  
 Frame 444/5TS - IP23

29-SEP-2016



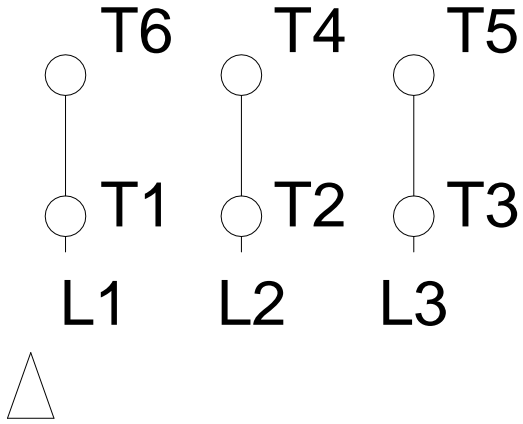
2E 18.000	A 21.929	2F 14.500/16.500	B 20.078	BA 7.500
J 3.937	K 5.590	P 22.125	ES 3.000	depth 0.625
S 0.625	D 11.000	N-W 4.750	G 1.811	U 2.375
O 22.440	T 3.544	R 2.021	H 0.807	AB 20.236
C 36.062	AA 2xNPT 3"	d1 DUNC 3/4"-10		

1 2 3 4 5 6 7 8

A  
B  
C  
D  
E  
F

### RUN

### ONLY FOR START



Notes: Downloaded from <a href="http://dealerselectric.com">http://dealerselectric.com</a> Generated for Model #30036OP3GFP445TS		
Performed by:		
Checked:		
Customer:		
Fire Pump Motors - ODP Three Phase - Foot Mount and Flange Mount		
Three-phase induction motor Frame 444/5TS - IP23	29-SEP-2016	