



Dealers Industrial Equipment

No.:

Date: 29-SEP-2016

Customer :

TECHNICAL PROPOSAL

Three-phase induction motor - Squirrel cage rotor

Product line : Three-Phase: W22 IE2 IEC Tru-Metric - TEFC (IP55) Cast Iron Frame

Catalog Number : 30018EP3Y355M/L-W22

List Price : \$53,832

Notes:

Downloaded from <http://dealerselectric.com>

Generated for Model #30018EP3Y355M/L-W22

Performed by:

Checked:



Dealers Industrial Equipment

No.:

Date: 29-SEP-2016

DATA SHEET

Three-phase induction motor - Squirrel cage rotor

Customer :
 Product line : Three-Phase: W22 IE2 IEC Tru-Metric - TEFC (IP55) Cast Iron Frame

Frame : 355M/L
 Output : 400 HP
 Frequency : 60 Hz
 Poles : 4
 Full load speed : 1790 rpm
 Slip : 0.56 %
 Voltage : 460 V
 Rated current : 462 A
 Locked rotor current : 3790 A
 Locked rotor current (I_L/I_n) : 8.2
 No-load current : 176 A
 Full load torque : 1158 lb.ft
 Locked rotor torque : 250 %
 Breakdown torque : 260 %
 Design : ---
 Insulation class : F
 Temperature rise : 80 K
 Locked rotor time : 18 s (hot)
 Service factor : 1.15
 Duty cycle : S1
 Ambient temperature : -20°C - +40°C
 Altitude : 1000 m
 Degree of Protection : IP55
 Approximate weight : 3330 lb
 Moment of inertia : 203.86 sq.ft.lb
 Noise level : 81 dB(A)

	D.E.	N.D.E.
Bearings	6322 C3	6319 C3
Regreasing interval	6000 h	8000 h
Grease amount	60 g	45 g

Load	Power factor	Efficiency (%)
100%	0.85	95.8
75%	0.82	95.4
50%	0.71	95.0

Notes:
 Downloaded from <http://dealerselectric.com>
 Generated for Model #30018EP3Y355M/L-W22

Performed by

Checked



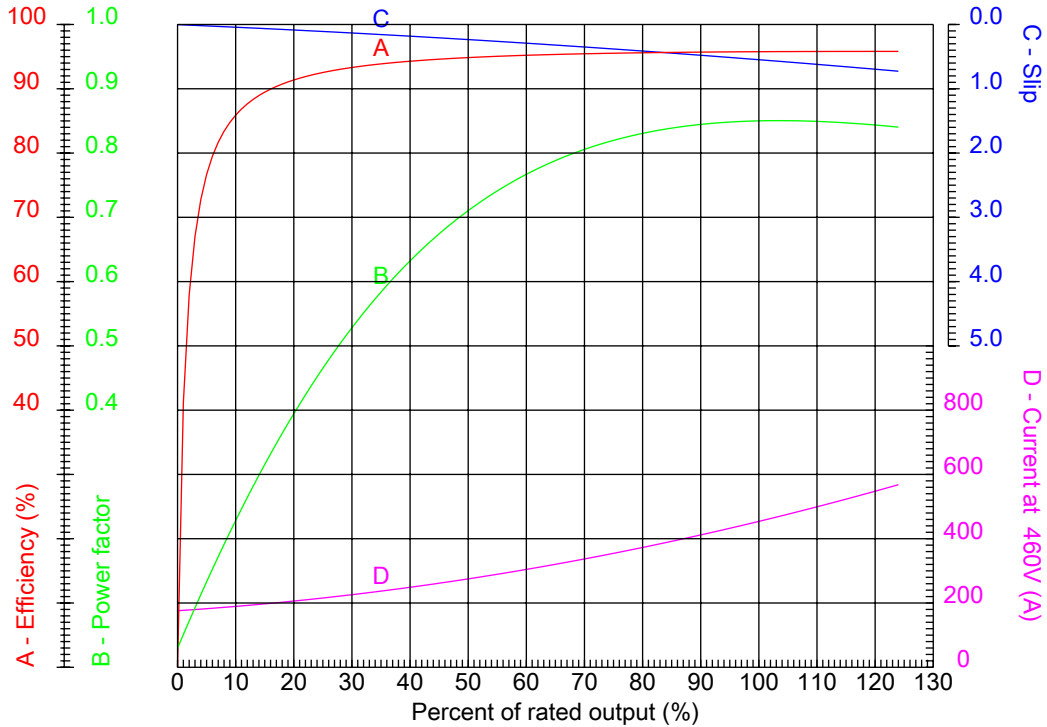
Dealers Industrial Equipment

No.:

Date: 29-SEP-2016

PERFORMANCE CURVES RELATED TO RATED OUTPUT

Three-phase induction motor - Squirrel cage rotor



Customer :
 Product line : Three-Phase: W22 IE2 IEC Tru-Metric - TEFC (IP55) Cast Iron Frame

Frame	: 355M/L	Locked rotor current (I _l /I _n)	: 8.2
Output	: 400 HP	Duty cycle	: S1
Frequency	: 60 Hz	Service factor	: 1.15
Full load speed	: 1790 rpm	Design	: ---
Voltage	: 460 V	Locked rotor torque	: 250 %
Rated current	: 462 A	Breakdown torque	: 260 %
Insulation class	: F		

Notes:
 Downloaded from <http://dealerselectric.com>
 Generated for Model #30018EP3Y355M/L-W22

Performed by

Checked



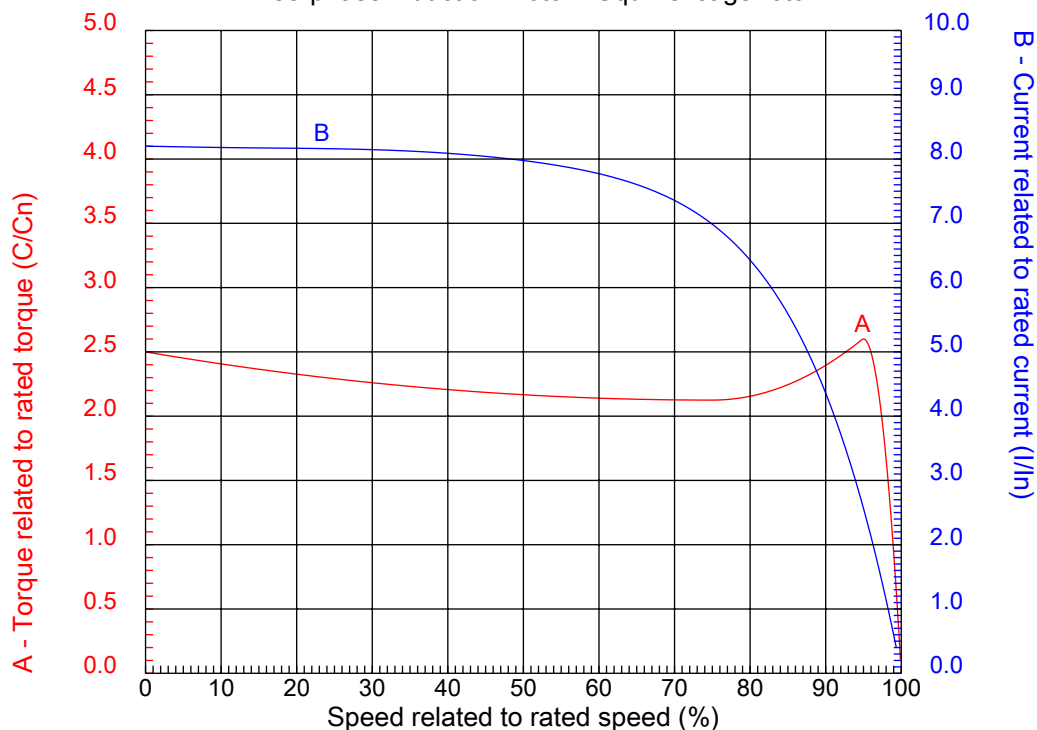
Dealers Industrial Equipment

No.:

Date: 29-SEP-2016

CHARACTERISTIC CURVES RELATED TO SPEED

Three-phase induction motor - Squirrel cage rotor



Customer :
Product line : Three-Phase: W22 IE2 IEC Tru-Metric - TEFC (IP55) Cast Iron Frame

Frame	: 355M/L	Locked rotor current (I _l /I _n)	: 8.2
Output	: 400 HP	Duty cycle	: S1
Frequency	: 60 Hz	Service factor	: 1.15
Full load speed	: 1790 rpm	Design	: ---
Voltage	: 460 V	Locked rotor torque	: 250 %
Rated current	: 462 A	Breakdown torque	: 260 %
Insulation class	: F		

Notes:
Downloaded from <http://dealerselectric.com>
Generated for Model #30018EP3Y355M/L-W22

Performed by

Checked

1 2 3 4 5 6 7 8

A

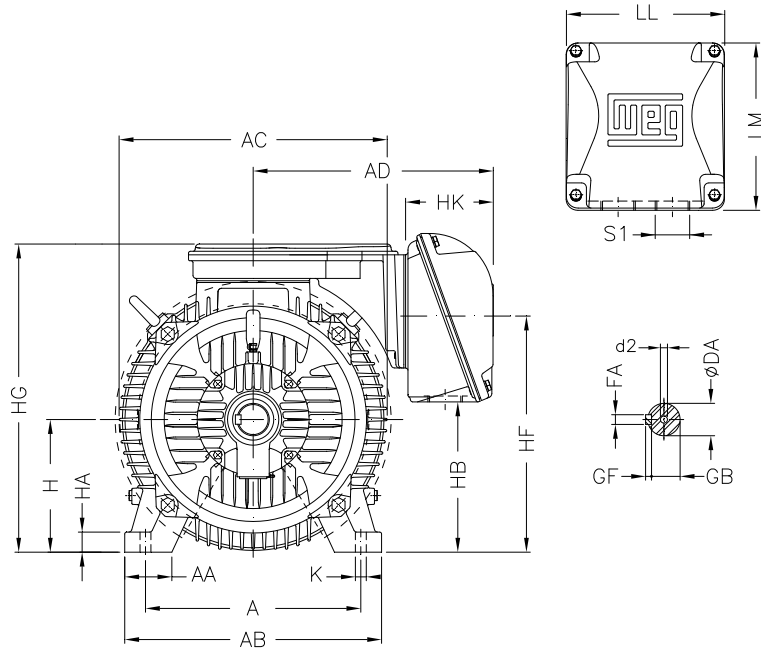
B

C

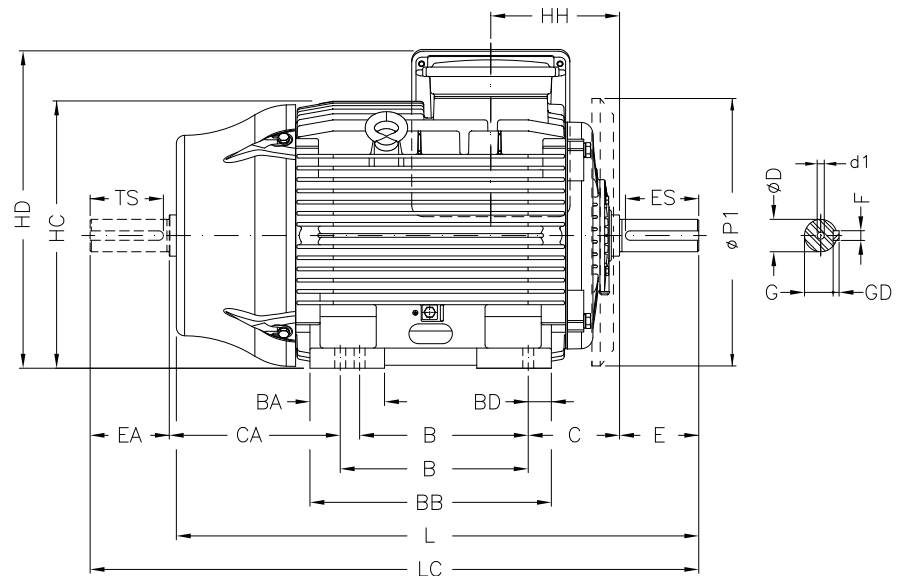
D

E

F



Determinadas potências são fornecidas com defletor de ar no mancal dianteiro.
 Certain outputs are supplied with air baffle at DE.
 Determinadas potencias son suministradas con deflector de aire en el cojinete delantero.
 Einige Leistungen werden mit Luftleitblech an der Antriebsseite geliefert.
 Отдельные полномочия поставляются с дефлектор на переднем подшипнике.



Notes: Downloaded from <http://dealerselectric.com>
 Generated for Model #30018EP3Y355M/L-W22

Performed by:

Checked:

Customer:

Three-Phase: W22 IE2 IEC Tru-Metric - TEFC (IP55) Cast Iron Frame

Three-phase induction motor
 Frame 355M/L - IP55

29-SEP-2016



A 610	AA 140	AB 750	AC 736	AD 609
B 560/630	BA 230	BB 760	C 254	CA 483/413
D 100m6	E 210	ES 200	F 28	G 90
GD 16	DA 80m6	EA 170	TS 160	FA 22
GB 71	GF 14	H 355	HA 50	HB 461
HC 723	HD 898	HF 700	HG 885	HH 339
HK 220	K 28	L 1482	LC 1677	LL 404
LM 436	S1 2xM63x1.5	d1 DM24	d2 DM20	