



Dealers Industrial Equipment

No.:

Date: 29-SEP-2016

Customer :

TECHNICAL PROPOSAL

Three-phase induction motor - Squirrel cage rotor

Product line : ODP – Open Induction Motors – High Efficiency

Catalog Number : 30012OP3G447/9T

List Price : \$26,188

Notes:

Downloaded from <http://dealerselectric.com>

Generated for Model #30012OP3G447/9T

Performed by:

Checked:



Dealers Industrial Equipment

No.:

Date: 29-SEP-2016

DATA SHEET Three-phase induction motor - Squirrel cage rotor

Customer :
 Product line : ODP – Open Induction Motors – High Efficiency

Frame : 447/9T
 Output : 300 HP
 Frequency : 60 Hz
 Poles : 6
 Full load speed : 1190 rpm
 Slip : 0.83 %
 Voltage : 460 V
 Rated current : 357 A
 Locked rotor current : 2390 A
 Locked rotor current (I_L/I_n) : 6.7
 No-load current : 175 A
 Full load torque : 1306 lb.ft
 Locked rotor torque : 220 %
 Breakdown torque : 240 %
 Design : A
 Insulation class : F
 Temperature rise : 80 K
 Locked rotor time : 18 s (hot)
 Service factor : 1.15
 Duty cycle : S1
 Ambient temperature : -20°C - +40°C
 Altitude : 1000 m
 Degree of Protection : IP23
 Approximate weight : 2646 lb
 Moment of inertia : 130.89 sq.ft.lb
 Noise level : 79 dB(A)

	D.E.	N.D.E.
Bearings	6319 C3	6316 C3
Regreasing interval	20000 h	20000 h
Grease amount	45 g	34 g

Load	Power factor	Efficiency (%)
100%	0.81	95.4
75%	0.77	95.4
50%	0.67	95.0

Notes:
 Downloaded from <http://dealerselectric.com>
 Generated for Model #30012OP3G447/9T

Performed by

Checked



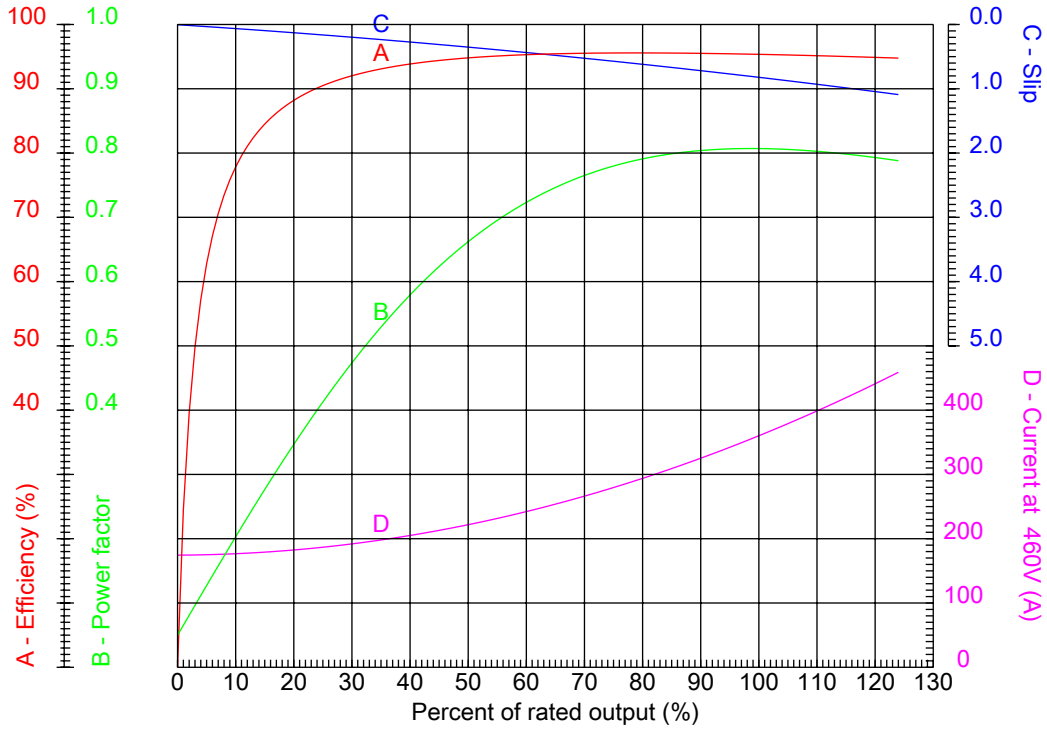
Dealers Industrial Equipment

No.:

Date: 29-SEP-2016

PERFORMANCE CURVES RELATED TO RATED OUTPUT

Three-phase induction motor - Squirrel cage rotor



Customer :
 Product line : ODP – Open Induction Motors – High Efficiency

Frame	: 447/9T	Locked rotor current (I _l /I _n)	: 6.7
Output	: 300 HP	Duty cycle	: S1
Frequency	: 60 Hz	Service factor	: 1.15
Full load speed	: 1190 rpm	Design	: A
Voltage	: 460 V	Locked rotor torque	: 220 %
Rated current	: 357 A	Breakdown torque	: 240 %
Insulation class	: F		

Notes:
 Downloaded from <http://dealerselectric.com>
 Generated for Model #30012OP3G447/9T

Performed by

Checked



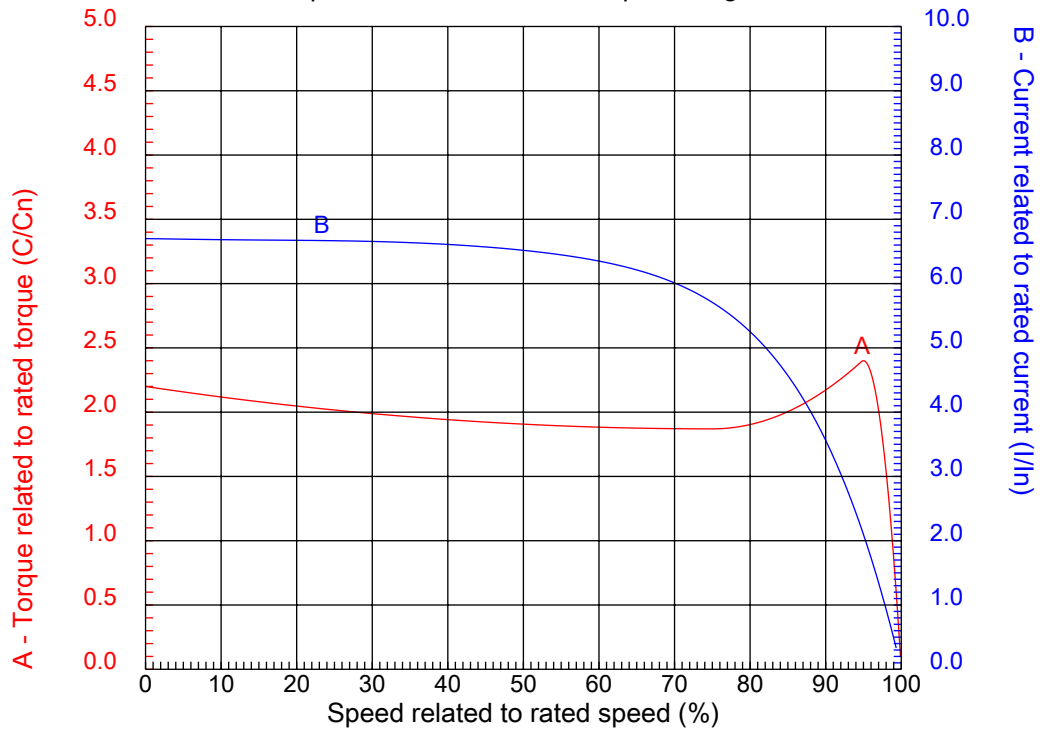
Dealers Industrial Equipment

No.:

Date: 29-SEP-2016

CHARACTERISTIC CURVES RELATED TO SPEED

Three-phase induction motor - Squirrel cage rotor



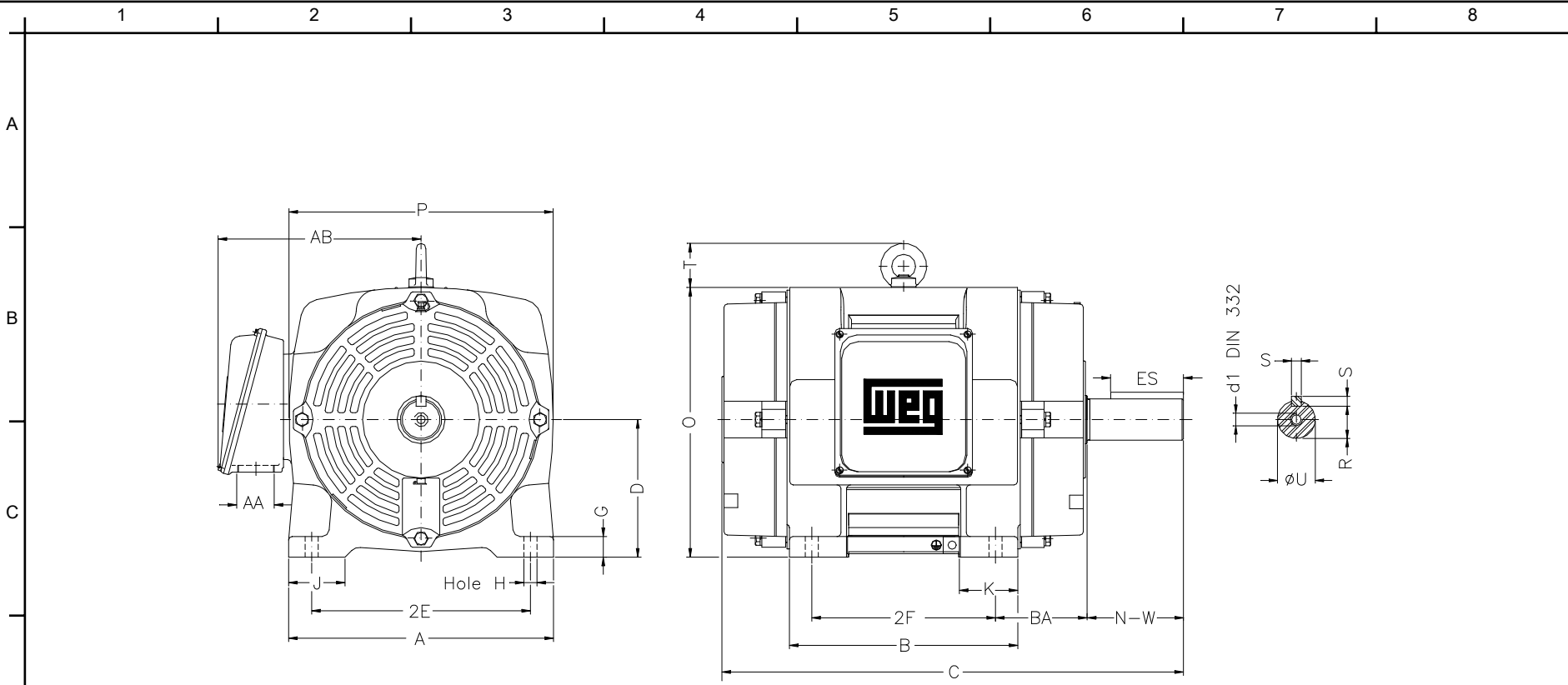
Customer :
Product line : ODP – Open Induction Motors – High Efficiency

Frame	: 447/9T	Locked rotor current (I _l /I _n)	: 6.7
Output	: 300 HP	Duty cycle	: S1
Frequency	: 60 Hz	Service factor	: 1.15
Full load speed	: 1190 rpm	Design	: A
Voltage	: 460 V	Locked rotor torque	: 220 %
Rated current	: 357 A	Breakdown torque	: 240 %
Insulation class	: F		

Notes:
Downloaded from <http://dealerselectric.com>
Generated for Model #30012OP3G447/9T

Performed by

Checked



Notes: Downloaded from <http://dealerselectric.com>
 Generated for Model #30012OP3G447/9T

Performed by:

Checked:

Customer:

2E 18.000	A 21.929	2F 20.000/25.000	B 28.898	BA 7.500
J 3.937	K 10.47	P 22.126	ES 7.087	depth 0.875
S 0.875	D 11.000	N-W 8.500	G 1.811	U 3.375
O 22.441	T 3.543	R 2.880	H 0.807	AB 23.464
C 48.317	AA 2xNPT 3"	d1 DUNC 3/4"-10		

ODP – Open Induction Motors – High Efficiency

Three-phase induction motor
 Frame 447/9T - IP23

29-SEP-2016



1 2 3 4 5 6 7 8

A

PART-WINDING

WYE-DELTA

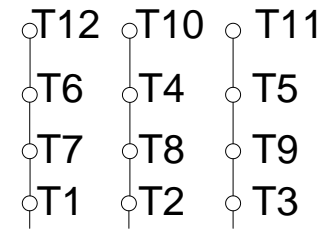
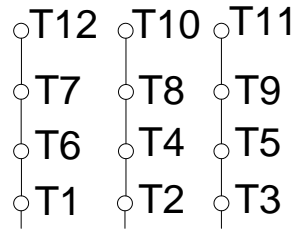
START

RUN

START

RUN

B



C

L1 L2 L3

L1 L2 L3

L1 L2 L3

L1 L2 L3

D

E

F

Notes: Downloaded from <http://dealerselectric.com>
Generated for Model #30012OP3G447/9T

Performed by:

Checked:

Customer:

ODP – Open Induction Motors – High Efficiency

Three-phase induction motor
Frame 447/9T - IP23

29-SEP-2016

