



Dealers Industrial Equipment

No.:

Date: 29-SEP-2016

Customer :

TECHNICAL PROPOSAL

Three-phase induction motor - Squirrel cage rotor

Product line : Three-Phase: W22 IE2 IEC Tru-Metric - TEFC (IP55) Cast Iron Frame

Catalog Number : 30012EP3Y355M/L-W22

List Price : \$ Contact us for new item

Notes:

Downloaded from <http://dealerselectric.com>

Generated for Model #30012EP3Y355M/L-W22

Performed by:

Checked:



Dealers Industrial Equipment

No.:

Date: 29-SEP-2016

DATA SHEET Three-phase induction motor - Squirrel cage rotor

Customer :
 Product line : Three-Phase: W22 IE2 IEC Tru-Metric - TEFC (IP55) Cast Iron Frame

Frame : 355M/L
 Output : 400 HP
 Frequency : 60 Hz
 Poles : 6
 Full load speed : 1190 rpm
 Slip : 0.83 %
 Voltage : 460 V
 Rated current : 513 A
 Locked rotor current : 3800 A
 Locked rotor current (I_L/I_n) : 7.4
 No-load current : 250 A
 Full load torque : 1741 lb.ft
 Locked rotor torque : 250 %
 Breakdown torque : 250 %
 Design : ---
 Insulation class : F
 Temperature rise : 80 K
 Locked rotor time : 30 s (hot)
 Service factor : 1.15
 Duty cycle : S1
 Ambient temperature : -20°C - +40°C
 Altitude : 1000 m
 Degree of Protection : IP55
 Approximate weight : 4190 lb
 Moment of inertia : 340.01 sq.ft.lb
 Noise level : 77 dB(A)

	D.E.	N.D.E.
Bearings	6322 C3	6319 C3
Regreasing interval	11000 h	13000 h
Grease amount	60 g	45 g

Load	Power factor	Efficiency (%)
100%	0.77	95.4
75%	0.70	95.4
50%	0.57	95.0

Notes:
 Downloaded from <http://dealerselectric.com>
 Generated for Model #30012EP3Y355M/L-W22

Performed by

Checked



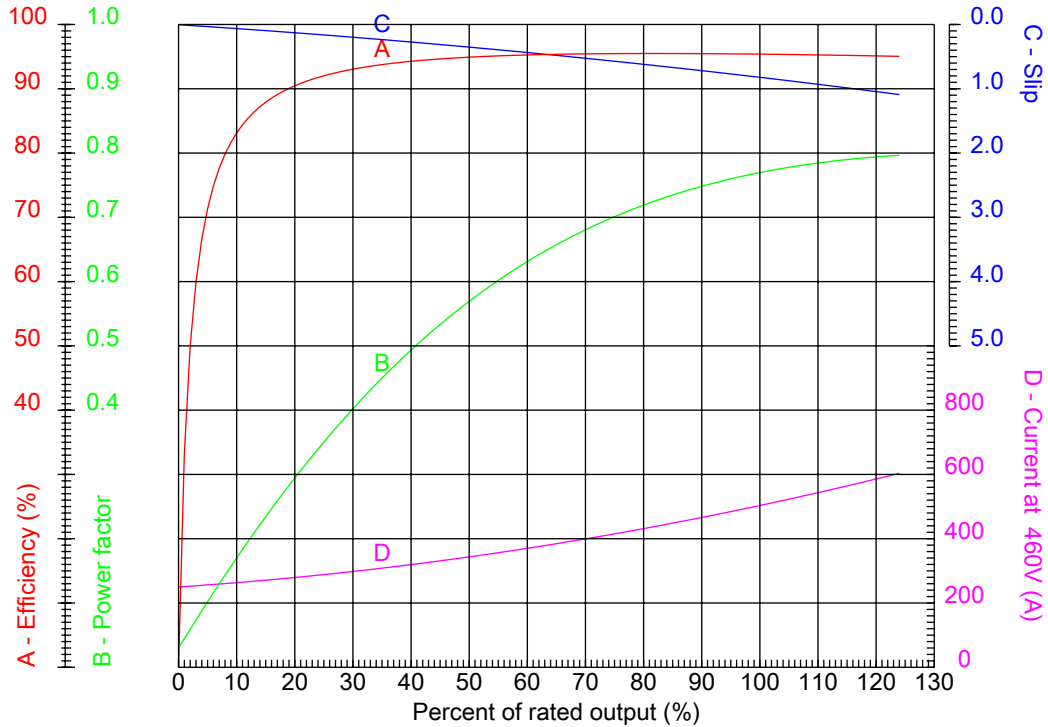
Dealers Industrial Equipment

No.:

Date: 29-SEP-2016

PERFORMANCE CURVES RELATED TO RATED OUTPUT

Three-phase induction motor - Squirrel cage rotor



Customer :
Product line : Three-Phase: W22 IE2 IEC Tru-Metric - TEFC (IP55) Cast Iron Frame

Frame : 355M/L	Locked rotor current (I _l /I _n) : 7.4
Output : 400 HP	Duty cycle : S1
Frequency : 60 Hz	Service factor : 1.15
Full load speed : 1190 rpm	Design : ---
Voltage : 460 V	Locked rotor torque : 250 %
Rated current : 513 A	Breakdown torque : 250 %
Insulation class : F	

Notes:
Downloaded from <http://dealerselectric.com>
Generated for Model #30012EP3Y355M/L-W22

Performed by

Checked



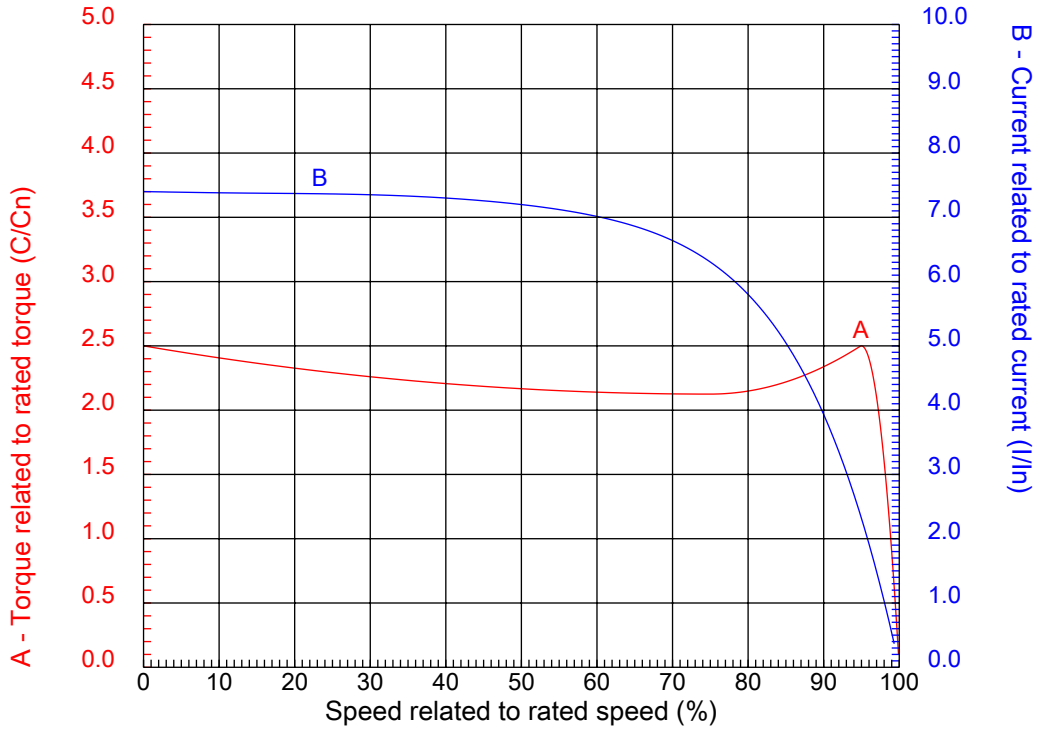
Dealers Industrial Equipment

No.:

Date: 29-SEP-2016

CHARACTERISTIC CURVES RELATED TO SPEED

Three-phase induction motor - Squirrel cage rotor



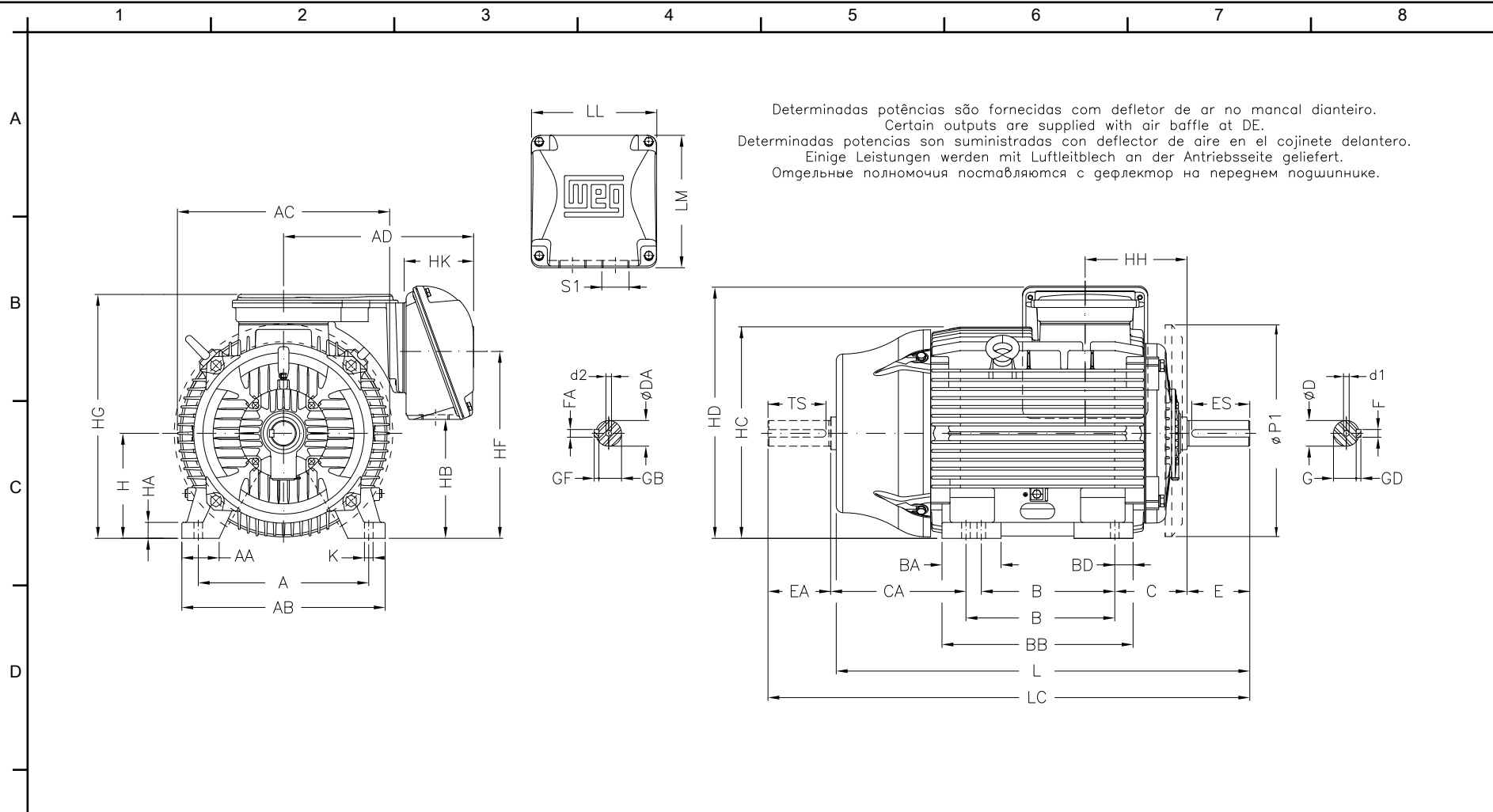
Customer :
 Product line : Three-Phase: W22 IE2 IEC Tru-Metric - TEFC (IP55) Cast Iron Frame

Frame	: 355M/L	Locked rotor current (I _l /I _n)	: 7.4
Output	: 400 HP	Duty cycle	: S1
Frequency	: 60 Hz	Service factor	: 1.15
Full load speed	: 1190 rpm	Design	: ---
Voltage	: 460 V	Locked rotor torque	: 250 %
Rated current	: 513 A	Breakdown torque	: 250 %
Insulation class	: F		

Notes:
 Downloaded from <http://dealerselectric.com>
 Generated for Model #30012EP3Y355M/L-W22

Performed by

Checked



Determinadas potências são fornecidas com defletor de ar no mancal dianteiro.
 Certain outputs are supplied with air baffle at DE.
 Determinadas potencias son suministradas con deflector de aire en el cojinete delantero.
 Einige Leistungen werden mit Luftleitblech an der Antriebsseite geliefert.
 Отдельные полномочия поставляются с дефлектор на переднем подшипнике.

E	A	AA	AB	AC	AD	Notes: Downloaded from http://dealerselectric.com Generated for Model #30012EP3Y355M/L-W22
	610	140	750	736	609	
D	B	BA	BB	C	CA	Performed by:
	560/630	230	760	254	483/413	
C	D	E	ES	F	G	Checked:
	100m6	210	200	28	90	
B	GD	DA	EA	TS	FA	Customer:
	16	80m6	170	160	22	
A	GB	GF	H	HA	HB	Three-Phase: W22 IE2 IEC Tru-Metric - TEFC (IP55) Cast Iron Frame
	71	14	355	50	461	
F	HC	HD	HF	HG	HH	Three-phase induction motor
	723	898	700	885	339	
A	HK	K	L	LC	LL	Frame 355M/L - IP55
	220	28	1482	1677	404	
A	LM	S1	d1	d2		29-SEP-2016
	436	2xM63x1.5	DM24	DM20		

