



Dealers Industrial Equipment

No.:

Date: 28-SEP-2016

Customer :

TECHNICAL PROPOSAL

Three-phase induction motor - Squirrel cage rotor

Product line : Three-Phase: W22 IE2 IEC Tru-Metric - TEFC (IP55) Cast Iron Frame

Catalog Number : 26018EP3Y355M/L-W22

List Price : \$39,072

Notes:

Downloaded from <http://dealerselectric.com>

Generated for Model #26018EP3Y355M/L-W22

Performed by:

Checked:



Dealers Industrial Equipment

No.:

Date: 28-SEP-2016

DATA SHEET

Three-phase induction motor - Squirrel cage rotor

Customer :
 Product line : Three-Phase: W22 IE2 IEC Tru-Metric - TEFC (IP55) Cast Iron Frame

Frame : 355M/L
 Output : 350 HP
 Frequency : 60 Hz
 Poles : 4
 Full load speed : 1790 rpm
 Slip : 0.56 %
 Voltage : 460 V
 Rated current : 401 A
 Locked rotor current : 3130 A
 Locked rotor current (I_L/I_n) : 7.8
 No-load current : 138 A
 Full load torque : 1013 lb.ft
 Locked rotor torque : 240 %
 Breakdown torque : 270 %
 Design : ---
 Insulation class : F
 Temperature rise : 80 K
 Locked rotor time : 18 s (hot)
 Service factor : 1.15
 Duty cycle : S1
 Ambient temperature : -20°C - +40°C
 Altitude : 1000 m
 Degree of Protection : IP55
 Approximate weight : 3241 lb
 Moment of inertia : 183.38 sq.ft.lb
 Noise level : 81 dB(A)

| | D.E. | N.D.E. |
|---------------------|---------|---------|
| Bearings | 6322 C3 | 6319 C3 |
| Regreasing interval | 6000 h | 8000 h |
| Grease amount | 60 g | 45 g |

| Load | Power factor | Efficiency (%) |
|------|--------------|----------------|
| 100% | 0.85 | 95.8 |
| 75% | 0.81 | 95.4 |
| 50% | 0.70 | 95.0 |

Notes:
 Downloaded from <http://dealerselectric.com>
 Generated for Model #26018EP3Y355M/L-W22

Performed by

Checked



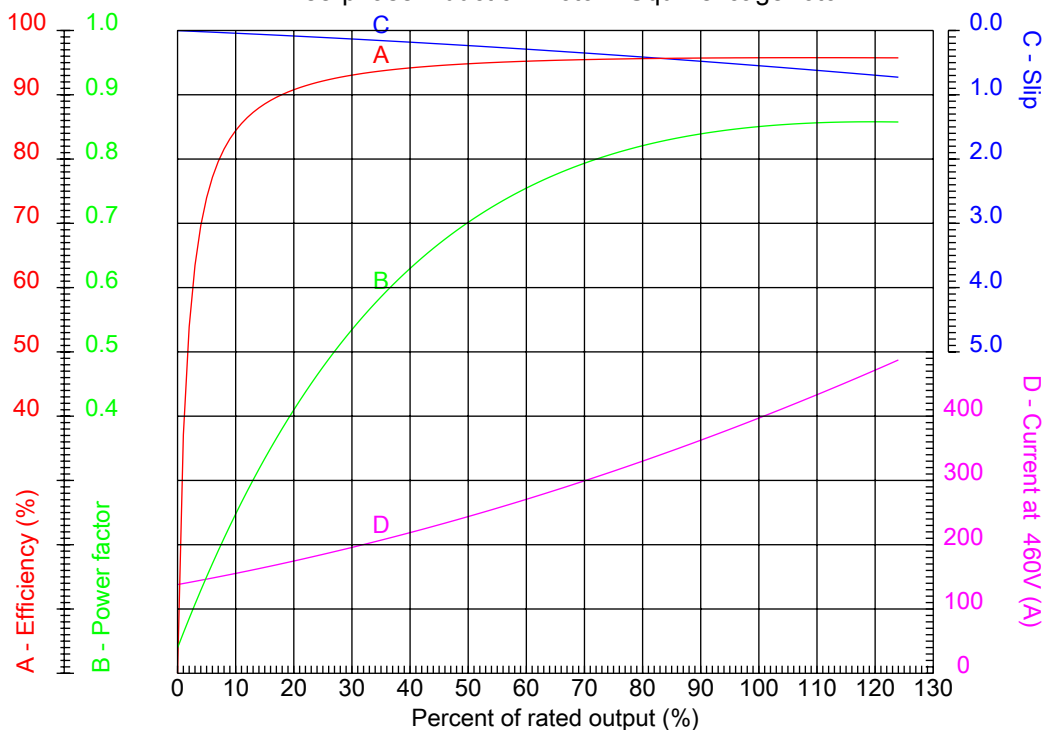
Dealers Industrial Equipment

No.:

Date: 28-SEP-2016

PERFORMANCE CURVES RELATED TO RATED OUTPUT

Three-phase induction motor - Squirrel cage rotor



Customer :
 Product line : Three-Phase: W22 IE2 IEC Tru-Metric - TEFC (IP55) Cast Iron Frame

| | | | |
|------------------|------------|--|---------|
| Frame | : 355M/L | Locked rotor current (I _l /I _n) | : 7.8 |
| Output | : 350 HP | Duty cycle | : S1 |
| Frequency | : 60 Hz | Service factor | : 1.15 |
| Full load speed | : 1790 rpm | Design | : --- |
| Voltage | : 460 V | Locked rotor torque | : 240 % |
| Rated current | : 401 A | Breakdown torque | : 270 % |
| Insulation class | : F | | |

Notes:
 Downloaded from <http://dealerselectric.com>
 Generated for Model #26018EP3Y355M/L-W22

Performed by

Checked



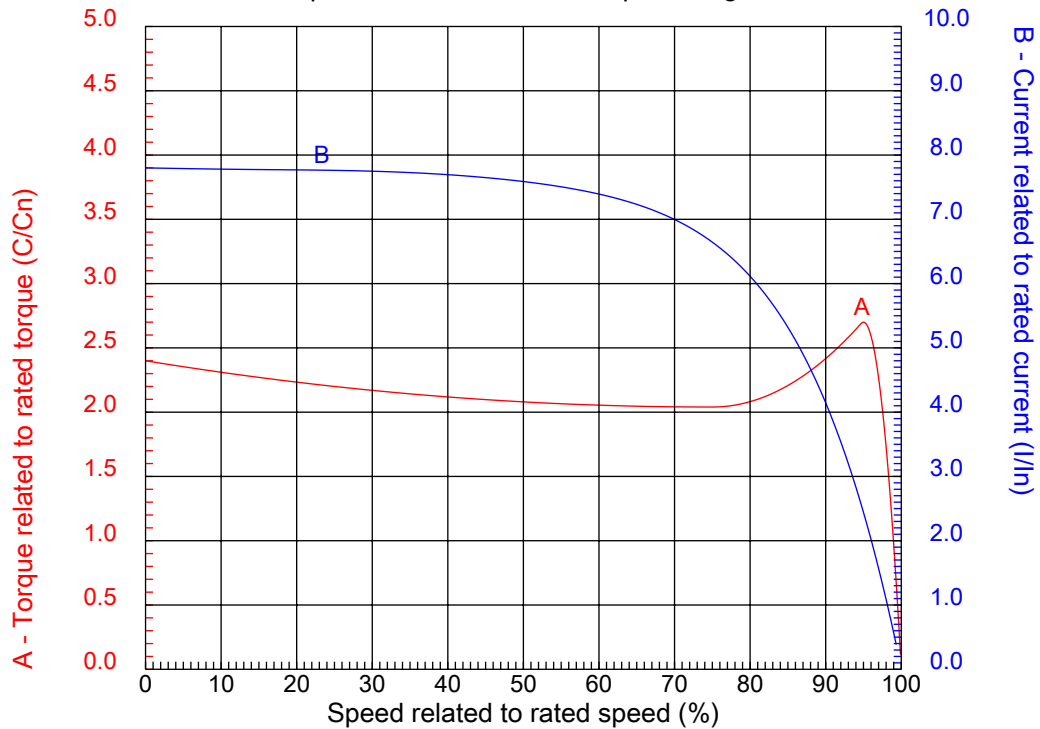
Dealers Industrial Equipment

No.:

Date: 28-SEP-2016

CHARACTERISTIC CURVES RELATED TO SPEED

Three-phase induction motor - Squirrel cage rotor



Customer :
Product line : Three-Phase: W22 IE2 IEC Tru-Metric - TEFC (IP55) Cast Iron Frame

| | | | |
|------------------|------------|--|---------|
| Frame | : 355M/L | Locked rotor current (I _l /I _n) | : 7.8 |
| Output | : 350 HP | Duty cycle | : S1 |
| Frequency | : 60 Hz | Service factor | : 1.15 |
| Full load speed | : 1790 rpm | Design | : --- |
| Voltage | : 460 V | Locked rotor torque | : 240 % |
| Rated current | : 401 A | Breakdown torque | : 270 % |
| Insulation class | : F | | |

Notes:
Downloaded from <http://dealerselectric.com>
Generated for Model #26018EP3Y355M/L-W22

Performed by

Checked

1 2 3 4 5 6 7 8

A

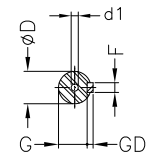
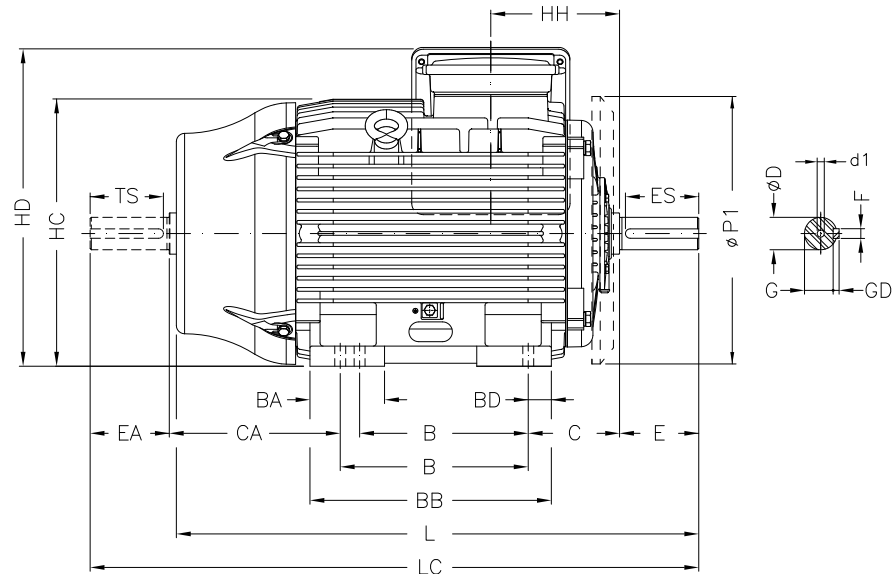
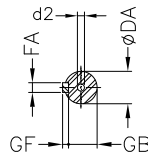
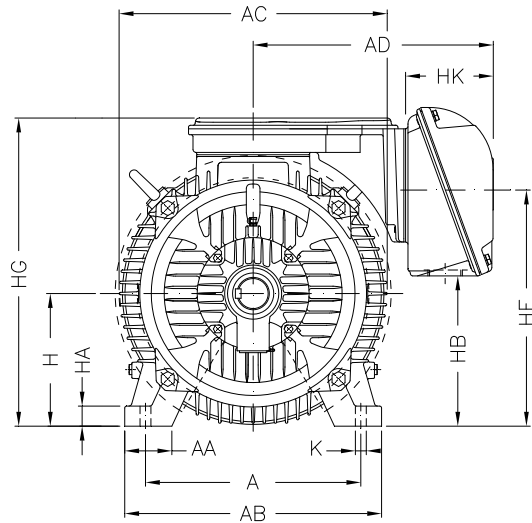
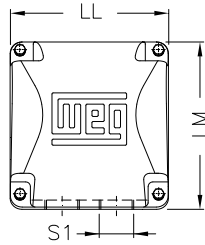
B

C

D

E

F



Determinadas potências são fornecidas com defletor de ar no mancal dianteiro.
 Certain outputs are supplied with air baffle at DE.
 Determinadas potencias son suministradas con deflector de aire en el cojinete delantero.
 Einige Leistungen werden mit Luftleitblech an der Antriebsseite geliefert.
 Отдельные полномочия поставляются с дефлектор на переднем подшипнике.

Notes: Downloaded from <http://dealerselectric.com>
 Generated for Model #26018EP3Y355M/L-W22

Performed by:

Checked:

Customer:

Three-Phase: W22 IE2 IEC Tru-Metric - TEFC (IP55) Cast Iron Frame

Three-phase induction motor
 Frame 355M/L - IP55

28-SEP-2016



| | | | | |
|---------|-----------|------|------|---------|
| A | AA | AB | AC | AD |
| 610 | 140 | 750 | 736 | 609 |
| B | BA | BB | C | CA |
| 560/630 | 230 | 760 | 254 | 483/413 |
| D | E | ES | F | G |
| 100m6 | 210 | 200 | 28 | 90 |
| GD | DA | EA | TS | FA |
| 16 | 80m6 | 170 | 160 | 22 |
| GB | GF | H | HA | HB |
| 71 | 14 | 355 | 50 | 461 |
| HC | HD | HF | HG | HH |
| 723 | 898 | 700 | 885 | 339 |
| HK | K | L | LC | LL |
| 220 | 28 | 1482 | 1677 | 404 |
| LM | S1 | d1 | d2 | |
| 436 | 2xM63x1.5 | DM24 | DM20 | |

1 2 3 4 5 6 7 8

LOW VOLTAGE

HIGH VOLTAGE

A
B
C
D
E
F



| | | |
|--|-------------|--|
| Notes: Downloaded from http://dealerselectric.com Generated for Model #26018EP3Y355M/L-W22 | | |
| Performed by: | | |
| Checked: | | |
| Customer: | | |
| Three-Phase: W22 IE2 IEC Tru-Metric - TEFC (IP55) Cast Iron Frame | | |
| Three-phase induction motor Frame 355M/L - IP55 | 28-SEP-2016 | |