



Dealers Industrial Equipment

No.:

Date: 28-SEP-2016

Customer :

TECHNICAL PROPOSAL

Three-phase induction motor - Squirrel cage rotor

Product line : ODP – Open Induction Motors – High Efficiency

Catalog Number : 25036OP3G445TS

List Price : \$15,654

Notes:

Downloaded from <http://dealerselectric.com>

Generated for Model #25036OP3G445TS

Performed by:

Checked:



Dealers Industrial Equipment

No.:

Date: 28-SEP-2016

DATA SHEET Three-phase induction motor - Squirrel cage rotor

Customer :
 Product line : ODP – Open Induction Motors – High Efficiency

Frame : 445TS
 Output : 250 HP
 Frequency : 60 Hz
 Poles : 2
 Full load speed : 3570 rpm
 Slip : 0.83 %
 Voltage : 460 V
 Rated current : 272 A
 Locked rotor current : 1740 A
 Locked rotor current (I_L/I_n) : 6.4
 No-load current : 68.0 A
 Full load torque : 363 lb.ft
 Locked rotor torque : 200 %
 Breakdown torque : 250 %
 Design : B
 Insulation class : F
 Temperature rise : 80 K
 Locked rotor time : 15 s (hot)
 Service factor : 1.15
 Duty cycle : S1
 Ambient temperature : -20°C - +40°C
 Altitude : 1000 m
 Degree of Protection : IP23
 Approximate weight : 1634 lb
 Moment of inertia : 30.157 sq.ft.lb
 Noise level : 85 dB(A)

	D.E.	N.D.E.	Load	Power factor	Efficiency (%)
Bearings	6314 C3	6314 C3	100%	0.90	95.0
Regreasing interval	14418 h	14418 h	75%	0.89	94.5
Grease amount	27 g	27 g	50%	0.84	94.1

Notes:
 Downloaded from <http://dealerselectric.com>
 Generated for Model #25036OP3G445TS

Performed by

Checked



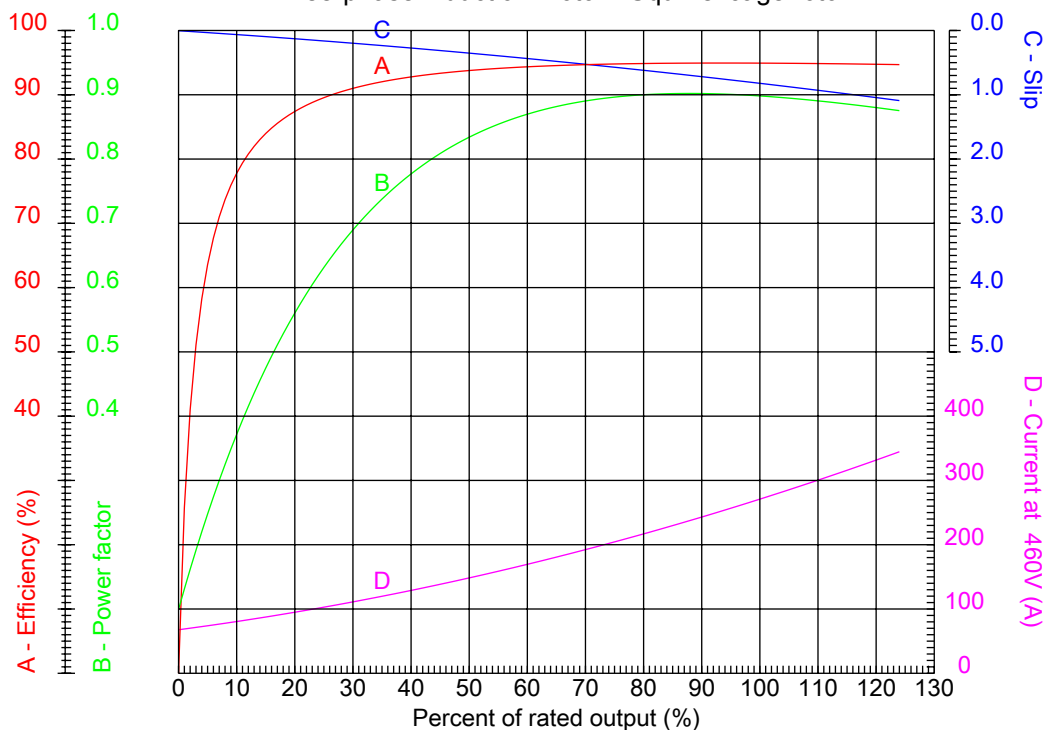
Dealers Industrial Equipment

No.:

Date: 28-SEP-2016

PERFORMANCE CURVES RELATED TO RATED OUTPUT

Three-phase induction motor - Squirrel cage rotor



Customer :
Product line : ODP – Open Induction Motors – High Efficiency

Frame	: 445TS	Locked rotor current (I _l /I _n)	: 6.4
Output	: 250 HP	Duty cycle	: S1
Frequency	: 60 Hz	Service factor	: 1.15
Full load speed	: 3570 rpm	Design	: B
Voltage	: 460 V	Locked rotor torque	: 200 %
Rated current	: 272 A	Breakdown torque	: 250 %
Insulation class	: F		

Notes:
Downloaded from <http://dealerselectric.com>
Generated for Model #25036OP3G445TS

Performed by

Checked



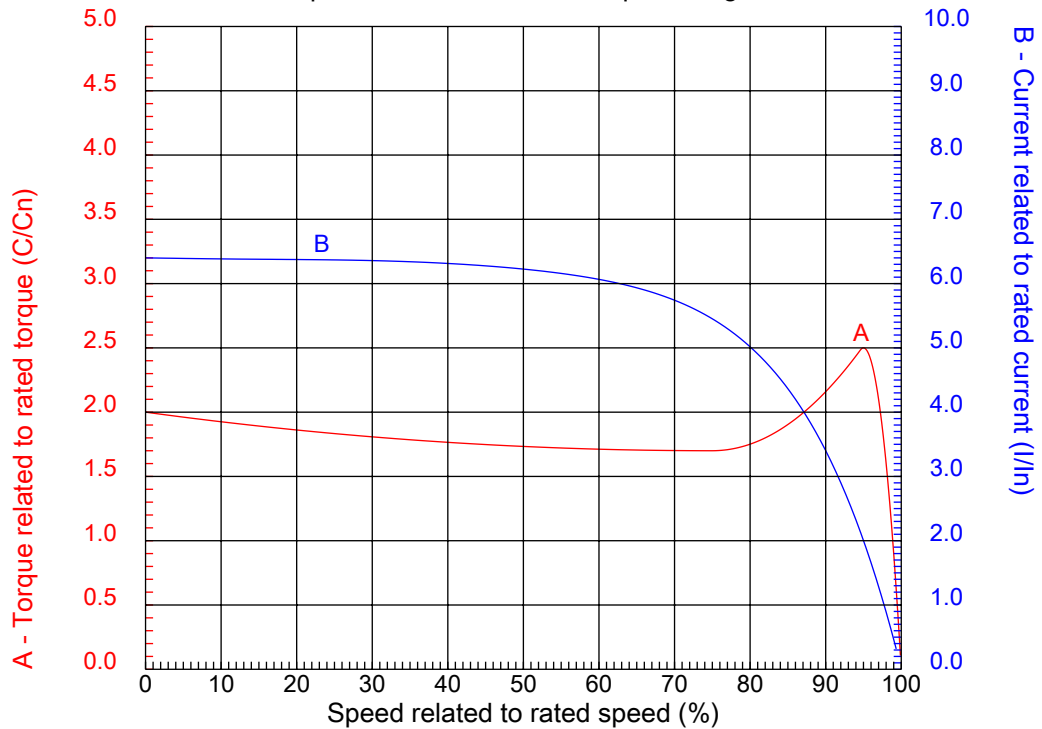
Dealers Industrial Equipment

No.:

Date: 28-SEP-2016

CHARACTERISTIC CURVES RELATED TO SPEED

Three-phase induction motor - Squirrel cage rotor



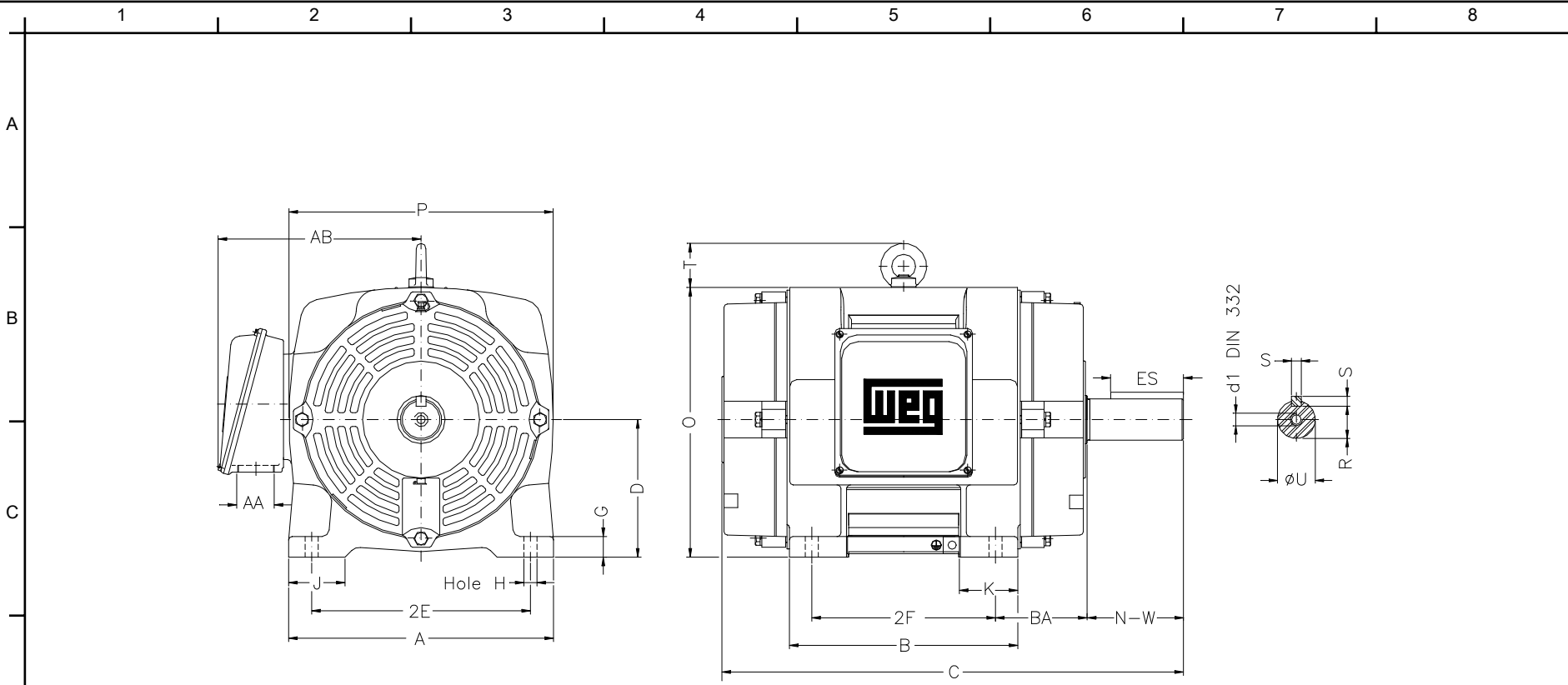
Customer :
Product line : ODP – Open Induction Motors – High Efficiency

Frame	: 445TS	Locked rotor current (I _l /I _n)	: 6.4
Output	: 250 HP	Duty cycle	: S1
Frequency	: 60 Hz	Service factor	: 1.15
Full load speed	: 3570 rpm	Design	: B
Voltage	: 460 V	Locked rotor torque	: 200 %
Rated current	: 272 A	Breakdown torque	: 250 %
Insulation class	: F		

Notes:
Downloaded from <http://dealerselectric.com>
Generated for Model #25036OP3G445TS

Performed by

Checked



Notes: Downloaded from <http://dealerselectric.com>
 Generated for Model #25036OP3G445TS

Performed by:

Checked:

Customer:

ODP – Open Induction Motors – High Efficiency

Three-phase induction motor
 Frame 445TS - IP23

28-SEP-2016



2E 18.000	A 21.929	2F 14.500/16.500	B 20.078	BA 7.500
J 3.937	K 5.590	P 22.125	ES 3.000	depth 0.625
S 0.625	D 11.000	N-W 4.750	G 1.811	U 2.375
O 22.440	T 3.544	R 2.021	H 0.807	AB 20.236
C 36.062	AA 2xNPT 3"	d1 DUNC 3/4"-10		

F

1 2 3 4 5 6 7 8

A

PART-WINDING

WYE-DELTA

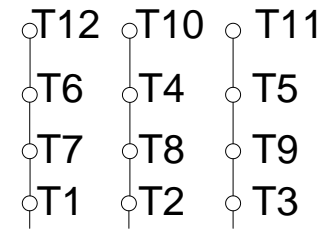
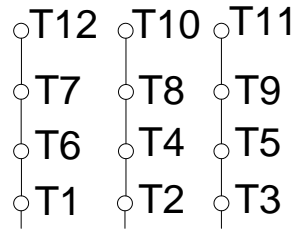
START

RUN

START

RUN

B



C

L1 L2 L3

L1 L2 L3

L1 L2 L3

L1 L2 L3

D

E

F

Notes: Downloaded from <http://dealerselectric.com>
 Generated for Model #25036OP3G445TS

Performed by:

Checked:

Customer:

ODP – Open Induction Motors – High Efficiency

Three-phase induction motor
Frame 445TS - IP23

28-SEP-2016

