



# Dealers Industrial Equipment

No.:

Date: 28-SEP-2016

Customer :

## TECHNICAL PROPOSAL

### Three-phase induction motor - Squirrel cage rotor

Product line : ODP – Open Induction Motors – High Efficiency

Catalog Number : 25018OP3G445TS

List Price : \$13,358

#### Notes:

Downloaded from <http://dealerselectric.com>

Generated for Model #25018OP3G445TS

Performed by:

Checked:



# Dealers Industrial Equipment

No.:

Date: 28-SEP-2016

## DATA SHEET Three-phase induction motor - Squirrel cage rotor

Customer :  
 Product line : ODP – Open Induction Motors – High Efficiency

Frame : 445TS  
 Output : 250 HP  
 Frequency : 60 Hz  
 Poles : 4  
 Full load speed : 1780 rpm  
 Slip : 1.11 %  
 Voltage : 460 V  
 Rated current : 273 A  
 Locked rotor current : 1800 A  
 Locked rotor current (I<sub>L</sub>/I<sub>n</sub>) : 6.6  
 No-load current : 76.0 A  
 Full load torque : 728 lb.ft  
 Locked rotor torque : 200 %  
 Breakdown torque : 230 %  
 Design : B  
 Insulation class : F  
 Temperature rise : 80 K  
 Locked rotor time : 15 s (hot)  
 Service factor : 1.15  
 Duty cycle : S1  
 Ambient temperature : -20°C - +40°C  
 Altitude : 1000 m  
 Degree of Protection : IP23  
 Approximate weight : 1786 lb  
 Moment of inertia : 53.352 sq.ft.lb  
 Noise level : 79 dB(A)

	D.E.	N.D.E.
Bearings	6314 C3	6314 C3
Regreasing interval	20000 h	20000 h
Grease amount	27 g	27 g

Load	Power factor	Efficiency (%)
100%	0.88	95.4
75%	0.86	95.4
50%	0.80	95.0

Notes:  
 Downloaded from <http://dealerselectric.com>  
 Generated for Model #25018OP3G445TS

Performed by

Checked



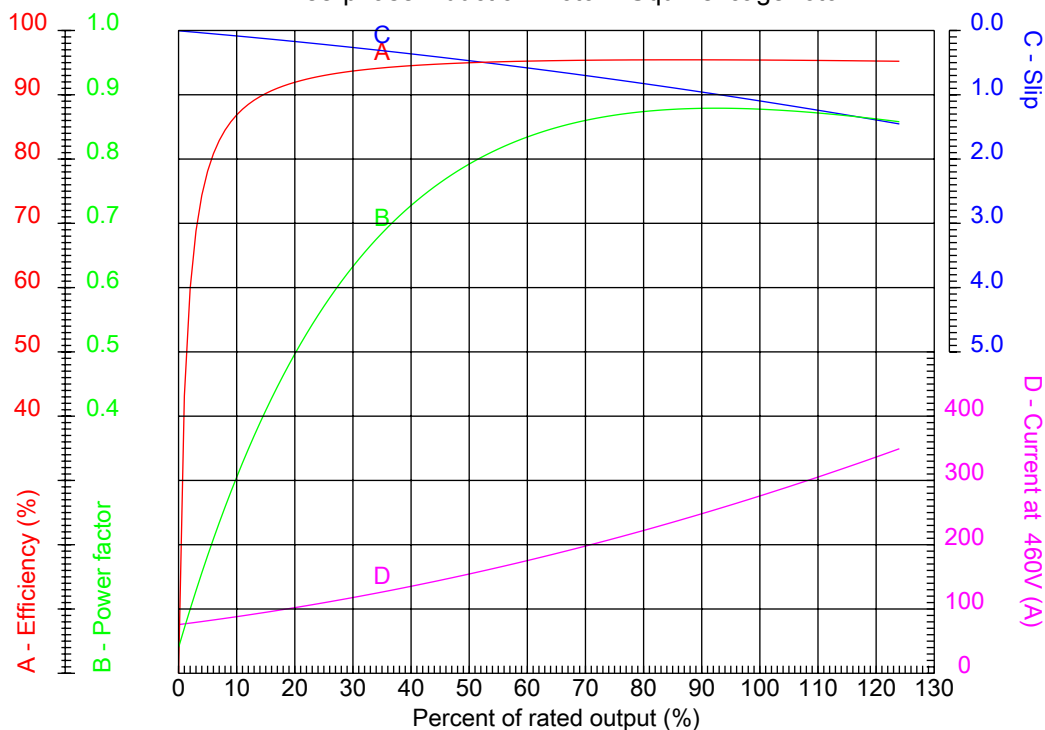
# Dealers Industrial Equipment

No.:

Date: 28-SEP-2016

## PERFORMANCE CURVES RELATED TO RATED OUTPUT

Three-phase induction motor - Squirrel cage rotor



Customer :  
Product line : ODP – Open Induction Motors – High Efficiency

Frame : 445TS	Locked rotor current (I <sub>l</sub> /I <sub>n</sub> ) : 6.6
Output : 250 HP	Duty cycle : S1
Frequency : 60 Hz	Service factor : 1.15
Full load speed : 1780 rpm	Design : B
Voltage : 460 V	Locked rotor torque : 200 %
Rated current : 273 A	Breakdown torque : 230 %
Insulation class : F	

Notes:  
Downloaded from <http://dealerselectric.com>  
Generated for Model #25018OP3G445TS

Performed by

Checked



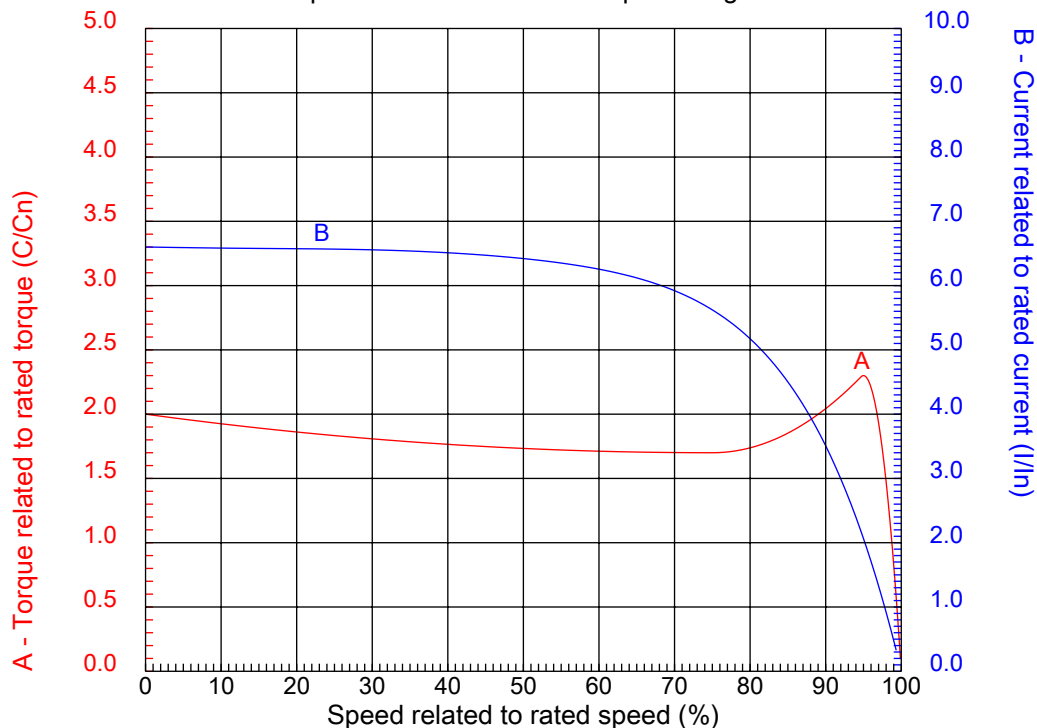
# Dealers Industrial Equipment

No.:

Date: 28-SEP-2016

## CHARACTERISTIC CURVES RELATED TO SPEED

Three-phase induction motor - Squirrel cage rotor



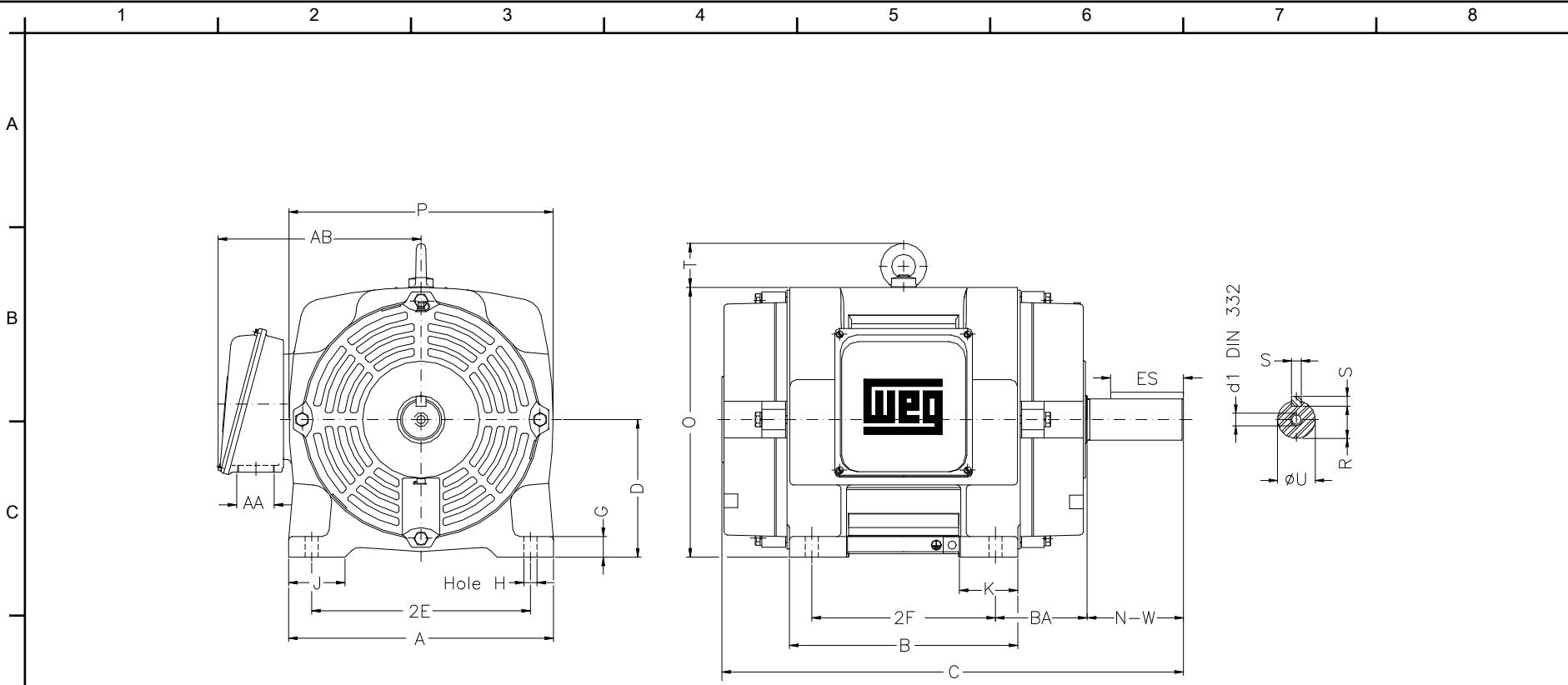
Customer :  
Product line : ODP – Open Induction Motors – High Efficiency

Frame	: 445TS	Locked rotor current (I <sub>l</sub> /I <sub>n</sub> )	: 6.6
Output	: 250 HP	Duty cycle	: S1
Frequency	: 60 Hz	Service factor	: 1.15
Full load speed	: 1780 rpm	Design	: B
Voltage	: 460 V	Locked rotor torque	: 200 %
Rated current	: 273 A	Breakdown torque	: 230 %
Insulation class	: F		

Notes:  
Downloaded from <http://dealerselectric.com>  
Generated for Model #25018OP3G445TS

Performed by

Checked



Notes: Downloaded from <http://dealerselectric.com>  
 Generated for Model #25018OP3G445TS

Performed by:

Checked:

Customer:

ODP – Open Induction Motors – High Efficiency

Three-phase induction motor  
 Frame 445TS - IP23

28-SEP-2016



2E 18.000	A 21.929	2F 14.500/16.500	B 20.078	BA 7.500
J 3.937	K 5.590	P 22.125	ES 3.000	depth 0.625
S 0.625	D 11.000	N-W 4.750	G 1.811	U 2.375
O 22.440	T 3.544	R 2.021	H 0.807	AB 20.236
C 36.062	AA 2xNPT 3"	d1 DUNC 3/4"-10		

A  
B  
C  
D  
E  
F

1 2 3 4 5 6 7 8

1 2 3 4 5 6 7 8

A

### PART-WINDING

### WYE-DELTA

#### START

#### RUN

#### START

#### RUN

B



C

L1 L2 L3

L1 L2 L3

L1 L2 L3

L1 L2 L3

D

E

F

Notes: Downloaded from <http://dealerselectric.com>  
Generated for Model #25018OP3G445TS

Performed by:

Checked:

Customer:

ODP – Open Induction Motors – High Efficiency

Three-phase induction motor  
Frame 445TS - IP23

28-SEP-2016

