



Dealers Industrial Equipment

No.:

Date: 28-SEP-2016

Customer :

TECHNICAL PROPOSAL

Three-phase induction motor - Squirrel cage rotor

Product line : Three-Phase: W22 Crusher Duty TEFC (IP55)

Catalog Number : 25018EP3GKD505Z-W22

List Price : \$22,190

Notes:

Downloaded from <http://dealerselectric.com>

Generated for Model #25018EP3GKD505Z-W22

Performed by:

Checked:



Dealers Industrial Equipment

No.:

Date: 28-SEP-2016

DATA SHEET Three-phase induction motor - Squirrel cage rotor

Customer :
 Product line : Three-Phase: W22 Crusher Duty TEFC (IP55)

Frame : 504/5Z
 Output : 250 HP
 Frequency : 60 Hz
 Poles : 4
 Full load speed : 1790 rpm
 Slip : 0.56 %
 Voltage : 460 V
 Rated current : 285 A
 Locked rotor current : 2190 A
 Locked rotor current (I_L/I_n) : 7.7
 No-load current : 106 A
 Full load torque : 724 lb.ft
 Locked rotor torque : 280 %
 Breakdown torque : 290 %
 Design : A
 Insulation class : F
 Temperature rise : 80 K
 Locked rotor time : 12 s (hot)
 Service factor : 1.15
 Duty cycle : S1
 Ambient temperature : -20°C - +40°C
 Altitude : 1000 m
 Degree of Protection : IP55
 Approximate weight : 2227 lb
 Moment of inertia : 89.555 sq.ft.lb
 Noise level : 75 dB(A)

	D.E.	N.D.E.
Bearings	NU-322 C3	6316 C3
Regreasing interval	4000 h	10000 h
Grease amount	60 g	34 g

Load	Power factor	Efficiency (%)
100%	0.85	95.8
75%	0.81	95.8
50%	0.72	95.0

Notes:
 Downloaded from <http://dealerselectric.com>
 Generated for Model #25018EP3GKD505Z-W22

Performed by

Checked



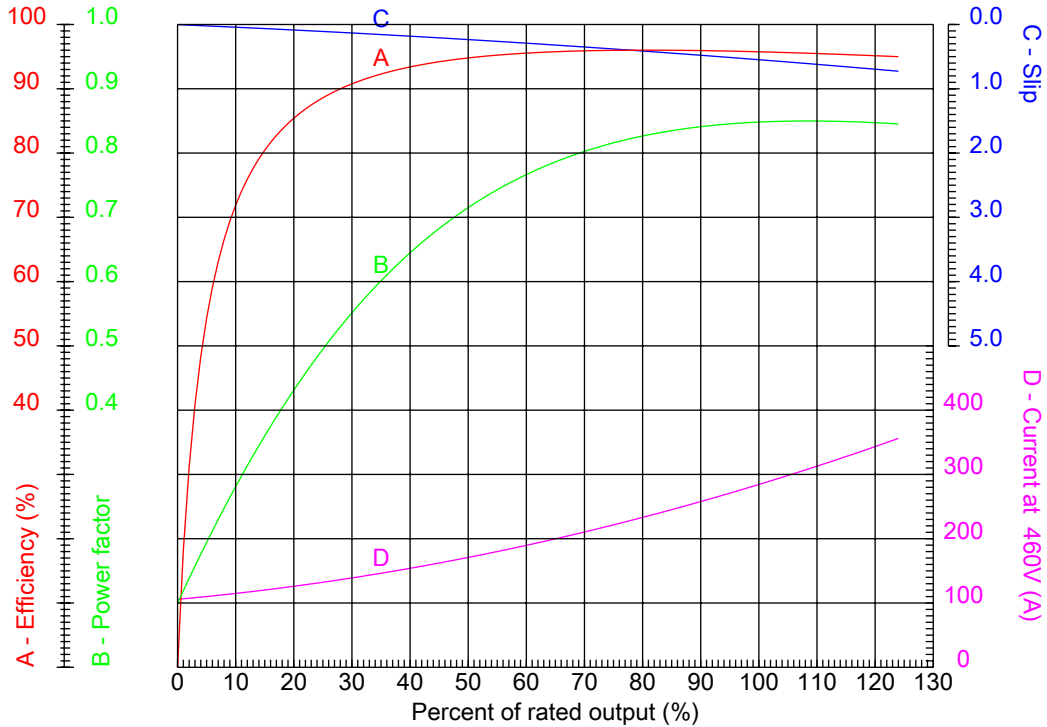
Dealers Industrial Equipment

No.:

Date: 28-SEP-2016

PERFORMANCE CURVES RELATED TO RATED OUTPUT

Three-phase induction motor - Squirrel cage rotor



Customer :
 Product line : Three-Phase: W22 Crusher Duty TEFC (IP55)

Frame	: 504/5Z	Locked rotor current (I _l /I _n)	: 7.7
Output	: 250 HP	Duty cycle	: S1
Frequency	: 60 Hz	Service factor	: 1.15
Full load speed	: 1790 rpm	Design	: A
Voltage	: 460 V	Locked rotor torque	: 280 %
Rated current	: 285 A	Breakdown torque	: 290 %
Insulation class	: F		

Notes:
 Downloaded from <http://dealerselectric.com>
 Generated for Model #25018EP3GKD505Z-W22

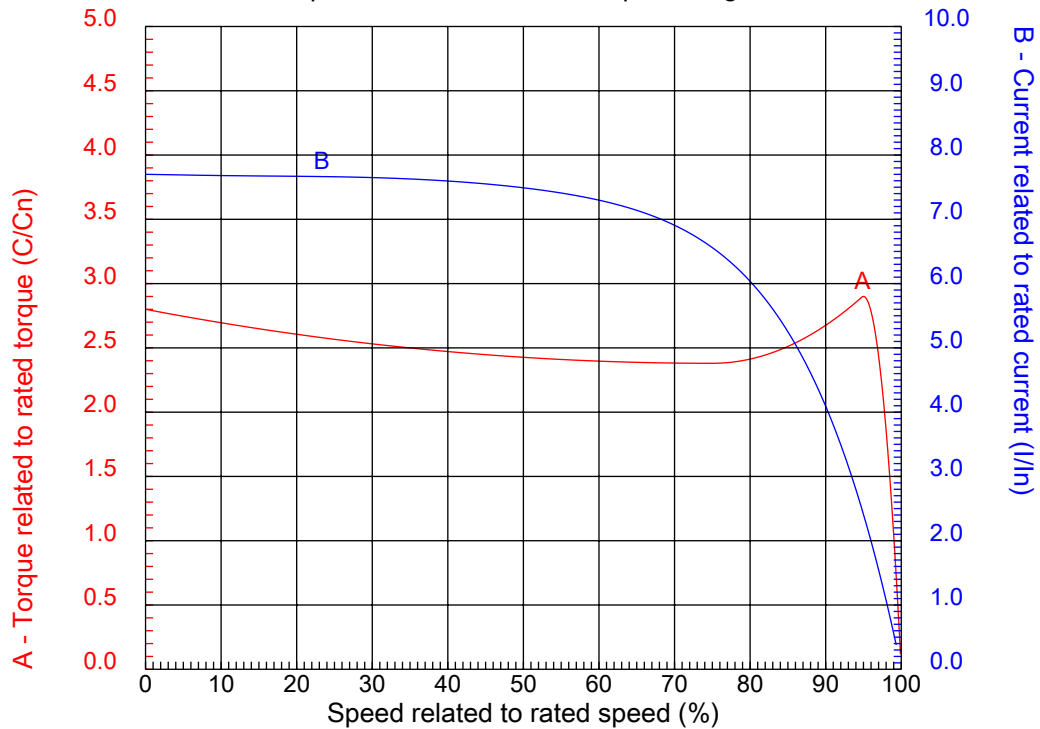
Performed by

Checked



CHARACTERISTIC CURVES RELATED TO SPEED

Three-phase induction motor - Squirrel cage rotor



Customer :
Product line : Three-Phase: W22 Crusher Duty TEFC (IP55)

Frame	: 504/5Z	Locked rotor current (I _l /I _n)	: 7.7
Output	: 250 HP	Duty cycle	: S1
Frequency	: 60 Hz	Service factor	: 1.15
Full load speed	: 1790 rpm	Design	: A
Voltage	: 460 V	Locked rotor torque	: 280 %
Rated current	: 285 A	Breakdown torque	: 290 %
Insulation class	: F		

Notes:
Downloaded from <http://dealerselectric.com>
Generated for Model #25018EP3GKD505Z-W22

Performed by

Checked

1 2 3 4 5 6 7 8

A

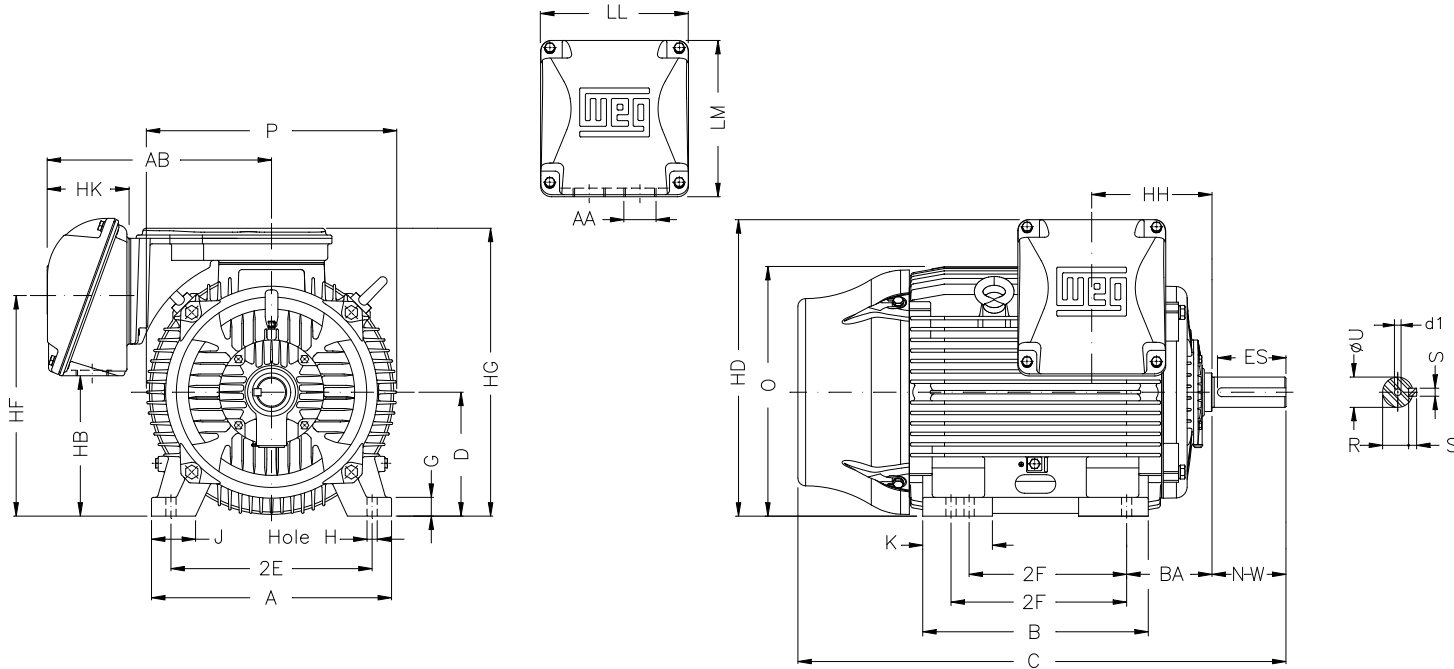
B

C

D

E

F



Notes: Downloaded from <http://dealerselectric.com>
Generated for Model #25018EP3GKD505Z-W22

2E 20.000	J 4.724	A 24.724	P 25.866	AB 20.599
2F 16.000/18.000	K 7.228	B 24.449	BA 8.500	U 3.875
N-W 11.625	ES 8.661	S 1.000	R 3.309	depth 1.000
D 12.500	G 1.870	HB 15.167	O 25.425	HD 30.206
HF 24.291	HG 29.502	HH 10.374	HK 6.929	H 1.250
C 55.090	LL 14.921	LM 15.039	AA 2xNPT 3"	d1 DUNC 3/4"-10
d2 DUNC 3/4"-10				

Performed by:

Checked:

Customer:

Three-Phase: W22 Crusher Duty TEFC (IP55)

Three-phase induction motor
Frame 504/5Z - IP55

28-SEP-2016



1 2 3 4 5 6 7 8

A

PART-WINDING

WYE-DELTA

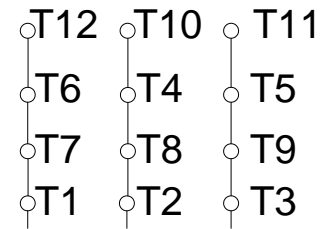
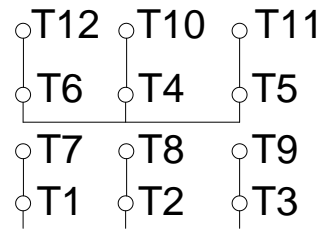
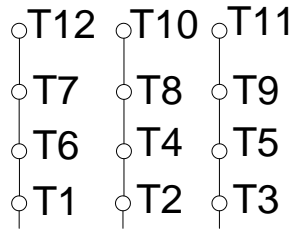
START

RUN

START

RUN

B



C

L1 L2 L3

L1 L2 L3

L1 L2 L3

L1 L2 L3

D

E

F

Notes: Downloaded from <http://dealerselectric.com>
Generated for Model #25018EP3GKD505Z-W22

Performed by:

Checked:

Customer:

Three-Phase: W22 Crusher Duty TEFC (IP55)

Three-phase induction motor
Frame 504/5Z - IP55

28-SEP-2016

