



# Dealers Industrial Equipment

No.:

Date: 28-SEP-2016

Customer :

## TECHNICAL PROPOSAL

### Three-phase induction motor - Squirrel cage rotor

Product line : ODP – Open Induction Motors – NEMA Premium Efficiency

Catalog Number : 20012OT3G447/9T

List Price : \$>(discontinued)</span>

#### Notes:

Downloaded from <http://dealerselectric.com>

Generated for Model #20012OT3G447/9T

Performed by:

Checked:



# Dealers Industrial Equipment

No.:

Date: 28-SEP-2016

## DATA SHEET Three-phase induction motor - Squirrel cage rotor

Customer :  
 Product line : ODP – Open Induction Motors – NEMA Premium Efficiency

Frame : 447/9T  
 Output : 200 HP  
 Frequency : 60 Hz  
 Poles : 6  
 Full load speed : 1185 rpm  
 Slip : 1.25 %  
 Voltage : 460 V  
 Rated current : 241 A  
 Locked rotor current : 1400 A  
 Locked rotor current (I<sub>L</sub>/I<sub>n</sub>) : 5.8  
 No-load current : 95.0 A  
 Full load torque : 874 lb.ft  
 Locked rotor torque : 200 %  
 Breakdown torque : 220 %  
 Design : A  
 Insulation class : F  
 Temperature rise : 80 K  
 Locked rotor time : 18 s (hot)  
 Service factor : 1.15  
 Duty cycle : S1  
 Ambient temperature : -20°C - +40°C  
 Altitude : 1000 m  
 Degree of Protection : IP23  
 Approximate weight : 2205 lb  
 Moment of inertia : 98.166 sq.ft.lb  
 Noise level : 79 dB(A)

	D.E.	N.D.E.
Bearings	6319 C3	6316 C3
Regreasing interval	20000 h	20000 h
Grease amount	45 g	34 g

Load	Power factor	Efficiency (%)
100%	0.82	95.4
75%	0.78	95.4
50%	0.69	95.0

Notes:  
 Downloaded from <http://dealerselectric.com>  
 Generated for Model #20012OT3G447/9T

Performed by

Checked



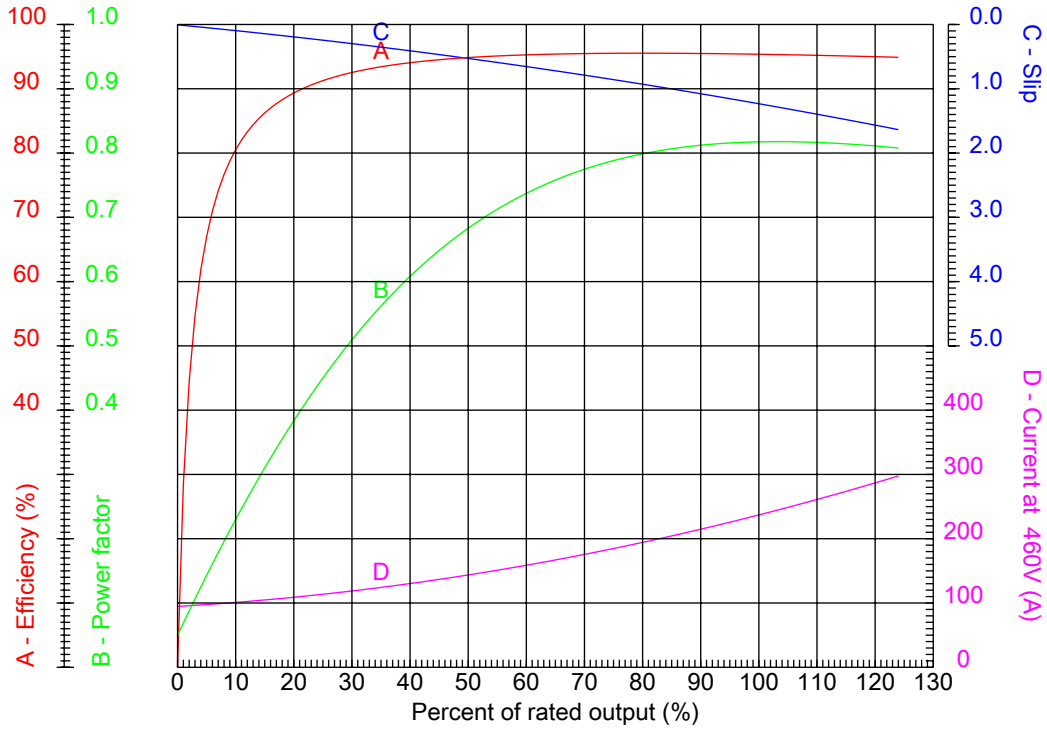
# Dealers Industrial Equipment

No.:

Date: 28-SEP-2016

## PERFORMANCE CURVES RELATED TO RATED OUTPUT

Three-phase induction motor - Squirrel cage rotor



Customer :  
Product line : ODP – Open Induction Motors – NEMA Premium Efficiency

Frame	: 447/9T	Locked rotor current (I <sub>L</sub> /I <sub>n</sub> )	: 5.8
Output	: 200 HP	Duty cycle	: S1
Frequency	: 60 Hz	Service factor	: 1.15
Full load speed	: 1185 rpm	Design	: A
Voltage	: 460 V	Locked rotor torque	: 200 %
Rated current	: 241 A	Breakdown torque	: 220 %
Insulation class	: F		

Notes:  
Downloaded from <http://dealerselectric.com>  
Generated for Model #20012OT3G447/9T

Performed by

Checked



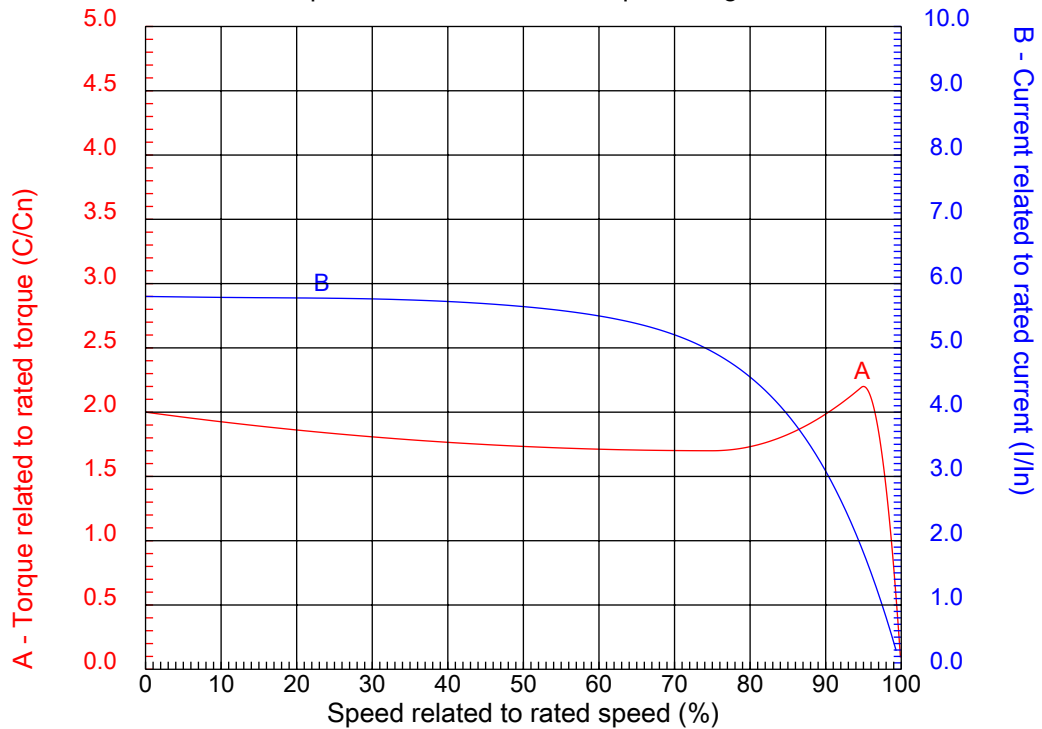
# Dealers Industrial Equipment

No.:

Date: 28-SEP-2016

## CHARACTERISTIC CURVES RELATED TO SPEED

Three-phase induction motor - Squirrel cage rotor



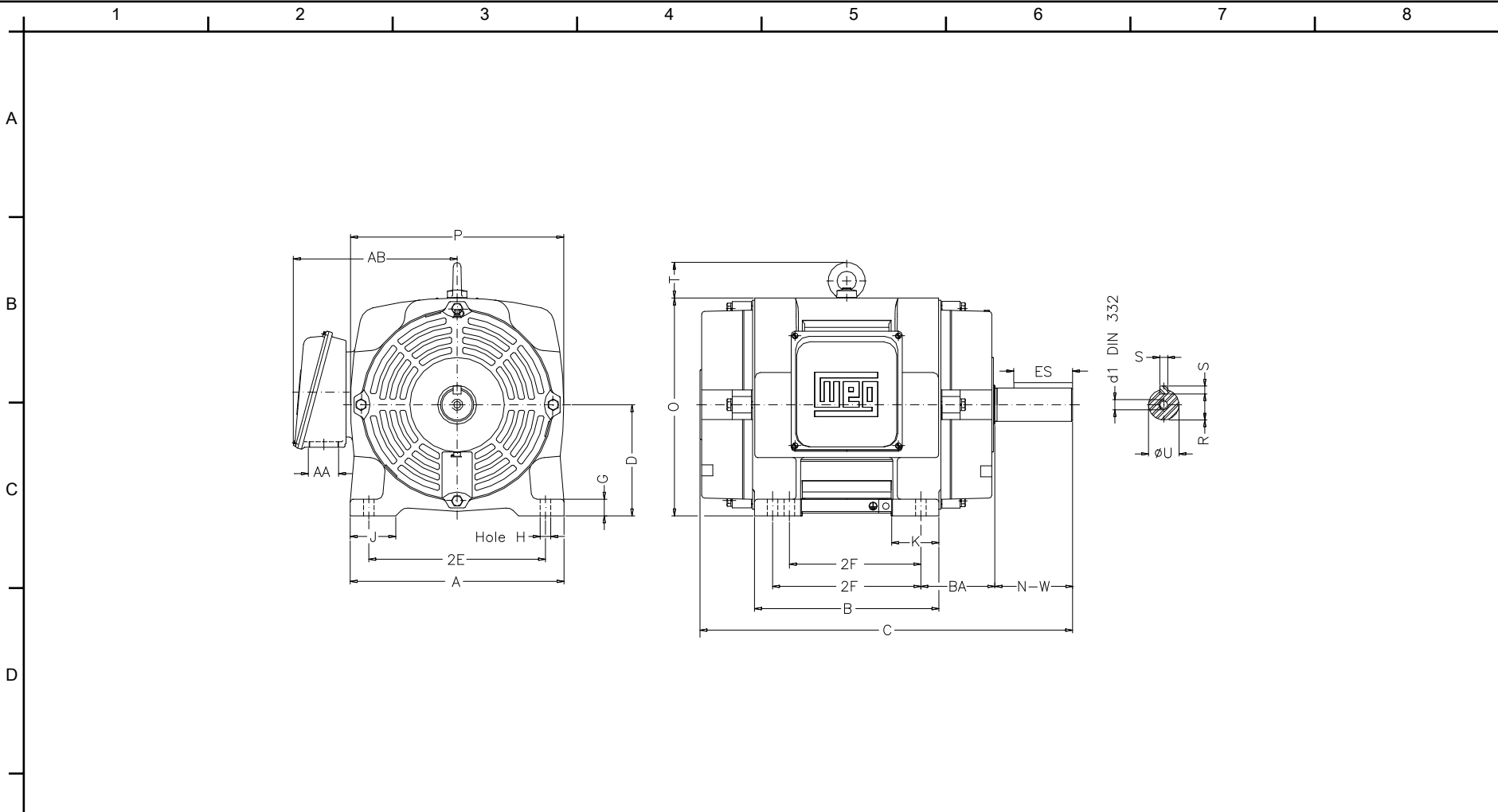
Customer :  
Product line : ODP – Open Induction Motors – NEMA Premium Efficiency

Frame	: 447/9T	Locked rotor current (I <sub>l</sub> /I <sub>n</sub> )	: 5.8
Output	: 200 HP	Duty cycle	: S1
Frequency	: 60 Hz	Service factor	: 1.15
Full load speed	: 1185 rpm	Design	: A
Voltage	: 460 V	Locked rotor torque	: 200 %
Rated current	: 241 A	Breakdown torque	: 220 %
Insulation class	: F		

Notes:  
Downloaded from <http://dealerselectric.com>  
Generated for Model #20012OT3G447/9T

Performed by

Checked



Notes: Downloaded from <http://dealerselectric.com>  
 Generated for Model #200120T3G447/9T

Performed by:

Checked:

Customer:

ODP – Open Induction Motors – NEMA Premium Efficiency

2E 18.000	J 3.937	A 21.929	P 22.126	AB 23.464
2F 20.000/25.000	K 10.47	B 28.898	BA 7.500	U 3.375
d1 DUNC 3/4"-10	N-W 8.500	ES 7.087	S 0.875	R 2.880
depth 0.875	D 11.000	G 1.811	O 22.441	T 3.543
H 0.807	C 48.317	AA 2xNPT 3"	DM NPT 3/4"	

Three-phase induction motor  
 Frame 447/9T - IP23

28-SEP-2016



1 2 3 4 5 6 7 8

A

### PART-WINDING

### WYE-DELTA

#### START

#### RUN

#### START

#### RUN

B



C

L1 L2 L3

L1 L2 L3

L1 L2 L3

L1 L2 L3

D

E

F

Notes: Downloaded from <http://dealerselectric.com>  
 Generated for Model #20012OT3G447/9T

Performed by:

Checked:

Customer:

ODP – Open Induction Motors – NEMA Premium Efficiency

Three-phase induction motor  
 Frame 447/9T - IP23

28-SEP-2016

