



Dealers Industrial Equipment

No.:

Date: 28-SEP-2016

Customer :

TECHNICAL PROPOSAL

Three-phase induction motor - Squirrel cage rotor

Product line : W22 NEMA Premium - Ball Bearings

Catalog Number : 20012ET3E449T-W22

List Price : \$25,255

Notes:

Downloaded from <http://dealerselectric.com>

Generated for Model #20012ET3E449T-W22

Performed by:

Checked:



Dealers Industrial Equipment

No.:

Date: 28-SEP-2016

DATA SHEET Three-phase induction motor - Squirrel cage rotor

Customer :
 Product line : W22 NEMA Premium - Ball Bearings

Frame : 447/9T
 Output : 200 HP
 Frequency : 60 Hz
 Poles : 6
 Full load speed : 1190 rpm
 Slip : 0.83 %
 Voltage : 208-230/460 V
 Rated current : 524-474/237 A
 Locked rotor current : 3130/1560 A
 Locked rotor current (I_L/I_n) : 6.6
 No-load current : 200/100 A
 Full load torque : 871 lb.ft
 Locked rotor torque : 230 %
 Breakdown torque : 240 %
 Design : B
 Insulation class : F
 Temperature rise : 80 K
 Locked rotor time : 15 s (hot)
 Service factor : 1.15
 Duty cycle : S1
 Ambient temperature : -20°C - +40°C
 Altitude : 1000 m
 Degree of Protection : IP55
 Approximate weight : 2247 lb
 Moment of inertia : 144.52 sq.ft.lb
 Noise level : 70 dB(A)

| | D.E. | N.D.E. |
|---------------------|---------|---------|
| Bearings | 6322 C3 | 6319 C3 |
| Regreasing interval | 11000 h | 13000 h |
| Grease amount | 60 g | 45 g |

| Load | Power factor | Efficiency (%) |
|------|--------------|----------------|
| 100% | 0.83 | 95.8 |
| 75% | 0.79 | 95.4 |
| 50% | 0.68 | 95.0 |

Notes:
 Downloaded from <http://dealerselectric.com>
 Generated for Model #20012ET3E449T-W22

Performed by

Checked



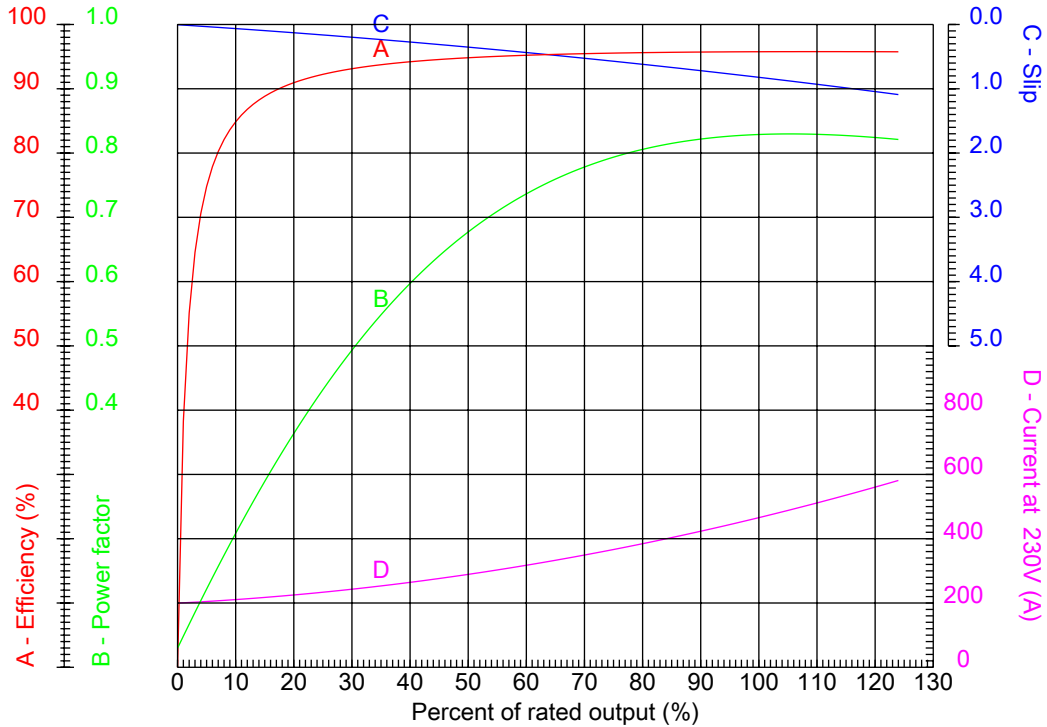
Dealers Industrial Equipment

No.:

Date: 28-SEP-2016

PERFORMANCE CURVES RELATED TO RATED OUTPUT

Three-phase induction motor - Squirrel cage rotor



Customer :
 Product line : W22 NEMA Premium - Ball Bearings

| | |
|-------------------------------|--|
| Frame : 447/9T | Locked rotor current (I _l /I _n) : 6.6 |
| Output : 200 HP | Duty cycle : S1 |
| Frequency : 60 Hz | Service factor : 1.15 |
| Full load speed : 1190 rpm | Design : B |
| Voltage : 208-230/460 V | Locked rotor torque : 230 % |
| Rated current : 524-474/237 A | Breakdown torque : 240 % |
| Insulation class : F | |

Notes:
 Downloaded from <http://dealerselectric.com>
 Generated for Model #20012ET3E449T-W22

Performed by

Checked



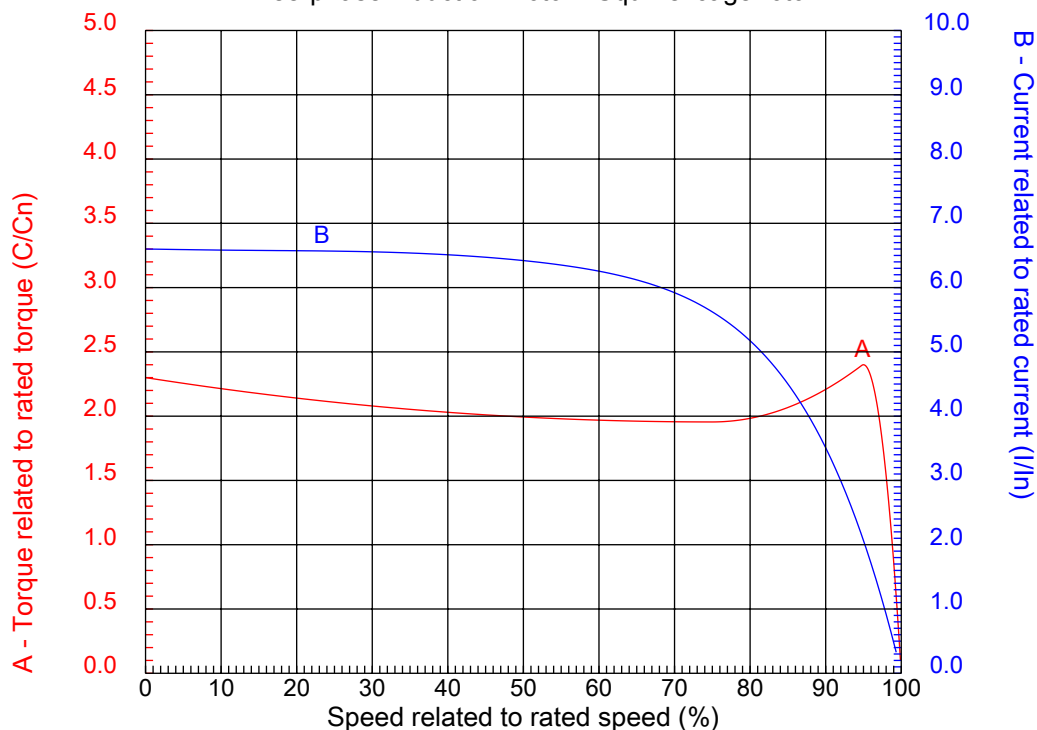
Dealers Industrial Equipment

No.:

Date: 28-SEP-2016

CHARACTERISTIC CURVES RELATED TO SPEED

Three-phase induction motor - Squirrel cage rotor



Customer :
Product line : W22 NEMA Premium - Ball Bearings

| | | | |
|------------------|-----------------|--|---------|
| Frame | : 447/9T | Locked rotor current (I _l /I _n) | : 6.6 |
| Output | : 200 HP | Duty cycle | : S1 |
| Frequency | : 60 Hz | Service factor | : 1.15 |
| Full load speed | : 1190 rpm | Design | : B |
| Voltage | : 208-230/460 V | Locked rotor torque | : 230 % |
| Rated current | : 524-474/237 A | Breakdown torque | : 240 % |
| Insulation class | : F | | |

Notes:
Downloaded from <http://dealerselectric.com>
Generated for Model #20012ET3E449T-W22

Performed by

Checked

1 2 3 4 5 6 7 8

A

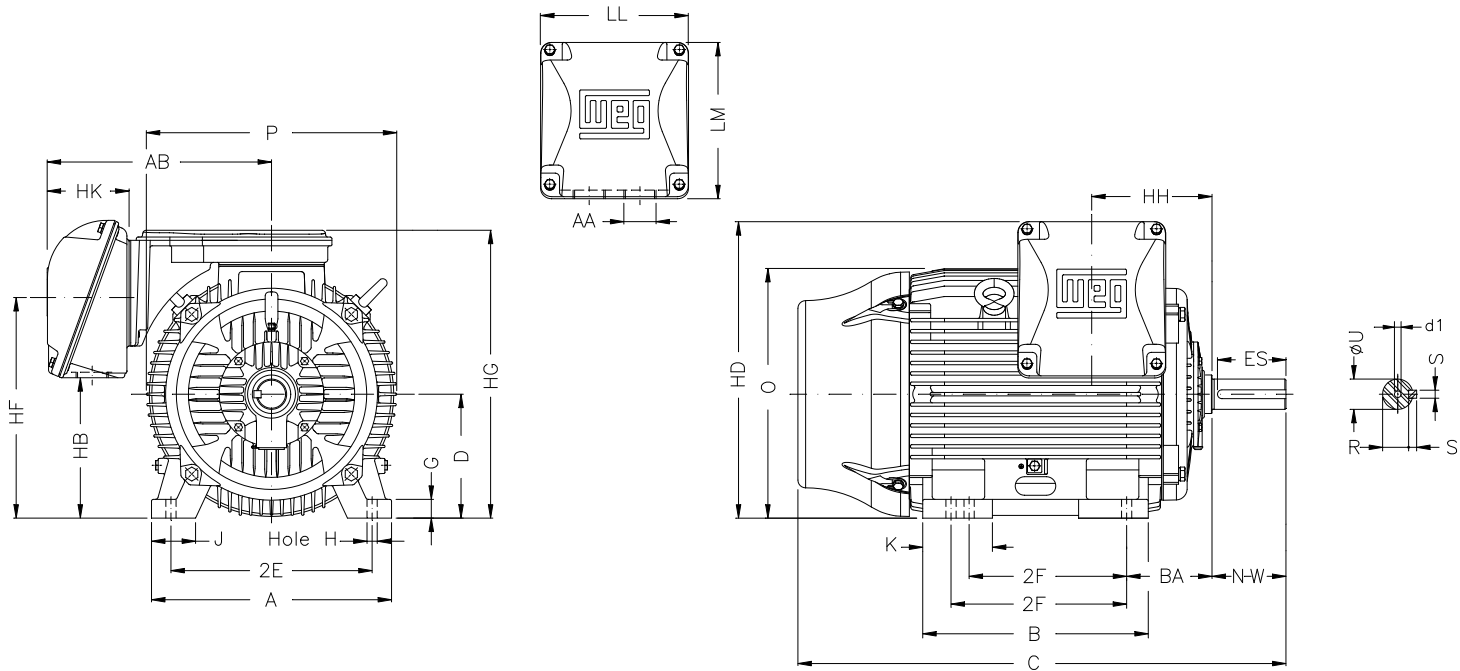
B

C

D

E

F



Notes: Downloaded from <http://dealerselectric.com>
Generated for Model #20012ET3E449T-W22

| | | | | |
|---------------------|--------------|--------------|--------------|----------------|
| 2E 18.000 | J 3.937 | A 21.929 | P 23.583 | AB 20.559 |
| 2F 20.000/25.000 | K 11.772 | B 31.535 | BA 7.500 | U 3.375 |
| N-W 8.500 | ES 7.087 | S 0.875 | R 2.880 | depth 0.875 |
| D 11.000 | G 1.630 | HB 12.488 | O 22.795 | HD 27.527 |
| HF 20.724 | HG 26.830 | HH 11.811 | HK 6.929 | EV 1.929 |
| H 0.810 | C 56.338 | LL 14.921 | LM 15.039 | AA 2xNPT 3" |
| d1 DUNC 3/4"-10 | | | | |

Performed by:

Checked:

Customer:

W22 NEMA Premium - Ball Bearings

Three-phase induction motor
Frame 447/9T - IP55

28-SEP-2016



1 2 3 4 5 6 7 8

A
B
C
D
E
F

LOW VOLTAGE

HIGH VOLTAGE



CONNECTIONS FOR STARTING ONLY:

LOW VOLTAGE

HIGH VOLTAGE



Notes: Downloaded from <http://dealerselectric.com>
Generated for Model #20012ET3E449T-W22

Performed by:

Checked:

Customer:

W22 NEMA Premium - Ball Bearings

Three-phase induction motor
Frame 447/9T - IP55

28-SEP-2016

