



Dealers Industrial Equipment

No.:

Date: 28-SEP-2016

Customer :

TECHNICAL PROPOSAL

Three-phase induction motor - Squirrel cage rotor

Product line : Three-Phase: W22 IEEE-841™ Petrochem Motors - NEMA Premium® Efficiency

Catalog Number : 20009ST3QIE449T-W22

List Price : \$57,394

Notes:

Downloaded from <http://dealerselectric.com>

Generated for Model #20009ST3QIE449T-W22

Performed by:

Checked:



Dealers Industrial Equipment

No.:

Date: 28-SEP-2016

DATA SHEET

Three-phase induction motor - Squirrel cage rotor

Customer :
 Product line : Three-Phase: W22 IEEE-841™ Petrochem Motors - NEMA Premium® Efficiency

Frame : L447/9T
 Output : 200 HP
 Frequency : 60 Hz
 Poles : 8
 Full load speed : 890 rpm
 Slip : 1.11 %
 Voltage : 460 V
 Rated current : 242 A
 Locked rotor current : 1480 A
 Locked rotor current (I_L/I_n) : 6.1
 No-load current : 90.0 A
 Full load torque : 1164 lb.ft
 Locked rotor torque : 200 %
 Breakdown torque : 220 %
 Design : B
 Insulation class : F
 Temperature rise : 80 K
 Locked rotor time : 25 s (hot)
 Service factor : 1.00
 Duty cycle : S1
 Ambient temperature : -20°C - +40°C
 Altitude : 1000 m
 Degree of Protection : IP55
 Approximate weight : 3550 lb
 Moment of inertia : 255.24 sq.ft.lb
 Noise level : 64 dB(A)

	D.E.	N.D.E.
Bearings	6322 C3	6319 C3
Regreasing interval	20000 h	20000 h
Grease amount	60 g	45 g

Load	Power factor	Efficiency (%)
100%	0.82	95.0
75%	0.79	95.0
50%	0.70	94.6

Notes:
 Downloaded from <http://dealerselectric.com>
 Generated for Model #20009ST3QIE449T-W22

Performed by

Checked



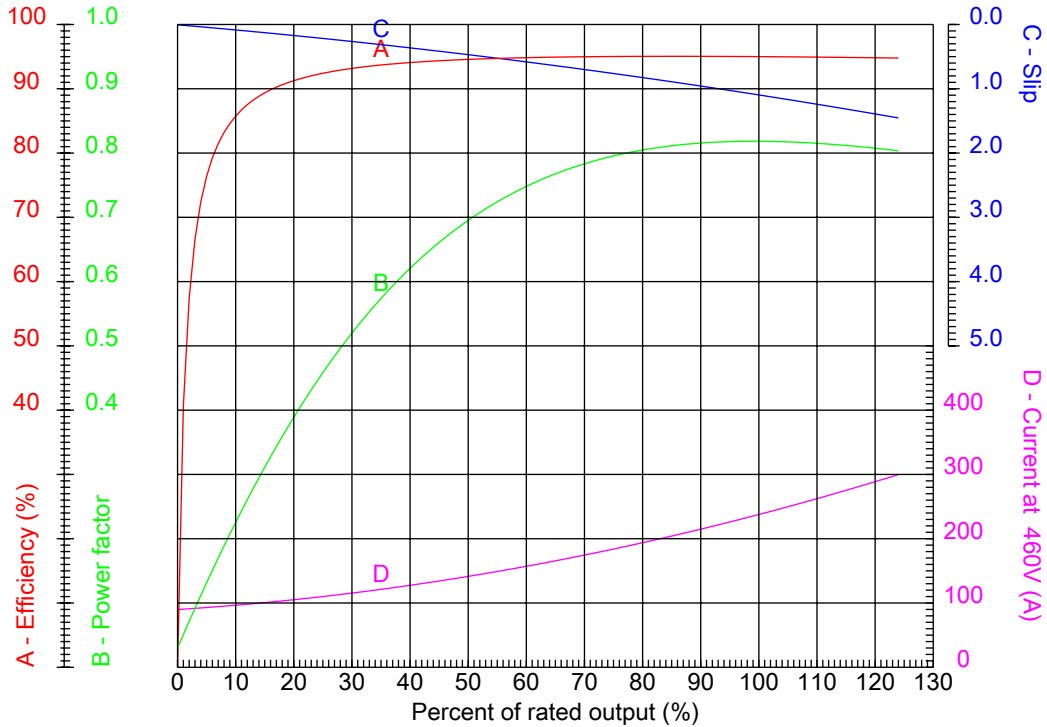
Dealers Industrial Equipment

No.:

Date: 28-SEP-2016

PERFORMANCE CURVES RELATED TO RATED OUTPUT

Three-phase induction motor - Squirrel cage rotor



Customer :
 Product line : Three-Phase: W22 IEEE-841™ Petrochem Motors - NEMA Premium® Efficiency

Frame : L447/9T	Locked rotor current (I _l /I _n) : 6.1
Output : 200 HP	Duty cycle : S1
Frequency : 60 Hz	Service factor : 1.00
Full load speed : 890 rpm	Design : B
Voltage : 460 V	Locked rotor torque : 200 %
Rated current : 242 A	Breakdown torque : 220 %
Insulation class : F	

Notes:
 Downloaded from <http://dealerselectric.com>
 Generated for Model #20009ST3QIE449T-W22

Performed by

Checked



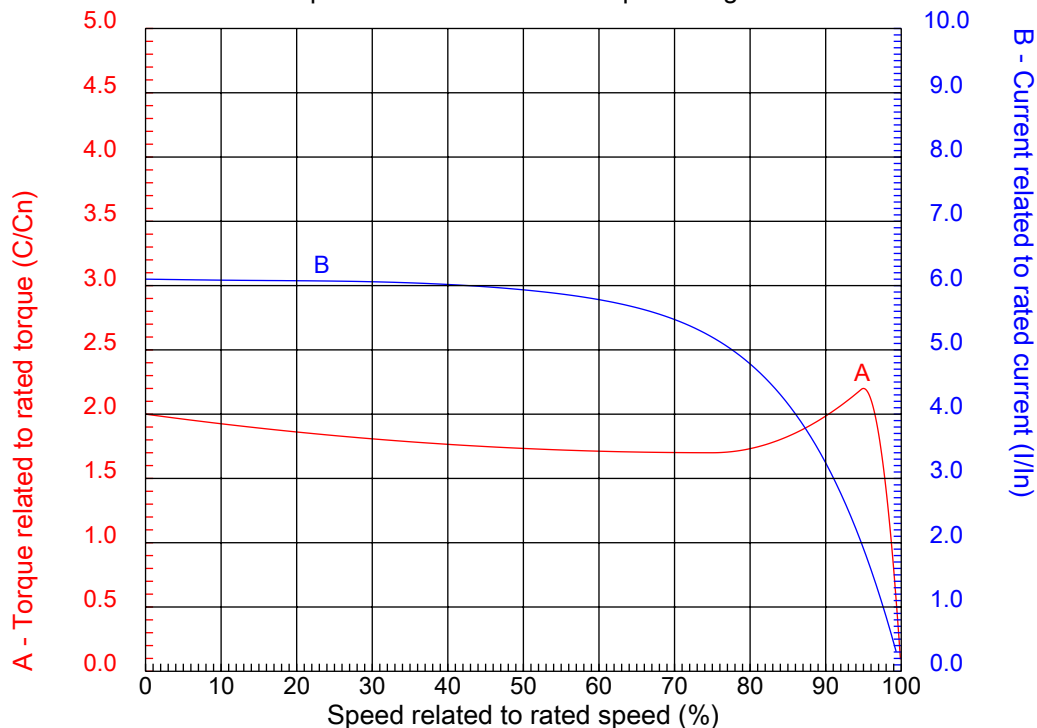
Dealers Industrial Equipment

No.:

Date: 28-SEP-2016

CHARACTERISTIC CURVES RELATED TO SPEED

Three-phase induction motor - Squirrel cage rotor



Customer :
Product line : Three-Phase: W22 IEEE-841™ Petrochem Motors - NEMA Premium® Efficiency

Frame	: L447/9T	Locked rotor current (I _l /I _n)	: 6.1
Output	: 200 HP	Duty cycle	: S1
Frequency	: 60 Hz	Service factor	: 1.00
Full load speed	: 890 rpm	Design	: B
Voltage	: 460 V	Locked rotor torque	: 200 %
Rated current	: 242 A	Breakdown torque	: 220 %
Insulation class	: F		

Notes:
Downloaded from <http://dealerselectric.com>
Generated for Model #20009ST3QIE449T-W22

Performed by

Checked

1 2 3 4 5 6 7 8

A

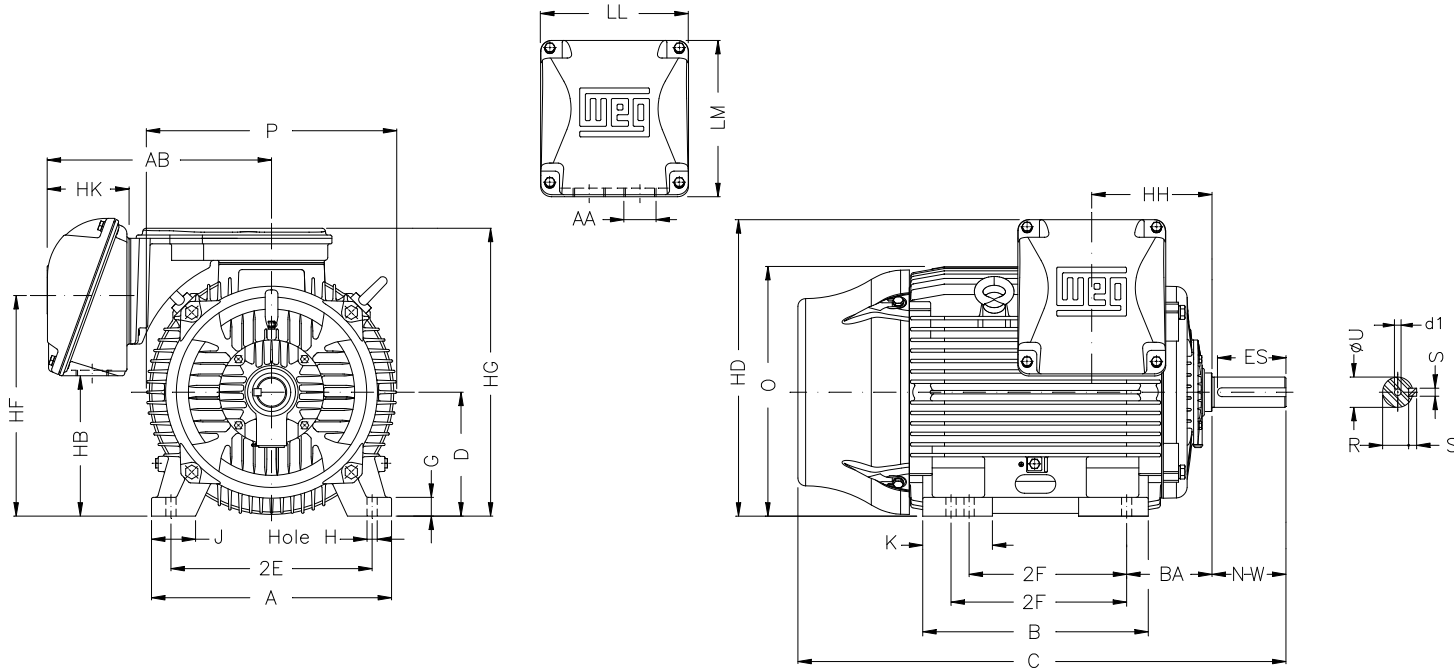
B

C

D

E

F



Notes: Downloaded from <http://dealerselectric.com>
Generated for Model #20009ST3QIE449T-W22

2E 18.000	J 3.937	A 21.929	P 25.866	AB 23.071
2F 20.000/25.000	K 8.780	B 31.535	BA 7.500	U 3.375
N-W 8.500	ES 7.087	S 0.875	R 2.880	depth 0.875
D 11.000	G 1.630	HB 11.417	O 23.874	HD 28.590
HF 20.551	HG 28.236	HH 11.500	HK 8.464	H 0.810
C 57.181	LL 15.906	LM 17.244	AA 2XNPT 3"	d1 DUNC 3/4"-10
d2 DUNC 3/4"-10				

Performed by:

Checked:

Customer:

Three-Phase: W22 IEEE-841™ Petrochem Motors - NEMA Premium® Efficiency

Three-phase induction motor
Frame L447/9T - IP55

28-SEP-2016



1 2 3 4 5 6 7 8

A

B

C

D

E

F



Notes: Downloaded from <http://dealerselectric.com>
Generated for Model #20009ST3QIE449T-W22

Performed by:

Checked:

Customer:

Three-Phase: W22 IEEE-841™ Petrochem Motors - NEMA Premium® Efficiency

Three-phase induction motor
Frame L447/9T - IP55

28-SEP-2016

