



Dealers Industrial Equipment

No.:

Date: 28-SEP-2016

Customer :

TECHNICAL PROPOSAL

Three-phase induction motor - Squirrel cage rotor

Product line : W22 High Efficiency
Catalog Number : 20009EP3G449T-W22
List Price : \$>(discontinued)

Notes:
Downloaded from <http://dealerselectric.com>
Generated for Model #20009EP3G449T-W22

Performed by:

Checked:



Dealers Industrial Equipment

No.:

Date: 28-SEP-2016

DATA SHEET Three-phase induction motor - Squirrel cage rotor

Customer :
Product line : W22 High Efficiency

Frame : 447/9T
Output : 200 HP
Frequency : 60 Hz
Poles : 8
Full load speed : 890 rpm
Slip : 1.11 %
Voltage : 460 V
Rated current : 252 A
Locked rotor current : 1490 A
Locked rotor current (I_L/I_n) : 5.9
No-load current : 110 A
Full load torque : 1164 lb.ft
Locked rotor torque : 190 %
Breakdown torque : 210 %
Design : B
Insulation class : F
Temperature rise : 80 K
Locked rotor time : 14 s (hot)
Service factor : 1.15
Duty cycle : S1
Ambient temperature : -20°C - +40°C
Altitude : 1000 m
Degree of Protection : IP55
Approximate weight : 2430 lb
Moment of inertia : 160.89 sq.ft.lb
Noise level : ---

	D.E.	N.D.E.
Bearings	6322 C3	6319 C3
Regreasing interval	14000 h	17000 h
Grease amount	60 g	45 g

Load	Power factor	Efficiency (%)
100%	0.79	94.5
75%	0.75	94.5
50%	0.65	94.1

Notes:
Downloaded from <http://dealerselectric.com>
Generated for Model #20009EP3G449T-W22

Performed by

Checked



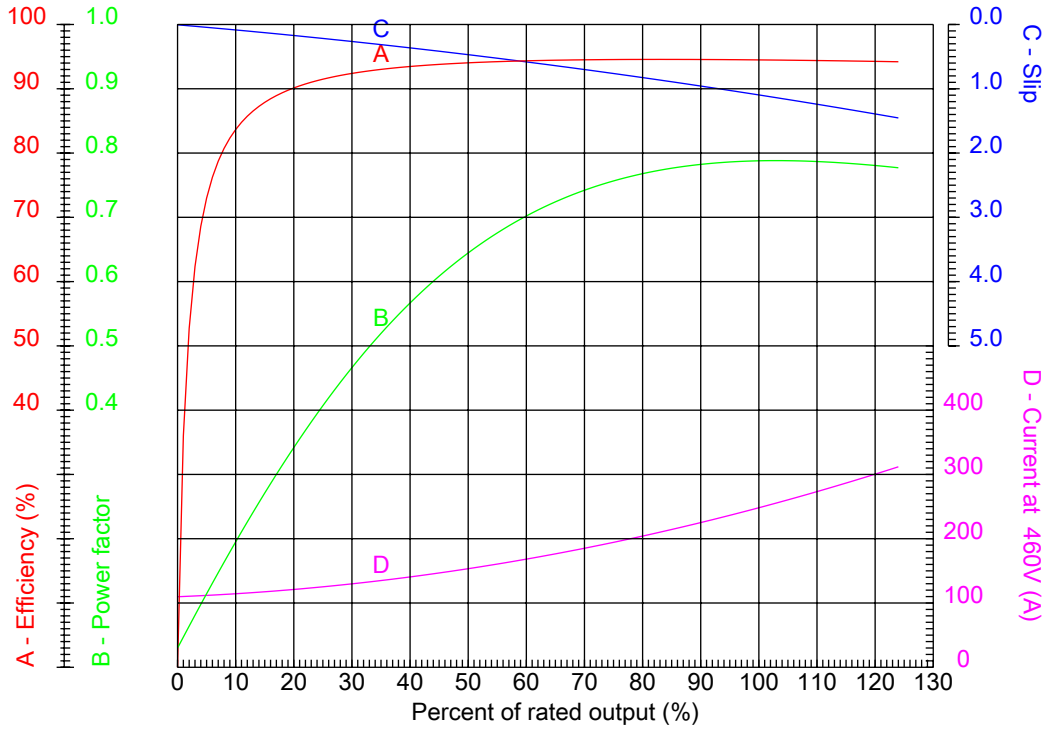
Dealers Industrial Equipment

No.:

Date: 28-SEP-2016

PERFORMANCE CURVES RELATED TO RATED OUTPUT

Three-phase induction motor - Squirrel cage rotor



Customer :
 Product line : W22 High Efficiency

Frame : 447/9T	Locked rotor current (I _l /I _n) : 5.9
Output : 200 HP	Duty cycle : S1
Frequency : 60 Hz	Service factor : 1.15
Full load speed : 890 rpm	Design : B
Voltage : 460 V	Locked rotor torque : 190 %
Rated current : 252 A	Breakdown torque : 210 %
Insulation class : F	

Notes:
 Downloaded from <http://dealerselectric.com>
 Generated for Model #20009EP3G449T-W22

Performed by

Checked



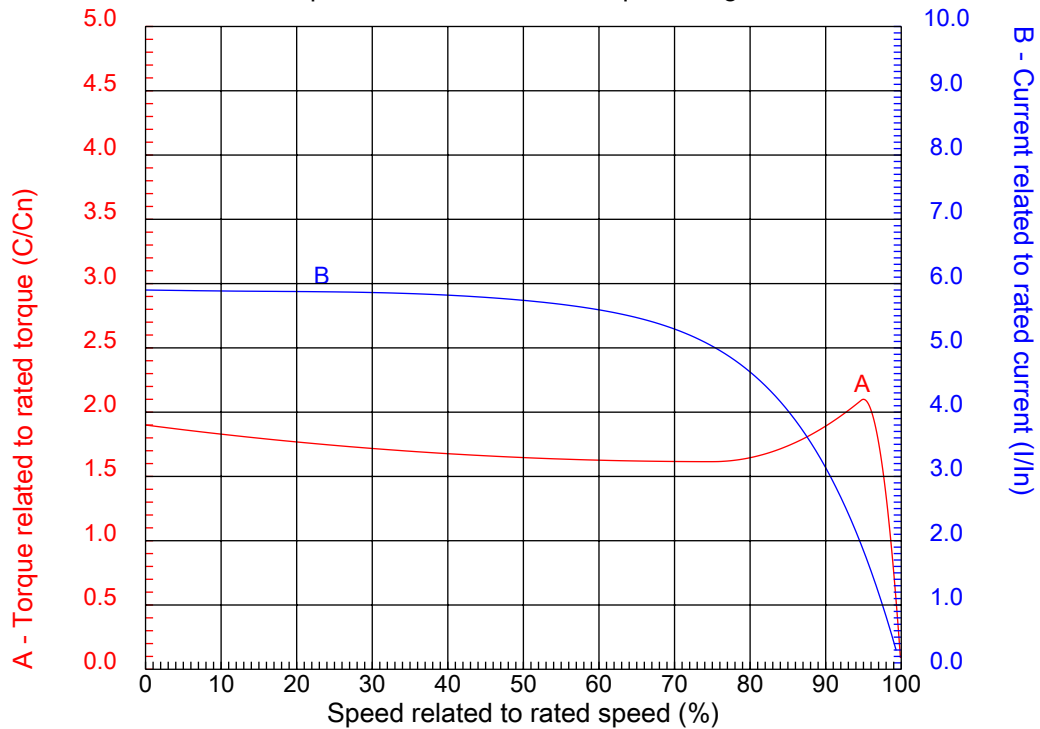
Dealers Industrial Equipment

No.:

Date: 28-SEP-2016

CHARACTERISTIC CURVES RELATED TO SPEED

Three-phase induction motor - Squirrel cage rotor



Customer :
Product line : W22 High Efficiency

Frame	: 447/9T	Locked rotor current (I _l /I _n)	: 5.9
Output	: 200 HP	Duty cycle	: S1
Frequency	: 60 Hz	Service factor	: 1.15
Full load speed	: 890 rpm	Design	: B
Voltage	: 460 V	Locked rotor torque	: 190 %
Rated current	: 252 A	Breakdown torque	: 210 %
Insulation class	: F		

Notes:
Downloaded from <http://dealerselectric.com>
Generated for Model #20009EP3G449T-W22

Performed by

Checked

1 2 3 4 5 6 7 8

A

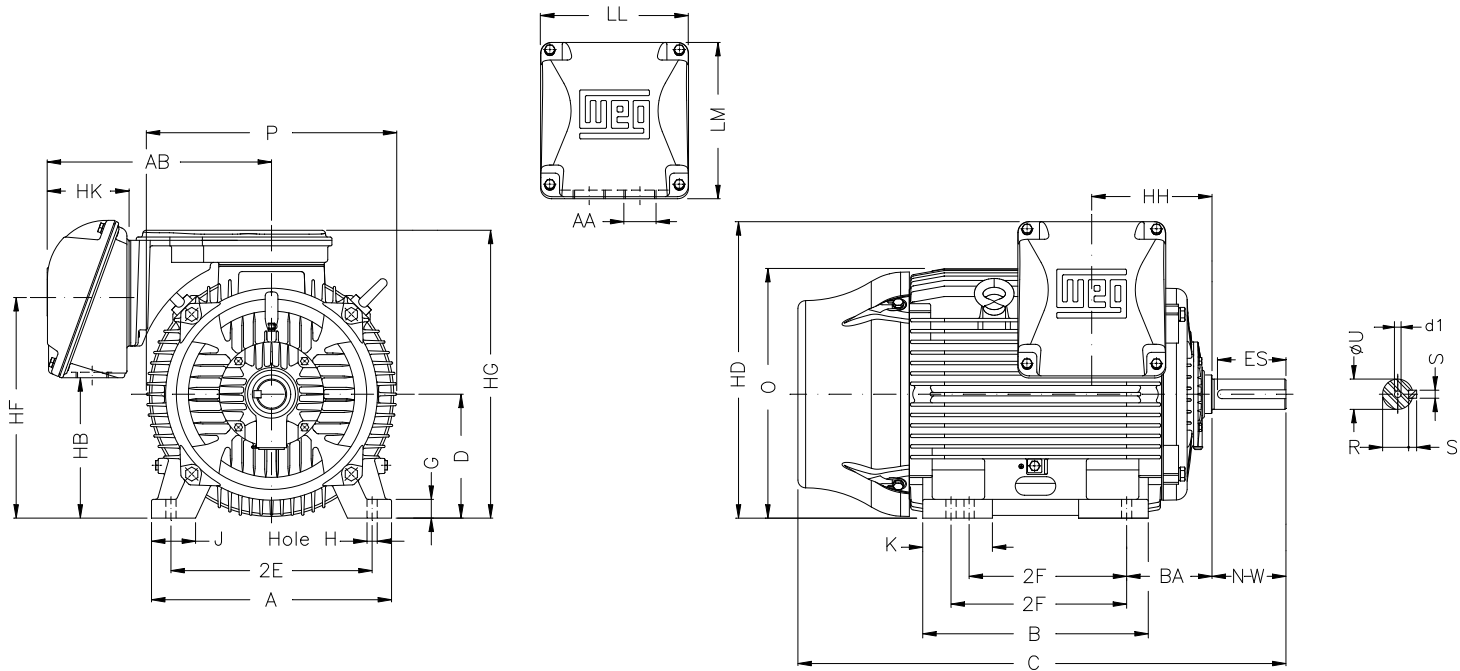
B

C

D

E

F



Notes: Downloaded from <http://dealerselectric.com>
Generated for Model #20009EP3G449T-W22

Performed by:

Checked:

Customer:

W22 High Efficiency

Three-phase induction motor
Frame 447/9T - IP55

28-SEP-2016



2E 18.000	J 3.937	A 21.929	P 23.583	AB 20.670
2F 20.000/25.000	K 11.77	B 31.535	BA 7.500	U 3.375
N-W 8.500	ES 7.087	S 0.875	R 2.880	depth 0.875
D 11.000	G 1.630	HB 12.598	O 22.795	HD 30.173
HF 20.724	HG 26.850	HH 11.803	HK 6.968	H 0.810
C 56.338	LL 14.646	LM 15.040	AA 2XNPT 3"	d1 DUNC 3/4"-10

1 2 3 4 5 6 7 8

A

PART-WINDING

WYE-DELTA

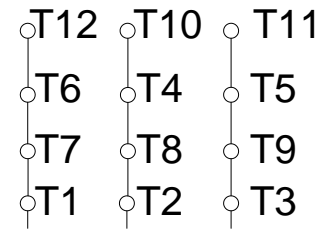
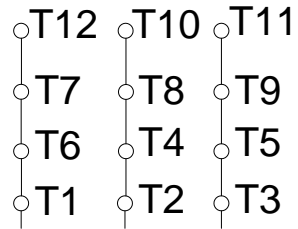
START

RUN

START

RUN

B



C

L1 L2 L3

L1 L2 L3

L1 L2 L3

L1 L2 L3

D

E

F

Notes: Downloaded from <http://dealerselectric.com>
 Generated for Model #20009EP3G449T-W22

Performed by:

Checked:

Customer:

W22 High Efficiency

Three-phase induction motor
Frame 447/9T - IP55

28-SEP-2016

