



# Dealers Industrial Equipment

No.:

Date: 28-SEP-2016

Customer :

## TECHNICAL PROPOSAL

### Three-phase induction motor - Squirrel cage rotor

Product line : Three-Phase: W22 IE2 IEC Tru-Metric - TEFC (IP55) Cast Iron Frame

Catalog Number : 18536EP3Y315S/M-W22

List Price : \$23,687

#### Notes:

Downloaded from <http://dealerselectric.com>

Generated for Model #18536EP3Y315S/M-W22

Performed by:

Checked:



# Dealers Industrial Equipment

No.:

Date: 28-SEP-2016

## DATA SHEET Three-phase induction motor - Squirrel cage rotor

Customer :  
 Product line : Three-Phase: W22 IE2 IEC Tru-Metric - TEFC (IP55) Cast Iron Frame

Frame : 315S/M  
 Output : 250 HP  
 Frequency : 60 Hz  
 Poles : 2  
 Full load speed : 3580 rpm  
 Slip : 0.56 %  
 Voltage : 460 V  
 Rated current : 270 A  
 Locked rotor current : 2300 A  
 Locked rotor current (I<sub>L</sub>/I<sub>n</sub>) : 8.5  
 No-load current : 89.0 A  
 Full load torque : 362 lb.ft  
 Locked rotor torque : 250 %  
 Breakdown torque : 350 %  
 Design : ---  
 Insulation class : F  
 Temperature rise : 80 K  
 Locked rotor time : 16 s (hot)  
 Service factor : 1.15  
 Duty cycle : S1  
 Ambient temperature : -20°C - +40°C  
 Altitude : 1000 m  
 Degree of Protection : IP55  
 Approximate weight : 2276 lb  
 Moment of inertia : 33.799 sq.ft.lb  
 Noise level : 81 dB(A)

|                     | D.E.    | N.D.E.  |
|---------------------|---------|---------|
| Bearings            | 6314 C3 | 6314 C3 |
| Regreasing interval | 4000 h  | 4000 h  |
| Grease amount       | 27 g    | 27 g    |

| Load | Power factor | Efficiency (%) |
|------|--------------|----------------|
| 100% | 0.90         | 95.4           |
| 75%  | 0.86         | 95.0           |
| 50%  | 0.76         | 94.1           |

Notes:  
 Downloaded from <http://dealerselectric.com>  
 Generated for Model #18536EP3Y315S/M-W22

Performed by

Checked



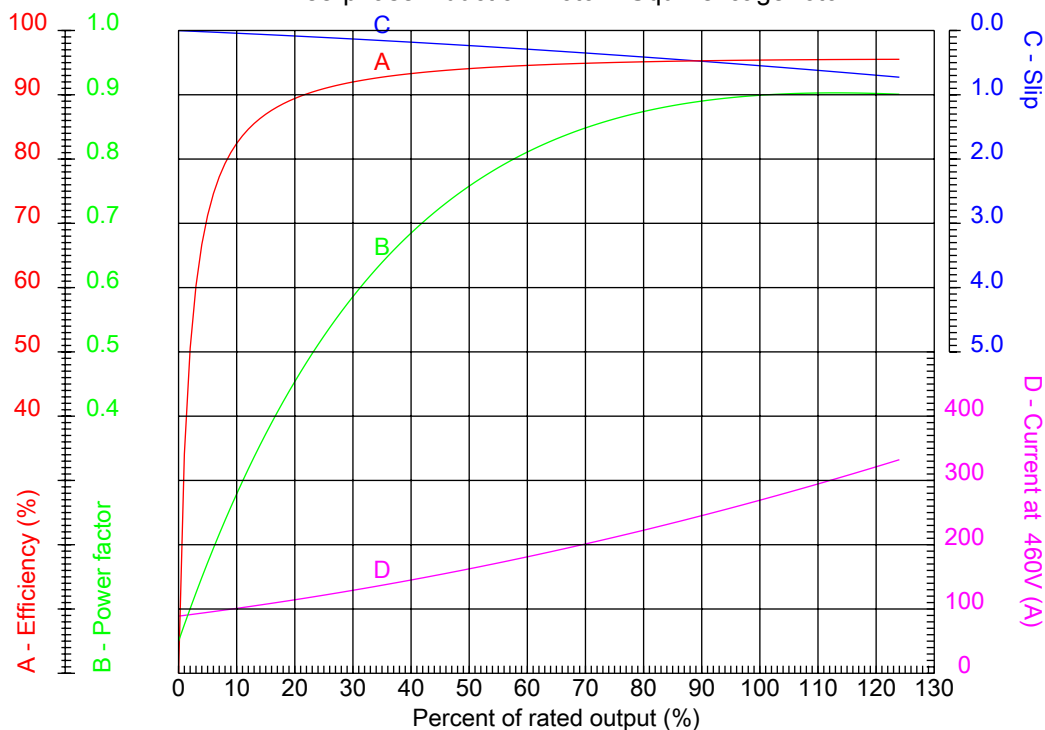
# Dealers Industrial Equipment

No.:

Date: 28-SEP-2016

## PERFORMANCE CURVES RELATED TO RATED OUTPUT

Three-phase induction motor - Squirrel cage rotor



Customer :  
Product line : Three-Phase: W22 IE2 IEC Tru-Metric - TEFC (IP55) Cast Iron Frame

|                  |            |  |         |
|------------------|------------|--|---------|
| Frame            | : 315S/M   | Locked rotor current (I <sub>l</sub> /I <sub>n</sub> ) | : 8.5   |
| Output           | : 250 HP   | Duty cycle   | : S1    |
| Frequency        | : 60 Hz    | Service factor   | : 1.15  |
| Full load speed  | : 3580 rpm | Design   | : ---   |
| Voltage          | : 460 V    | Locked rotor torque                                    | : 250 % |
| Rated current    | : 270 A    | Breakdown torque                                       | : 350 % |
| Insulation class | : F        |  |         |

Notes:  
Downloaded from <http://dealerselectric.com>  
Generated for Model #18536EP3Y315S/M-W22

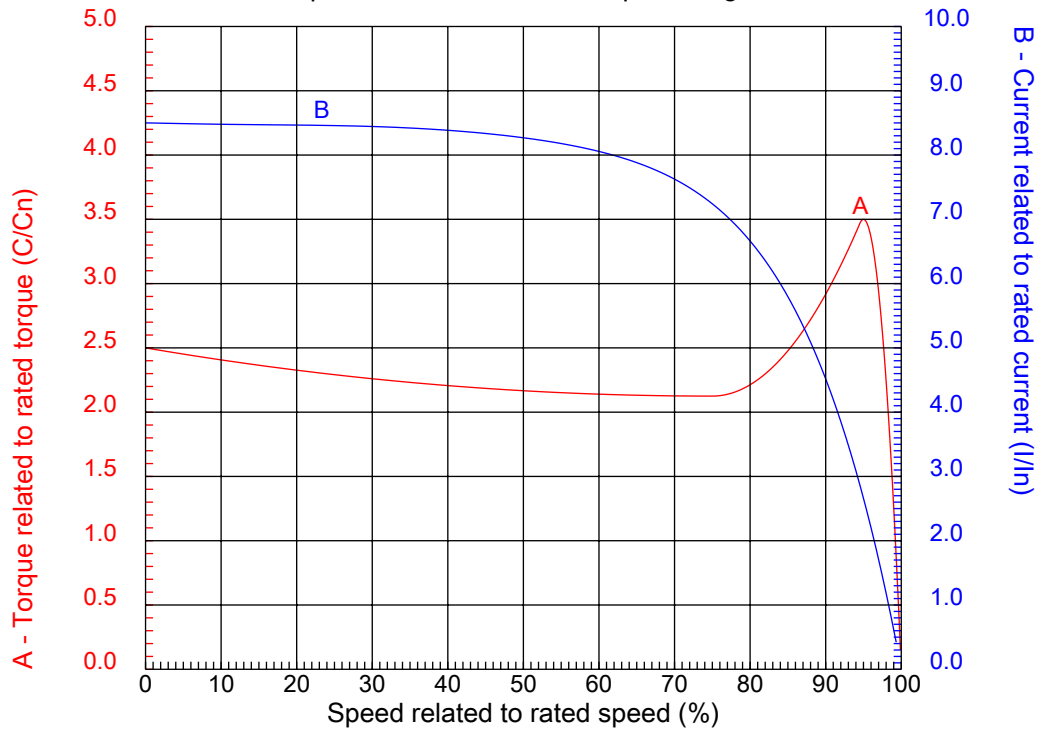
Performed by

Checked



## CHARACTERISTIC CURVES RELATED TO SPEED

Three-phase induction motor - Squirrel cage rotor



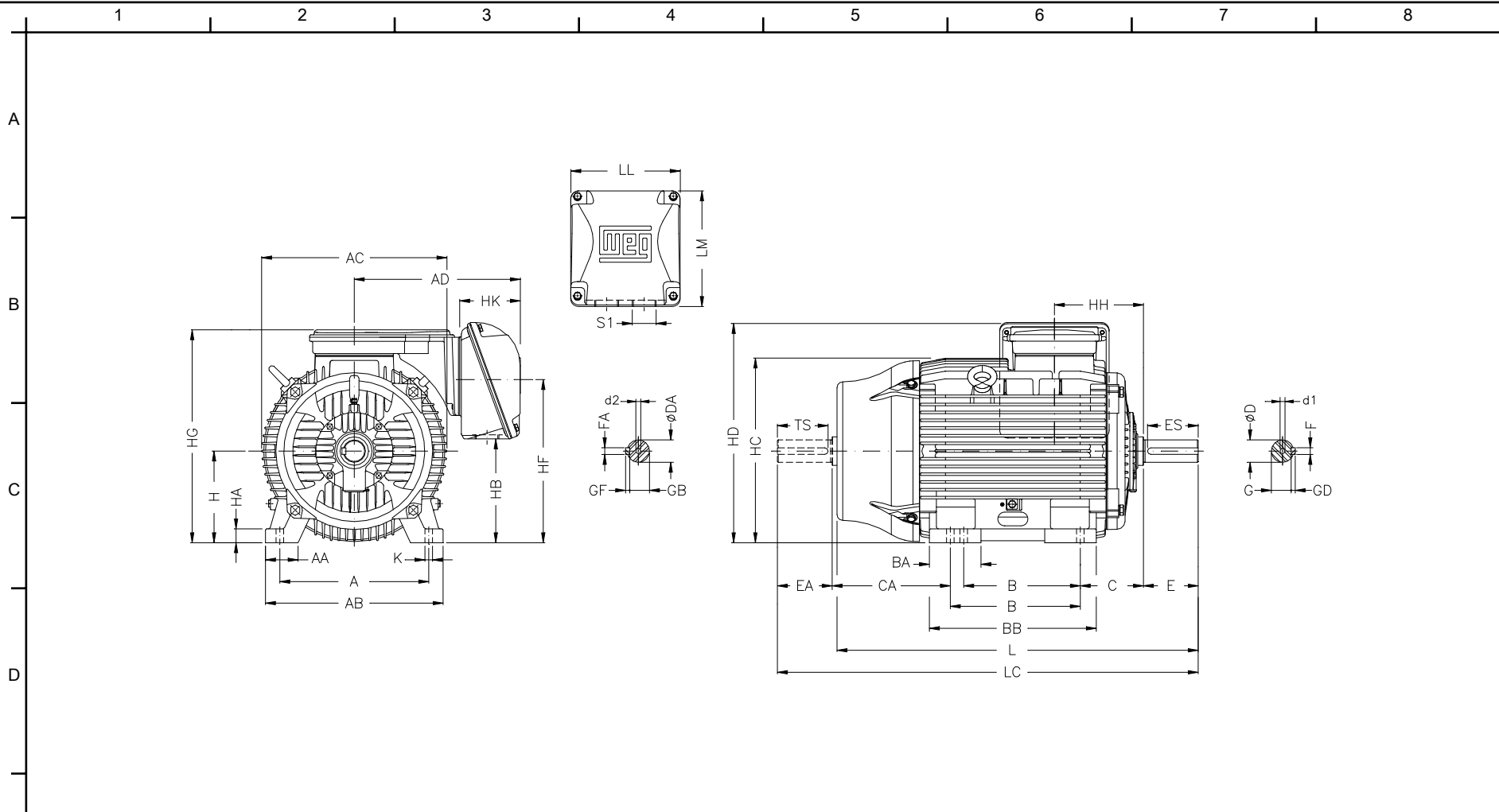
Customer :  
Product line : Three-Phase: W22 IE2 IEC Tru-Metric - TEFC (IP55) Cast Iron Frame

|                  |            |  |         |
|------------------|------------|--|---------|
| Frame            | : 315S/M   | Locked rotor current (I <sub>l</sub> /I <sub>n</sub> ) | : 8.5   |
| Output           | : 250 HP   | Duty cycle   | : S1    |
| Frequency        | : 60 Hz    | Service factor   | : 1.15  |
| Full load speed  | : 3580 rpm | Design   | : ---   |
| Voltage          | : 460 V    | Locked rotor torque                                    | : 250 % |
| Rated current    | : 270 A    | Breakdown torque                                       | : 350 % |
| Insulation class | : F        |  |         |

Notes:  
Downloaded from <http://dealerselectric.com>  
Generated for Model #18536EP3Y315S/M-W22

Performed by

Checked



Notes: Downloaded from <http://dealerselectric.com>  
 Generated for Model #18536EP3Y315S/M-W22

|         |           |      |      |         |
|---------|-----------|------|------|---------|
| A       | AA        | AB   | AC   | AD      |
| 508     | 120       | 630  | 657  | 525     |
| B       | BA        | BB   | C    | CA      |
| 406/457 | 184       | 621  | 216  | 494/443 |
| D       | E         | ES   | F    | G       |
| 65m6    | 140       | 125  | 18   | 58      |
| GD      | DA        | EA   | TS   | FA      |
| 11      | 60m6      | 140  | 125  | 18      |
| GB      | GF        | H    | HA   | HB      |
| 53      | 11        | 315  | 48   | 386     |
| HC      | HD        | HF   | HG   | HH      |
| 644     | 768       | 592  | 751  | 264     |
| HK      | K         | L    | LC   | LL      |
| 176     | 28        | 1244 | 1392 | 379     |
| LM      | S1        | d1   | d2   |         |
| 382     | 2xM63x1.5 | DM20 | DM20 |         |

Performed by:

Checked:

Customer:

Three-Phase: W22 IE2 IEC Tru-Metric - TEFC (IP55) Cast Iron Frame

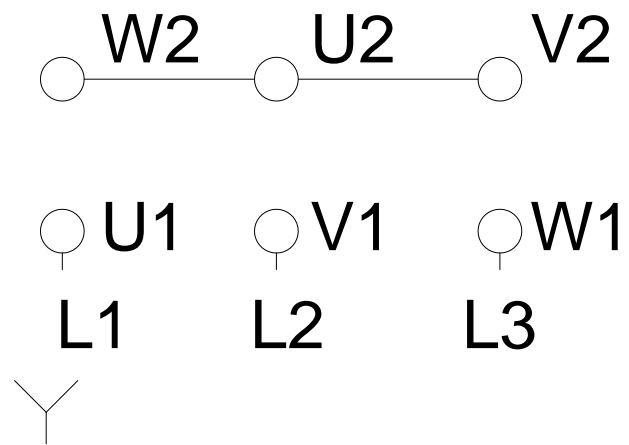
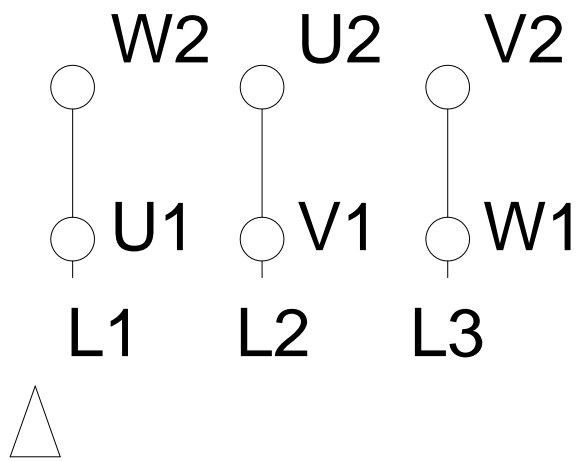
Three-phase induction motor  
 Frame 315S/M - IP55

28-SEP-2016



# LOW VOLTAGE

# HIGH VOLTAGE



Notes: Downloaded from <http://dealerselectric.com>  
Generated for Model #18536EP3Y315S/M-W22

Performed by:

Checked:

Customer:

Three-Phase: W22 IE2 IEC Tru-Metric - TEFC (IP55) Cast Iron Frame

Three-phase induction motor  
Frame 315S/M - IP55

28-SEP-2016

