



Dealers Industrial Equipment

No.:

Date: 28-SEP-2016

Customer :

TECHNICAL PROPOSAL

Three-phase induction motor - Squirrel cage rotor

Product line : Three-Phase: W22 IE2 IEC Tru-Metric - TEFC (IP55) Cast Iron Frame

Catalog Number : 18518EP3Y315S/M-W22

List Price : \$23,435

Notes:

Downloaded from <http://dealerselectric.com>

Generated for Model #18518EP3Y315S/M-W22

Performed by:

Checked:



Dealers Industrial Equipment

No.:

Date: 28-SEP-2016

DATA SHEET Three-phase induction motor - Squirrel cage rotor

Customer :
 Product line : Three-Phase: W22 IE2 IEC Tru-Metric - TEFC (IP55) Cast Iron Frame

Frame : 315S/M
 Output : 250 HP
 Frequency : 60 Hz
 Poles : 4
 Full load speed : 1790 rpm
 Slip : 0.56 %
 Voltage : 460 V
 Rated current : 283 A
 Locked rotor current : 2210 A
 Locked rotor current (I_L/I_n) : 7.8
 No-load current : 103 A
 Full load torque : 724 lb.ft
 Locked rotor torque : 280 %
 Breakdown torque : 270 %
 Design : ---
 Insulation class : F
 Temperature rise : 80 K
 Locked rotor time : 18 s (hot)
 Service factor : 1.15
 Duty cycle : S1
 Ambient temperature : -20°C - +40°C
 Altitude : 1000 m
 Degree of Protection : IP55
 Approximate weight : 2456 lb
 Moment of inertia : 65.893 sq.ft.lb
 Noise level : 75 dB(A)

	D.E.	N.D.E.
Bearings	6319 C3	6316 C3
Regreasing interval	8000 h	10000 h
Grease amount	45 g	34 g

Load	Power factor	Efficiency (%)
100%	0.86	95.4
75%	0.83	95.0
50%	0.72	94.1

Notes:
 Downloaded from <http://dealerselectric.com>
 Generated for Model #18518EP3Y315S/M-W22

Performed by

Checked



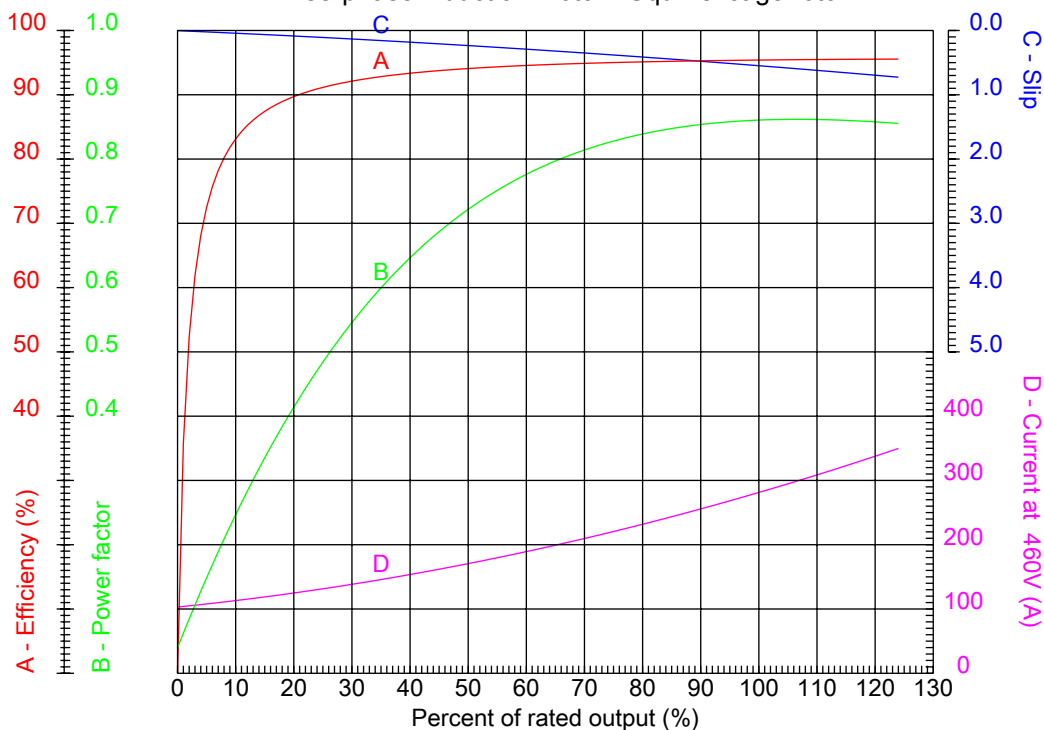
Dealers Industrial Equipment

No.:

Date: 28-SEP-2016

PERFORMANCE CURVES RELATED TO RATED OUTPUT

Three-phase induction motor - Squirrel cage rotor



Customer :
 Product line : Three-Phase: W22 IE2 IEC Tru-Metric - TEFC (IP55) Cast Iron Frame

Frame	: 315S/M	Locked rotor current (I _l /I _n)	: 7.8
Output	: 250 HP	Duty cycle	: S1
Frequency	: 60 Hz	Service factor	: 1.15
Full load speed	: 1790 rpm	Design	: ---
Voltage	: 460 V	Locked rotor torque	: 280 %
Rated current	: 283 A	Breakdown torque	: 270 %
Insulation class	: F		

Notes:
 Downloaded from <http://dealerselectric.com>
 Generated for Model #18518EP3Y315S/M-W22

Performed by

Checked



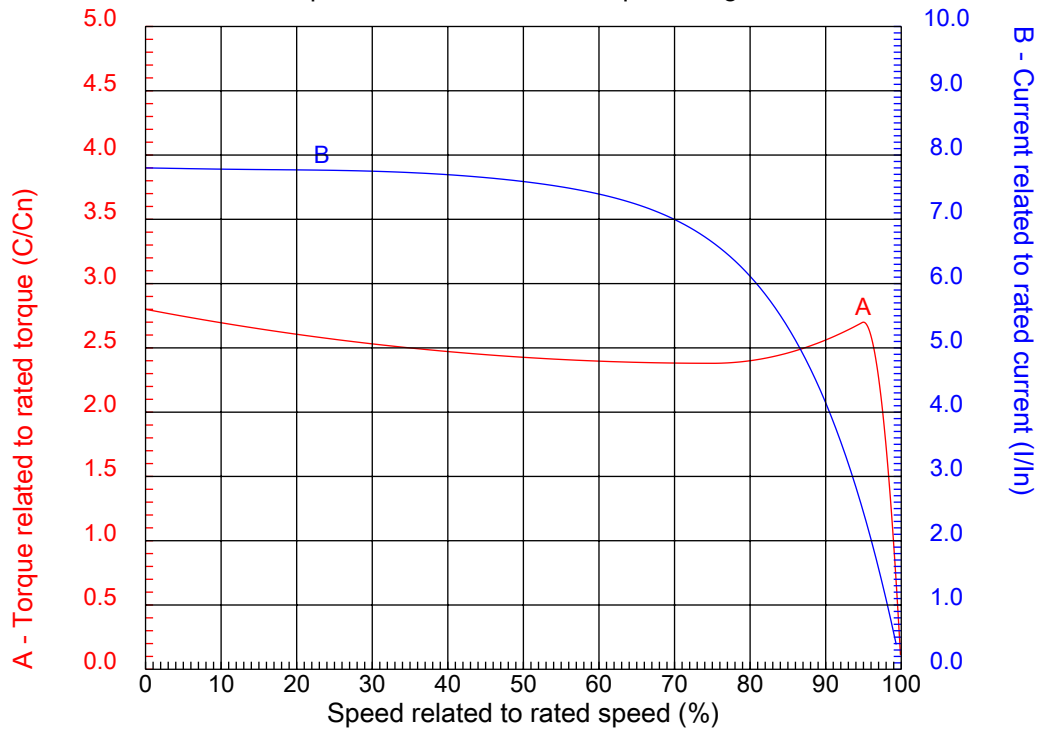
Dealers Industrial Equipment

No.:

Date: 28-SEP-2016

CHARACTERISTIC CURVES RELATED TO SPEED

Three-phase induction motor - Squirrel cage rotor



Customer :
Product line : Three-Phase: W22 IE2 IEC Tru-Metric - TEFC (IP55) Cast Iron Frame

Frame	: 315S/M	Locked rotor current (I _l /I _n)	: 7.8
Output	: 250 HP	Duty cycle	: S1
Frequency	: 60 Hz	Service factor	: 1.15
Full load speed	: 1790 rpm	Design	: ---
Voltage	: 460 V	Locked rotor torque	: 280 %
Rated current	: 283 A	Breakdown torque	: 270 %
Insulation class	: F		

Notes:
Downloaded from <http://dealerselectric.com>
Generated for Model #18518EP3Y315S/M-W22

Performed by

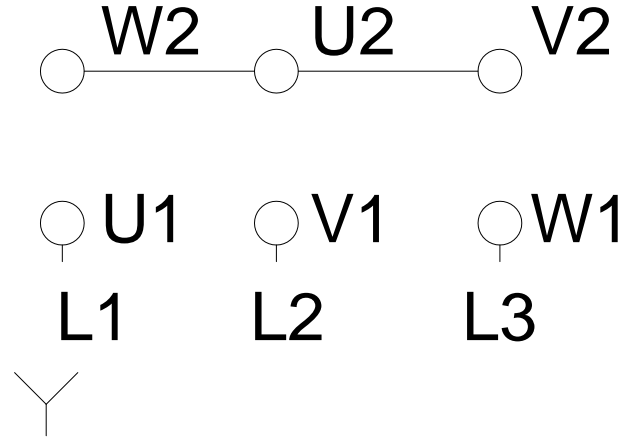
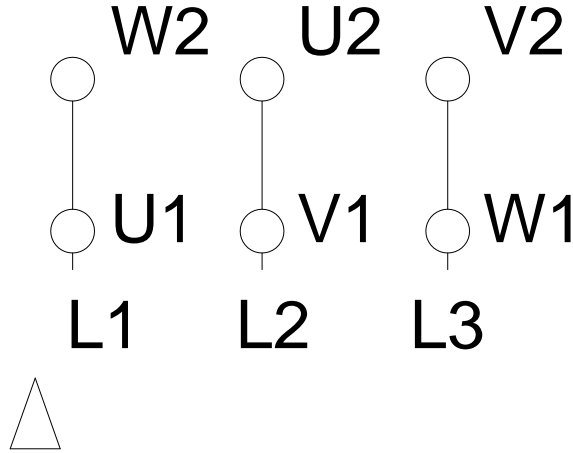
Checked

1 2 3 4 5 6 7 8

LOW VOLTAGE

HIGH VOLTAGE

A
B
C
D
E
F



Notes: Downloaded from http://dealerselectric.com Generated for Model #18518EP3Y315S/M-W22		
Performed by:		
Checked:		
Customer:		
Three-Phase: W22 IE2 IEC Tru-Metric - TEFC (IP55) Cast Iron Frame		
Three-phase induction motor Frame 315S/M - IP55	28-SEP-2016	