



# Dealers Industrial Equipment

No.:

Date: 28-SEP-2016

Customer :

## TECHNICAL PROPOSAL

### Three-phase induction motor - Squirrel cage rotor

Product line : W22 Super Premium

Catalog Number : 15036EG3G445TS-W22

List Price : \$20,770

#### Notes:

Downloaded from <http://dealerselectric.com>

Generated for Model #15036EG3G445TS-W22

Performed by:

Checked:



# Dealers Industrial Equipment

No.:

Date: 28-SEP-2016

## DATA SHEET Three-phase induction motor - Squirrel cage rotor

Customer :  
Product line : W22 Super Premium

Frame : 444/5TS  
Output : 150 HP  
Frequency : 60 Hz  
Poles : 2  
Full load speed : 3580 rpm  
Slip : 0.56 %  
Voltage : 460 V  
Rated current : 163 A  
Locked rotor current : 1290 A  
Locked rotor current (I<sub>L</sub>/I<sub>n</sub>) : 7.9  
No-load current : 53.0 A  
Full load torque : 217 lb.ft  
Locked rotor torque : 260 %  
Breakdown torque : 320 %  
Design : A  
Insulation class : F  
Temperature rise : 80 K  
Locked rotor time : 30 s (hot)  
Service factor : 1.25  
Duty cycle : S1  
Ambient temperature : -20°C - +40°C  
Altitude : 1000 m  
Degree of Protection : IP55  
Approximate weight : 1863 lb  
Moment of inertia : 38.453 sq.ft.lb  
Noise level : 81 dB(A)

	D.E.	N.D.E.
Bearings	6314 C3	6314 C3
Regreasing interval	4000 h	4000 h
Grease amount	27 g	27 g

Load	Power factor	Efficiency (%)
100%	0.88	96.2
75%	0.85	95.8
50%	0.77	94.5

Notes:  
Downloaded from <http://dealerselectric.com>  
Generated for Model #15036EG3G445TS-W22

Performed by

Checked



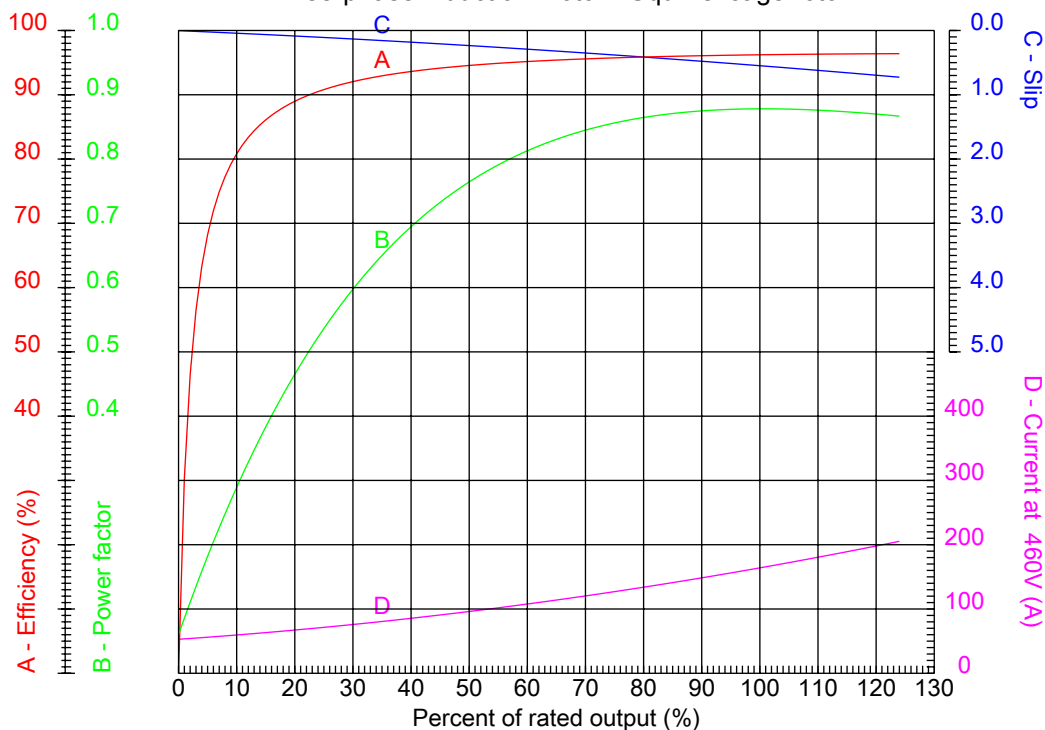
# Dealers Industrial Equipment

No.:

Date: 28-SEP-2016

## PERFORMANCE CURVES RELATED TO RATED OUTPUT

Three-phase induction motor - Squirrel cage rotor



Customer :  
Product line : W22 Super Premium

Frame : 444/5TS	Locked rotor current (I <sub>l</sub> /I <sub>n</sub> ) : 7.9
Output : 150 HP	Duty cycle : S1
Frequency : 60 Hz	Service factor : 1.25
Full load speed : 3580 rpm	Design : A
Voltage : 460 V	Locked rotor torque : 260 %
Rated current : 163 A	Breakdown torque : 320 %
Insulation class : F	

Notes:  
Downloaded from <http://dealerselectric.com>  
Generated for Model #15036EG3G445TS-W22

Performed by

Checked



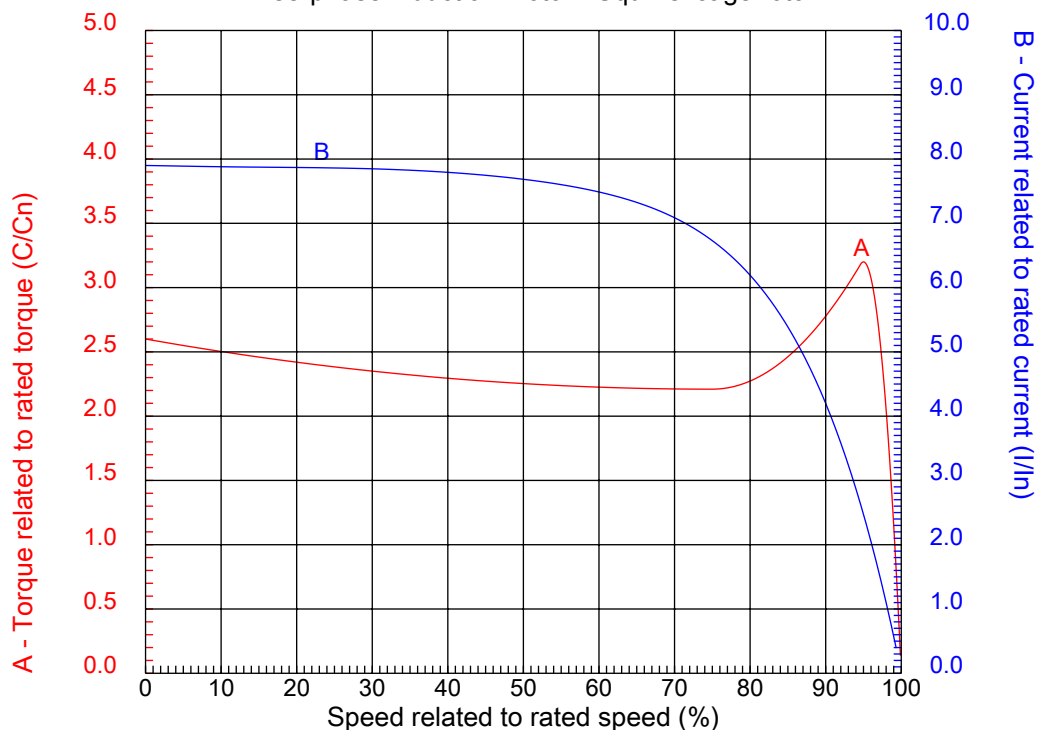
# Dealers Industrial Equipment

No.:

Date: 28-SEP-2016

## CHARACTERISTIC CURVES RELATED TO SPEED

Three-phase induction motor - Squirrel cage rotor



Customer :  
Product line : W22 Super Premium

Frame	: 444/5TS	Locked rotor current (I <sub>l</sub> /I <sub>n</sub> )	: 7.9
Output	: 150 HP	Duty cycle	: S1
Frequency	: 60 Hz	Service factor	: 1.25
Full load speed	: 3580 rpm	Design	: A
Voltage	: 460 V	Locked rotor torque	: 260 %
Rated current	: 163 A	Breakdown torque	: 320 %
Insulation class	: F		

Notes:  
Downloaded from <http://dealerselectric.com>  
Generated for Model #15036EG3G445TS-W22

Performed by

Checked

1 2 3 4 5 6 7 8

A

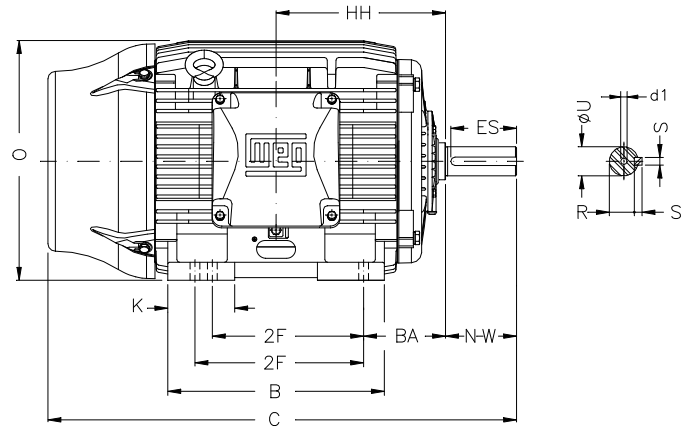
B

C

D

E

F



Notes: Downloaded from <http://dealerselectric.com>  
Generated for Model #15036EG3G445TS-W22

Performed by:

Checked:

Customer:

W22 Super Premium

Three-phase induction motor  
Frame 444/5TS - IP55

28-SEP-2016



2E 18.000	J 3.937	A 21.929	P 23.583	AB 18.570
2F 14.500/16.500	K 5.866	B 20.315	BA 7.500	U 2.375
N-W 4.750	ES 3.000	S 0.625	R 2.021	depth 0.625
D 11.000	G 1.630	HB 5.687	O 22.795	HH 15.748
HK 5.970	H 0.810	C 41.407	LL 12.362	LM 12.283
AA 2xNPT 3"	d1 DUNC 3/4"-10			

1 2 3 4 5 6 7 8

A

### PART-WINDING

### WYE-DELTA

#### START

#### RUN

#### START

#### RUN

B



C

L1 L2 L3

L1 L2 L3

L1 L2 L3

L1 L2 L3

D

E

F

Notes: Downloaded from <a href="http://dealerselectric.com">http://dealerselectric.com</a> Generated for Model #15036EG3G445TS-W22		
Performed by:		
Checked:		
Customer:		
W22 Super Premium		
Three-phase induction motor Frame 444/5TS - IP55	28-SEP-2016	