



Dealers Industrial Equipment

No.:

Date: 28-SEP-2016

Customer :

TECHNICAL PROPOSAL

Three-phase induction motor - Squirrel cage rotor

Product line : Three-Phase : Explosion Proof - NEMA Premium

Catalog Number : 15018XT3H445T

List Price : \$21,557

Notes:

Downloaded from <http://dealerselectric.com>

Generated for Model #15018XT3H445T

Performed by:

Checked:



# Dealers Industrial Equipment

No.:

Date: 28-SEP-2016

## DATA SHEET Three-phase induction motor - Squirrel cage rotor

Customer :  
 Product line : Three-Phase : Explosion Proof - NEMA Premium

Frame : 444/5T  
 Output : 150 HP  
 Frequency : 60 Hz  
 Poles : 4  
 Full load speed : 1780 rpm  
 Slip : 1.11 %  
 Voltage : 575 V  
 Rated current : 136 A  
 Locked rotor current : 857 A  
 Locked rotor current (I<sub>L</sub>/I<sub>n</sub>) : 6.3  
 No-load current : 41.6 A  
 Full load torque : 437 lb.ft  
 Locked rotor torque : 220 %  
 Breakdown torque : 250 %  
 Design : B  
 Insulation class : F  
 Temperature rise : 80 K  
 Locked rotor time : 22 s (hot)  
 Service factor : 1.15  
 Duty cycle : S1  
 Ambient temperature : -20°C - +40°C  
 Altitude : 1000 m  
 Degree of Protection : IP55  
 Approximate weight : 2095 lb  
 Moment of inertia : 66.690 sq.ft.lb  
 Noise level : 76 dB(A)

|                     | D.E.    | N.D.E.  |
|---------------------|---------|---------|
| Bearings            | 6219 C3 | 6316 C3 |
| Regreasing interval | 8033 h  | 8569 h  |
| Grease amount       | 27 g    | 34 g    |

| Load | Power factor | Efficiency (%) |
|------|--------------|----------------|
| 100% | 0.85         | 95.8           |
| 75%  | 0.81         | 95.8           |
| 50%  | 0.72         | 95.0           |

Notes:  
 Downloaded from <http://dealerselectric.com>  
 Generated for Model #15018XT3H445T

Performed by

Checked



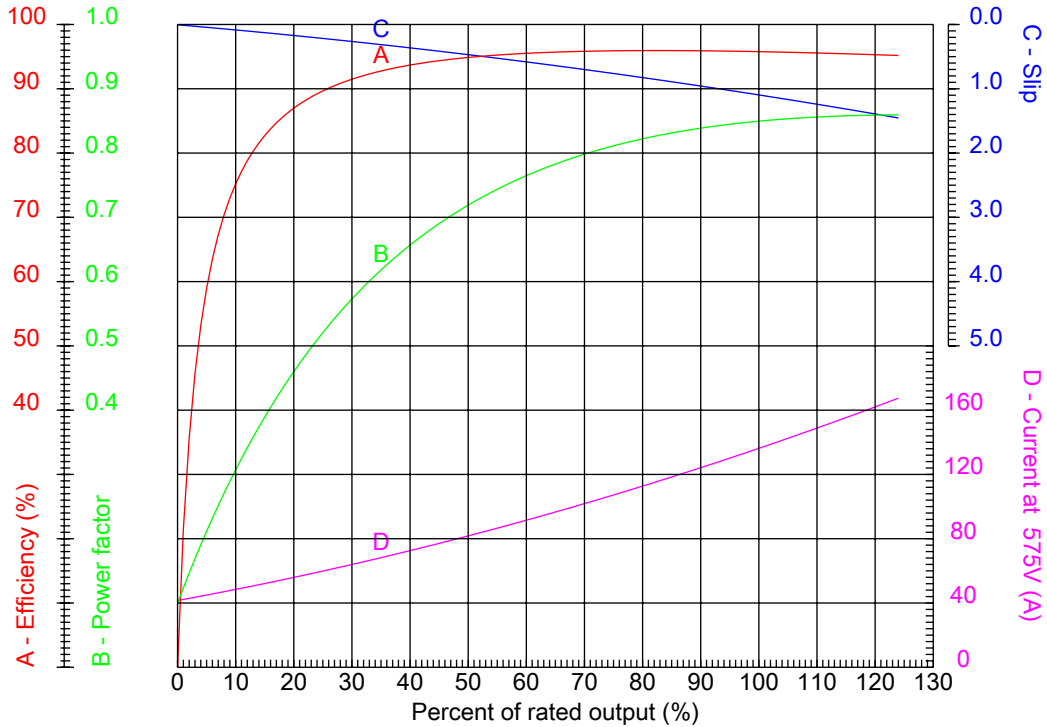
# Dealers Industrial Equipment

No.:

Date: 28-SEP-2016

## PERFORMANCE CURVES RELATED TO RATED OUTPUT

Three-phase induction motor - Squirrel cage rotor



Customer :  
 Product line : Three-Phase : Explosion Proof - NEMA Premium

|                            |  |
|----------------------------|--|
| Frame : 444/5T             | Locked rotor current (I <sub>l</sub> /I <sub>n</sub> ) : 6.3 |
| Output : 150 HP            | Duty cycle : S1  |
| Frequency : 60 Hz          | Service factor : 1.15  |
| Full load speed : 1780 rpm | Design : B   |
| Voltage : 575 V            | Locked rotor torque : 220 %                                  |
| Rated current : 136 A      | Breakdown torque : 250 %                                     |
| Insulation class : F       |  |

Notes:  
 Downloaded from <http://dealerselectric.com>  
 Generated for Model #15018XT3H445T

Performed by

Checked



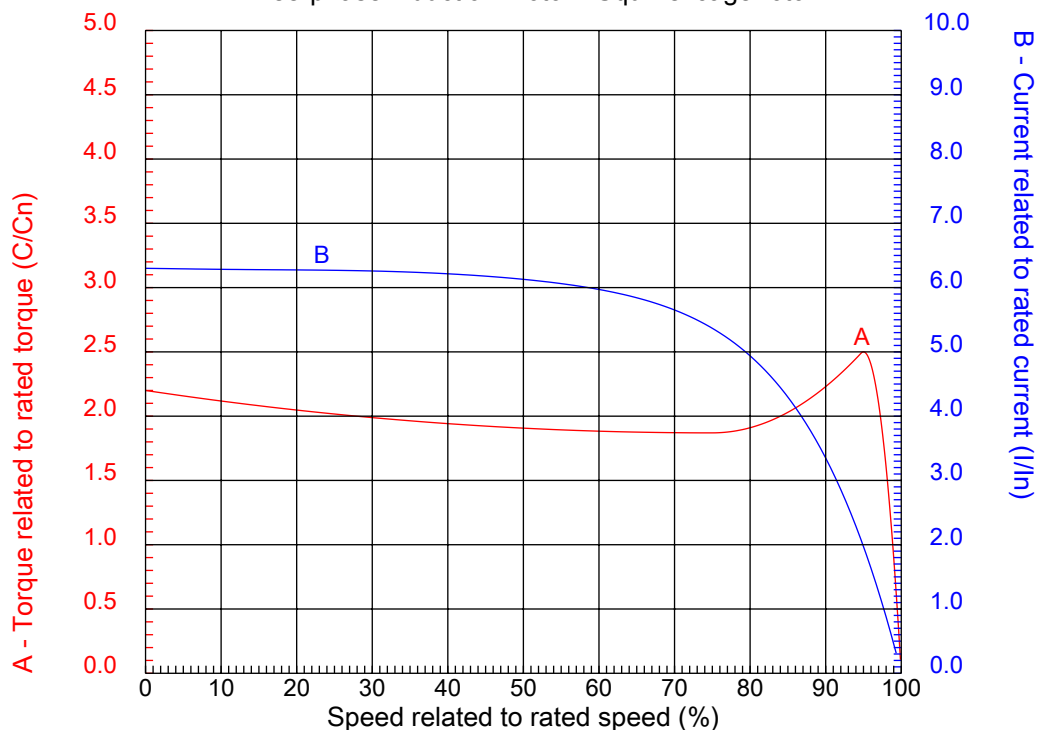
# Dealers Industrial Equipment

No.:

Date: 28-SEP-2016

## CHARACTERISTIC CURVES RELATED TO SPEED

Three-phase induction motor - Squirrel cage rotor



Customer :  
Product line : Three-Phase : Explosion Proof - NEMA Premium

|                  |            |  |         |
|------------------|------------|--|---------|
| Frame            | : 444/5T   | Locked rotor current (I <sub>l</sub> /I <sub>n</sub> ) | : 6.3   |
| Output           | : 150 HP   | Duty cycle   | : S1    |
| Frequency        | : 60 Hz    | Service factor   | : 1.15  |
| Full load speed  | : 1780 rpm | Design   | : B     |
| Voltage          | : 575 V    | Locked rotor torque                                    | : 220 % |
| Rated current    | : 136 A    | Breakdown torque                                       | : 250 % |
| Insulation class | : F        |  |         |

Notes:  
Downloaded from <http://dealerselectric.com>  
Generated for Model #15018XT3H445T

Performed by

Checked

1 2 3 4 5 6 7 8

A

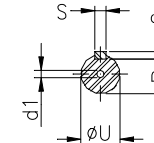
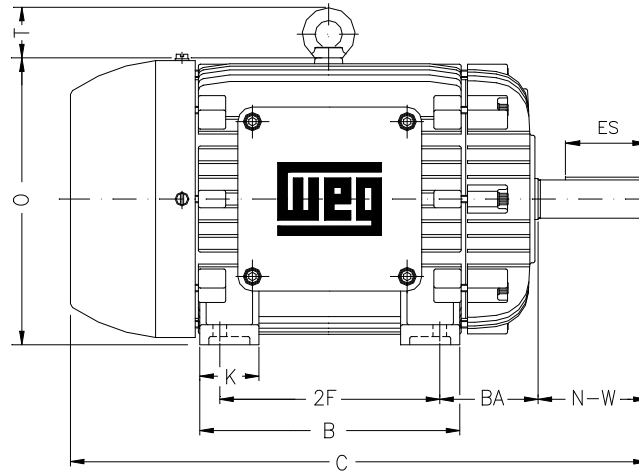
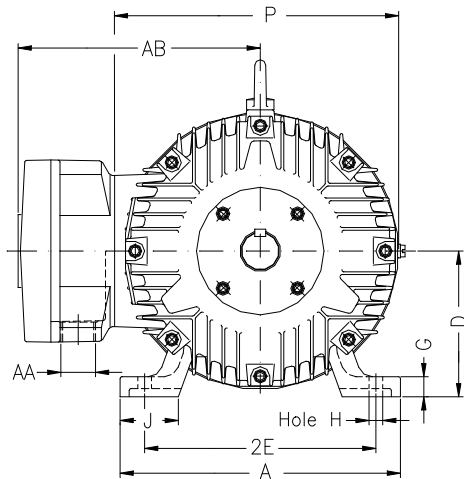
B

C

D

E

F



Notes: Downloaded from <http://dealerselectric.com>  
Generated for Model #15018XT3H445T

Performed by:

Checked:

Customer:

Three-Phase : Explosion Proof - NEMA Premium

Three-phase induction motor  
Frame 444/5T - IP55

28-SEP-2016



|                    |                      |                     |                |                    |
|--------------------|----------------------|---------------------|----------------|--------------------|
| 2E<br>18.000       | A<br>21.929          | 2F<br>14.500/16.500 | B<br>20.079    | BA<br>7.500        |
| J<br>3.937         | FBA<br>11.769/13.769 | K<br>5.591          | P<br>24.016    | ES<br>7.087        |
| depth<br>0.875     | S<br>0.875           | N-W<br>8.500        | U<br>3.375     | R<br>2.880         |
| AB<br>21.732       | D<br>11.000          | G<br>1.630          | O<br>23.622    | T<br>3.543         |
| H<br>0.807         | C<br>43.797          | FC<br>50.143        | AA<br>2xNPT 3" | d1<br>DUNC 3/4"-10 |
| d2<br>DUNC 3/4"-10 |                      |                     |                |                    |

1 2 3 4 5 6 7 8

A  
B  
C  
D  
E  
F

### RUN



### ONLY FOR START



|  |             |  |
|--|-------------|--|
| Notes: Downloaded from <a href="http://dealerselectric.com">http://dealerselectric.com</a><br>Generated for Model #15018XT3H445T |             |  |
| Performed by:  |             |  |
| Checked:   |             |  |
| Customer:  |             |  |
| Three-Phase : Explosion Proof - NEMA Premium   |             |  |
| Three-phase induction motor<br>Frame 444/5T - IP55   | 28-SEP-2016 |  |