



Dealers Industrial Equipment

No.:

Date: 28-SEP-2016

Customer :

TECHNICAL PROPOSAL

Three-phase induction motor - Squirrel cage rotor

Product line : W22 Super Premium

Catalog Number : 15018EG3G445T-W22

List Price : \$19,162

Notes:

Downloaded from <http://dealerselectric.com>

Generated for Model #15018EG3G445T-W22

Performed by:

Checked:



Dealers Industrial Equipment

No.:

Date: 28-SEP-2016

DATA SHEET Three-phase induction motor - Squirrel cage rotor

Customer :
Product line : W22 Super Premium

Frame : 444/5T
Output : 150 HP
Frequency : 60 Hz
Poles : 4
Full load speed : 1785 rpm
Slip : 0.83 %
Voltage : 460 V
Rated current : 170 A
Locked rotor current : 1510 A
Locked rotor current (I_L/I_n) : 8.9
No-load current : 71.0 A
Full load torque : 435 lb.ft
Locked rotor torque : 250 %
Breakdown torque : 300 %
Design : A
Insulation class : F
Temperature rise : 80 K
Locked rotor time : 30 s (hot)
Service factor : 1.25
Duty cycle : S1
Ambient temperature : -20°C - +40°C
Altitude : 1000 m
Degree of Protection : IP55
Approximate weight : 1951 lb
Moment of inertia : 73.029 sq.ft.lb
Noise level : 73 dB(A)

| | D.E. | N.D.E. |
|---------------------|---------|---------|
| Bearings | 6319 C3 | 6316 C3 |
| Regreasing interval | 8000 h | 10000 h |
| Grease amount | 45 g | 34 g |

| Load | Power factor | Efficiency (%) |
|------|--------------|----------------|
| 100% | 0.84 | 96.5 |
| 75% | 0.79 | 96.2 |
| 50% | 0.68 | 95.4 |

Notes:
Downloaded from <http://dealerselectric.com>
Generated for Model #15018EG3G445T-W22

Performed by

Checked



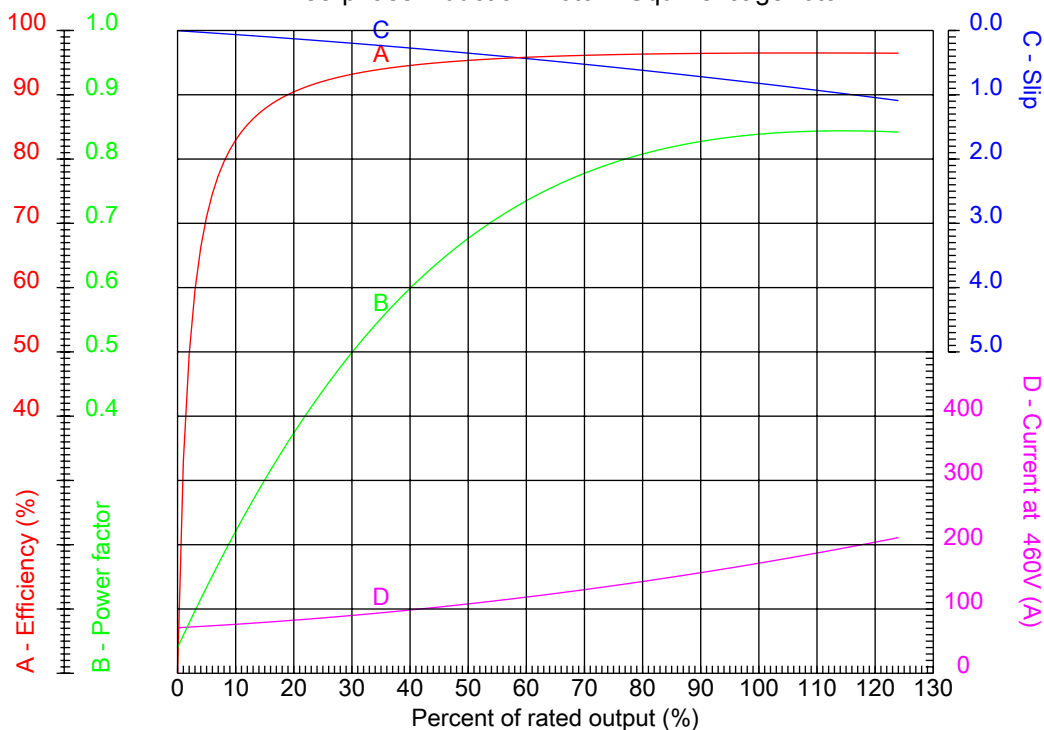
Dealers Industrial Equipment

No.:

Date: 28-SEP-2016

PERFORMANCE CURVES RELATED TO RATED OUTPUT

Three-phase induction motor - Squirrel cage rotor



Customer :
Product line : W22 Super Premium

| | |
|----------------------------|--|
| Frame : 444/5T | Locked rotor current (I _l /I _n) : 8.9 |
| Output : 150 HP | Duty cycle : S1 |
| Frequency : 60 Hz | Service factor : 1.25 |
| Full load speed : 1785 rpm | Design : A |
| Voltage : 460 V | Locked rotor torque : 250 % |
| Rated current : 170 A | Breakdown torque : 300 % |
| Insulation class : F | |

Notes:
Downloaded from <http://dealerselectric.com>
Generated for Model #15018EG3G445T-W22

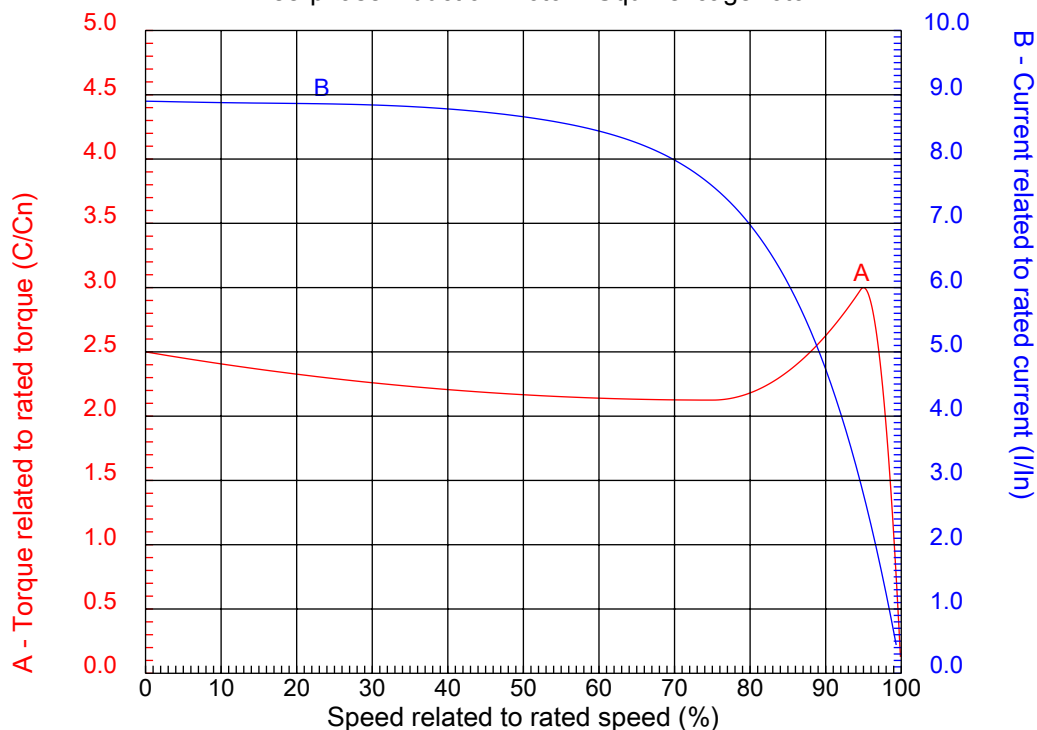
Performed by

Checked



CHARACTERISTIC CURVES RELATED TO SPEED

Three-phase induction motor - Squirrel cage rotor



Customer :
Product line : W22 Super Premium

| | | | |
|------------------|------------|--|---------|
| Frame | : 444/5T | Locked rotor current (I _l /I _n) | : 8.9 |
| Output | : 150 HP | Duty cycle | : S1 |
| Frequency | : 60 Hz | Service factor | : 1.25 |
| Full load speed | : 1785 rpm | Design | : A |
| Voltage | : 460 V | Locked rotor torque | : 250 % |
| Rated current | : 170 A | Breakdown torque | : 300 % |
| Insulation class | : F | | |

Notes:
Downloaded from <http://dealerselectric.com>
Generated for Model #15018EG3G445T-W22

Performed by

Checked

1 2 3 4 5 6 7 8

A

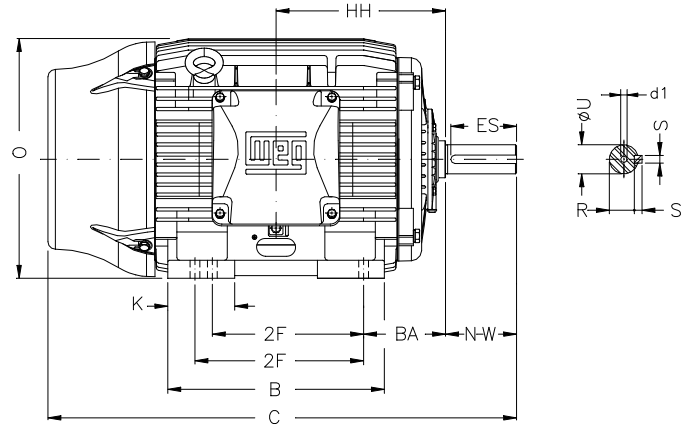
B

C

D

E

F



Notes: Downloaded from <http://dealerselectric.com>
Generated for Model #15018EG3G445T-W22

Performed by:

Checked:

Customer:

W22 Super Premium

Three-phase induction motor
Frame 444/5T - IP55

28-SEP-2016



| | | | | |
|---------------------|--------------------|-------------|--------------|----------------|
| 2E 18.000 | J 3.937 | A 21.929 | P 23.583 | AB 18.570 |
| 2F 14.500/16.500 | K 5.866 | B 20.315 | BA 7.500 | U 3.375 |
| N-W 8.500 | ES 7.087 | S 0.875 | R 2.880 | depth 0.875 |
| D 11.000 | G 1.630 | HB 5.687 | O 22.795 | HH 15.748 |
| HK 5.970 | H 0.810 | C 45.157 | LL 12.362 | LM 12.283 |
| AA 2xNPT 3" | d1 DUNC 3/4"-10 | | | |

1 2 3 4 5 6 7 8

A

PART-WINDING

WYE-DELTA

START

RUN

START

RUN

B



C

L1 L2 L3

L1 L2 L3

L1 L2 L3

L1 L2 L3

D

E

F

Notes: Downloaded from <http://dealerselectric.com>
 Generated for Model #15018EG3G445T-W22

Performed by:

Checked:

Customer:

W22 Super Premium

Three-phase induction motor
 Frame 444/5T - IP55

28-SEP-2016

