



Dealers Industrial Equipment

No.:

Date: 28-SEP-2016

Customer :

TECHNICAL PROPOSAL

Three-phase induction motor - Squirrel cage rotor

Product line : Three-Phase: W22 IE3 IEC Tru-Metric - TEFC (IP55) Cast Iron Frame

Catalog Number : 13218ET3Y315S/M-W22

List Price : \$19,732

Notes:

Downloaded from <http://dealerselectric.com>

Generated for Model #13218ET3Y315S/M-W22

Performed by:

Checked:



Dealers Industrial Equipment

No.:

Date: 28-SEP-2016

### DATA SHEET Three-phase induction motor - Squirrel cage rotor

Customer :  
Product line : Three-Phase: W22 IE3 IEC Tru-Metric - TEFC (IP55) Cast Iron Frame

Frame : 315S/M  
Output : 175 HP  
Frequency : 60 Hz  
Poles : 4  
Full load speed : 1790 rpm  
Slip : 0.56 %  
Voltage : 460 V  
Rated current : 203 A  
Locked rotor current : 1600 A  
Locked rotor current (I<sub>L</sub>/I<sub>n</sub>) : 7.9  
No-load current : 77.6 A  
Full load torque : 507 lb.ft  
Locked rotor torque : 310 %  
Breakdown torque : 330 %  
Design : ---  
Insulation class : F  
Temperature rise : 80 K  
Locked rotor time : 57 s (hot)  
Service factor : 1.25  
Duty cycle : S1  
Ambient temperature : -20°C - +40°C  
Altitude : 1000 m  
Degree of Protection : IP55  
Approximate weight : 2414 lb  
Moment of inertia : 69.729 sq.ft.lb  
Noise level : 75 dB(A)

	D.E.	N.D.E.
Bearings	6319 C3	6316 C3
Regreasing interval	8000 h	10000 h
Grease amount	45 g	34 g

Load	Power factor	Efficiency (%)
100%	0.85	96.2
75%	0.81	95.4
50%	0.72	94.1

Notes:  
Downloaded from <http://dealerselectric.com>  
Generated for Model #13218ET3Y315S/M-W22

Performed by

Checked



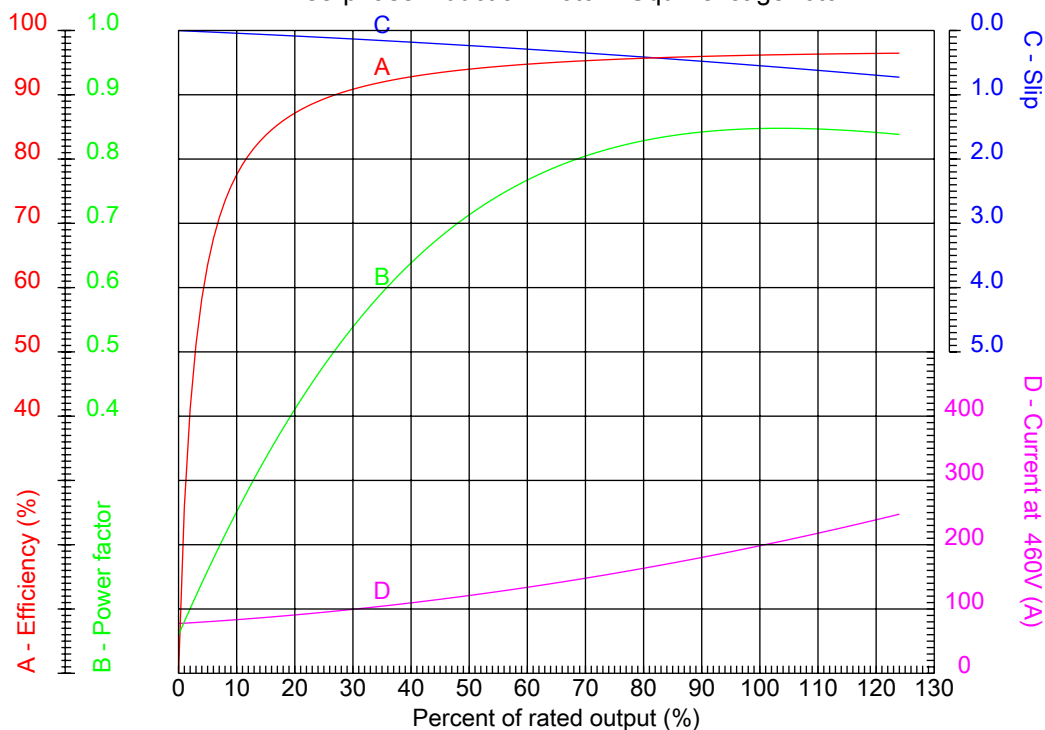
# Dealers Industrial Equipment

No.:

Date: 28-SEP-2016

## PERFORMANCE CURVES RELATED TO RATED OUTPUT

Three-phase induction motor - Squirrel cage rotor



Customer :  
Product line : Three-Phase: W22 IE3 IEC Tru-Metric - TEFC (IP55) Cast Iron Frame

Frame : 315S/M	Locked rotor current (I <sub>l</sub> /I <sub>n</sub> ) : 7.9
Output : 175 HP	Duty cycle : S1
Frequency : 60 Hz	Service factor : 1.25
Full load speed : 1790 rpm	Design : ---
Voltage : 460 V	Locked rotor torque : 310 %
Rated current : 203 A	Breakdown torque : 330 %
Insulation class : F	

Notes:  
Downloaded from <http://dealerselectric.com>  
Generated for Model #13218ET3Y315S/M-W22

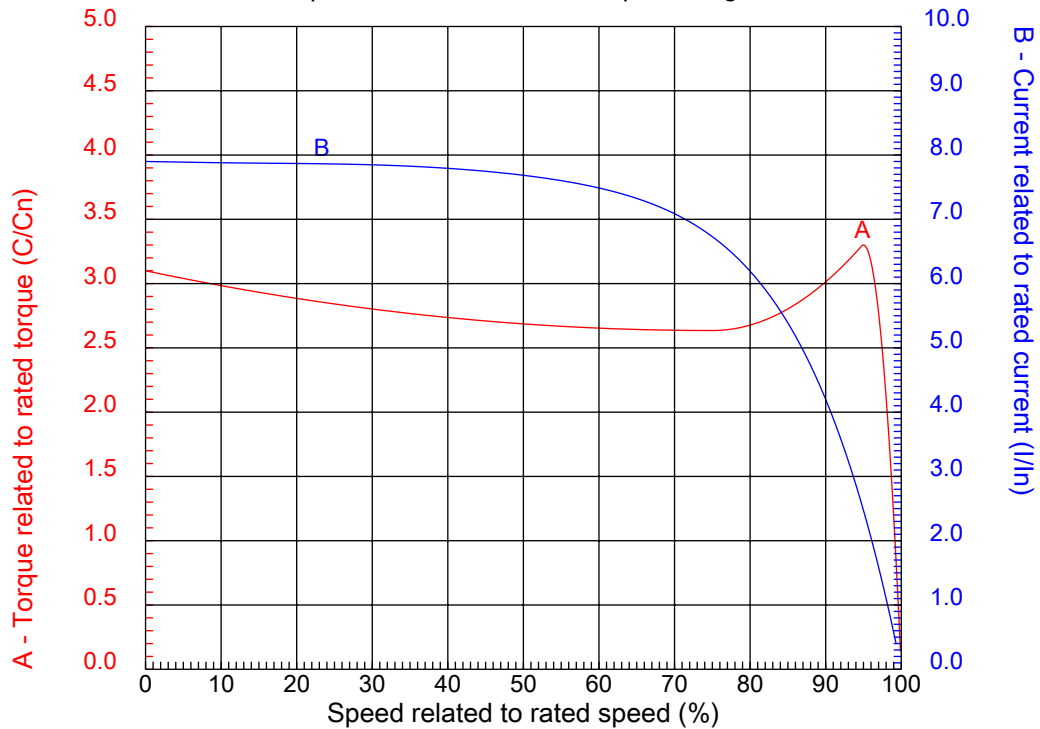
Performed by

Checked



## CHARACTERISTIC CURVES RELATED TO SPEED

Three-phase induction motor - Squirrel cage rotor



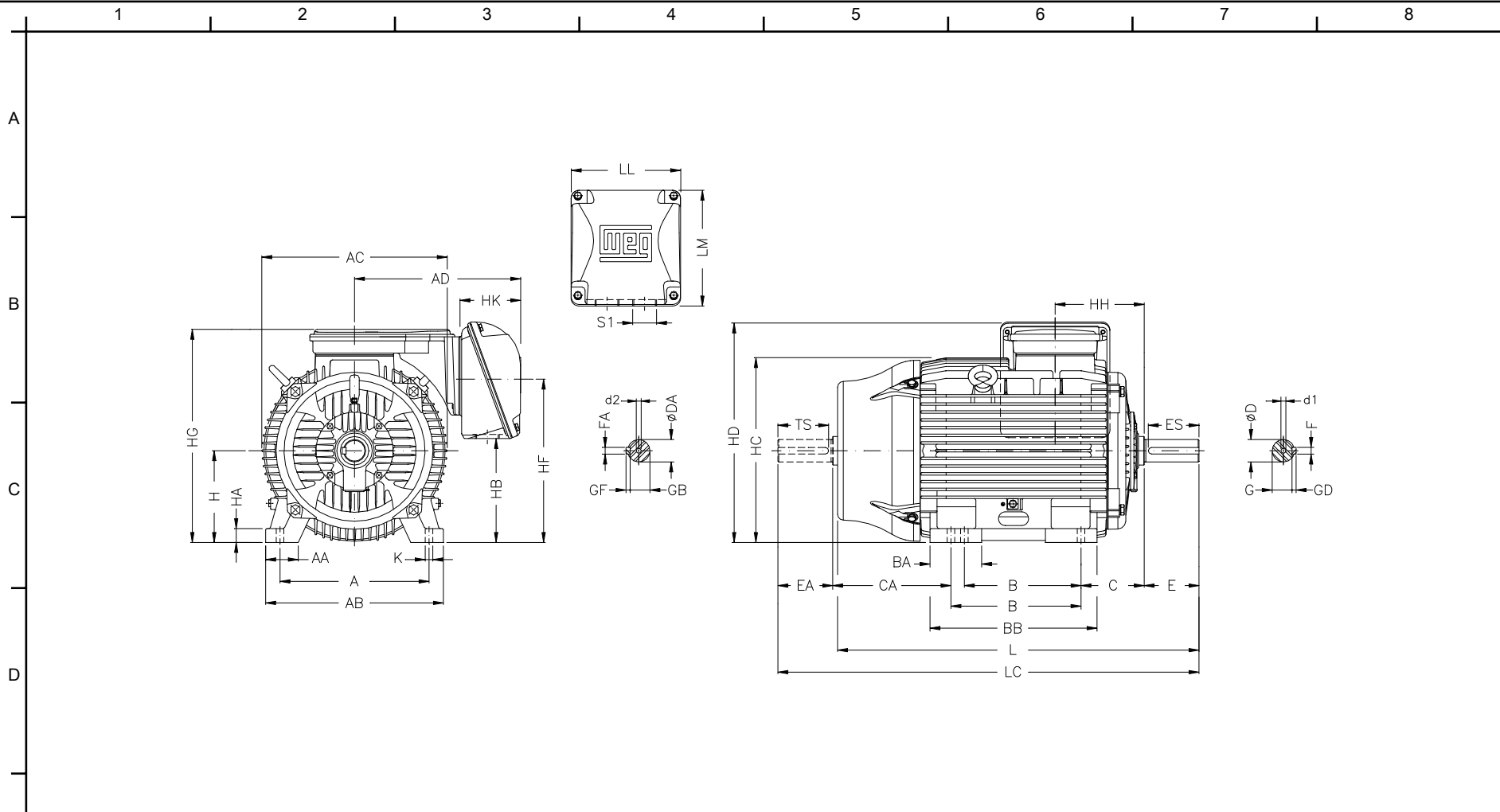
Customer :  
Product line : Three-Phase: W22 IE3 IEC Tru-Metric - TEFC (IP55) Cast Iron Frame

Frame	: 315S/M	Locked rotor current (I <sub>l</sub> /I <sub>n</sub> )	: 7.9
Output	: 175 HP	Duty cycle	: S1
Frequency	: 60 Hz	Service factor	: 1.25
Full load speed	: 1790 rpm	Design	: ---
Voltage	: 460 V	Locked rotor torque	: 310 %
Rated current	: 203 A	Breakdown torque	: 330 %
Insulation class	: F		

Notes:  
Downloaded from <http://dealerselectric.com>  
Generated for Model #13218ET3Y315S/M-W22

Performed by

Checked



Notes: Downloaded from <http://dealerselectric.com>  
 Generated for Model #13218ET3Y315S/M-W22

A	AA	AB	AC	AD
508	120	630	657	525
B	BA	BB	C	CA
406/457	184	621	216	494/443
D	E	ES	F	G
80m6	170	160	22	71
GD	DA	EA	TS	FA
14	65m6	140	125	18
GB	GF	H	HA	HC
58	11	315	48	644
HD	K	L	LC	S1
768	28	1274	1426	2xM63x1,5
d1	d2			
DM20	DM20			

Performed by:	
Checked:	
Customer:	
Three-Phase: W22 IE3 IEC Tru-Metric - TEFC (IP55) Cast Iron Frame	
Three-phase induction motor Frame 315S/M - IP55	28-SEP-2016

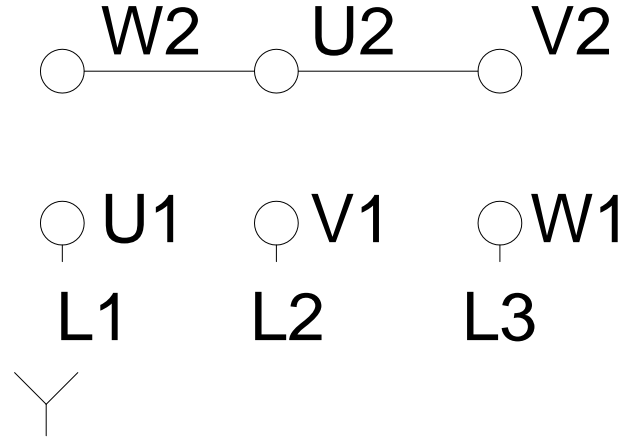
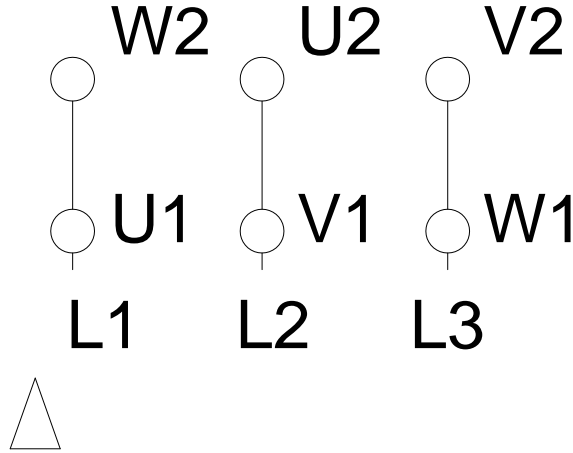


1 2 3 4 5 6 7 8

# LOW VOLTAGE

# HIGH VOLTAGE

A  
B  
C  
D  
E  
F



Notes: Downloaded from <a href="http://dealerselectric.com">http://dealerselectric.com</a> Generated for Model #13218ET3Y315S/M-W22		
Performed by:		
Checked:		
Customer:		
Three-Phase: W22 IE3 IEC Tru-Metric - TEFC (IP55) Cast Iron Frame		
Three-phase induction motor Frame 315S/M - IP55	28-SEP-2016	