



Dealers Industrial Equipment

No.:

Date: 28-SEP-2016

Customer :

TECHNICAL PROPOSAL

Three-phase induction motor - Squirrel cage rotor

Product line : ODP – Open Induction Motors – NEMA Premium Efficiency

Catalog Number : 12518OT3E405T

List Price : \$7,981

Notes:

Downloaded from <http://dealerselectric.com>

Generated for Model #12518OT3E405T

Performed by:

Checked:



Dealers Industrial Equipment

No.:

Date: 28-SEP-2016

DATA SHEET Three-phase induction motor - Squirrel cage rotor

Customer :
 Product line : ODP – Open Induction Motors – NEMA Premium Efficiency

Frame : 405T
 Output : 125 HP
 Frequency : 60 Hz
 Poles : 4
 Full load speed : 1780 rpm
 Slip : 1.11 %
 Voltage : 208-230/460 V
 Rated current : 301-272/136 A
 Locked rotor current : 1900/952 A
 Locked rotor current (I_L/I_n) : 7.0
 No-load current : 82.0/41.0 A
 Full load torque : 364 lb.ft
 Locked rotor torque : 240 %
 Breakdown torque : 250 %
 Design : B
 Insulation class : F
 Temperature rise : 80 K
 Locked rotor time : 10 s (hot)
 Service factor : 1.15
 Duty cycle : S1
 Ambient temperature : -20°C - +40°C
 Altitude : 1000 m
 Degree of Protection : IP23
 Approximate weight : 1088 lb
 Moment of inertia : 26.573 sq.ft.lb
 Noise level : 69 dB(A)

	D.E.	N.D.E.
Bearings	6316 C3	6314 C3
Regreasing interval	20000 h	20000 h
Grease amount	34 g	27 g

Load	Power factor	Efficiency (%)
100%	0.87	95.4
75%	0.85	95.4
50%	0.76	95.0

Notes:
 Downloaded from <http://dealerselectric.com>
 Generated for Model #12518OT3E405T

Performed by

Checked



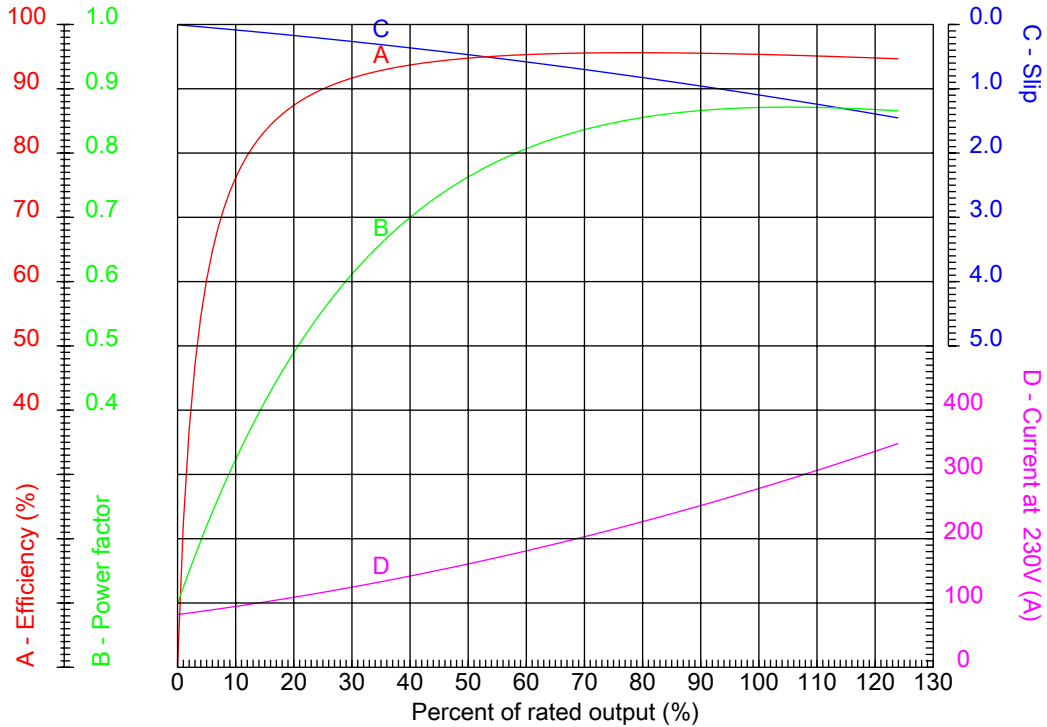
Dealers Industrial Equipment

No.:

Date: 28-SEP-2016

PERFORMANCE CURVES RELATED TO RATED OUTPUT

Three-phase induction motor - Squirrel cage rotor



Customer :
 Product line : ODP – Open Induction Motors – NEMA Premium Efficiency

Frame	: 405T	Locked rotor current (I _l /I _n)	: 7.0
Output	: 125 HP	Duty cycle	: S1
Frequency	: 60 Hz	Service factor	: 1.15
Full load speed	: 1780 rpm	Design	: B
Voltage	: 208-230/460 V	Locked rotor torque	: 240 %
Rated current	: 301-272/136 A	Breakdown torque	: 250 %
Insulation class	: F		

Notes:
 Downloaded from <http://dealerselectric.com>
 Generated for Model #12518OT3E405T

Performed by

Checked



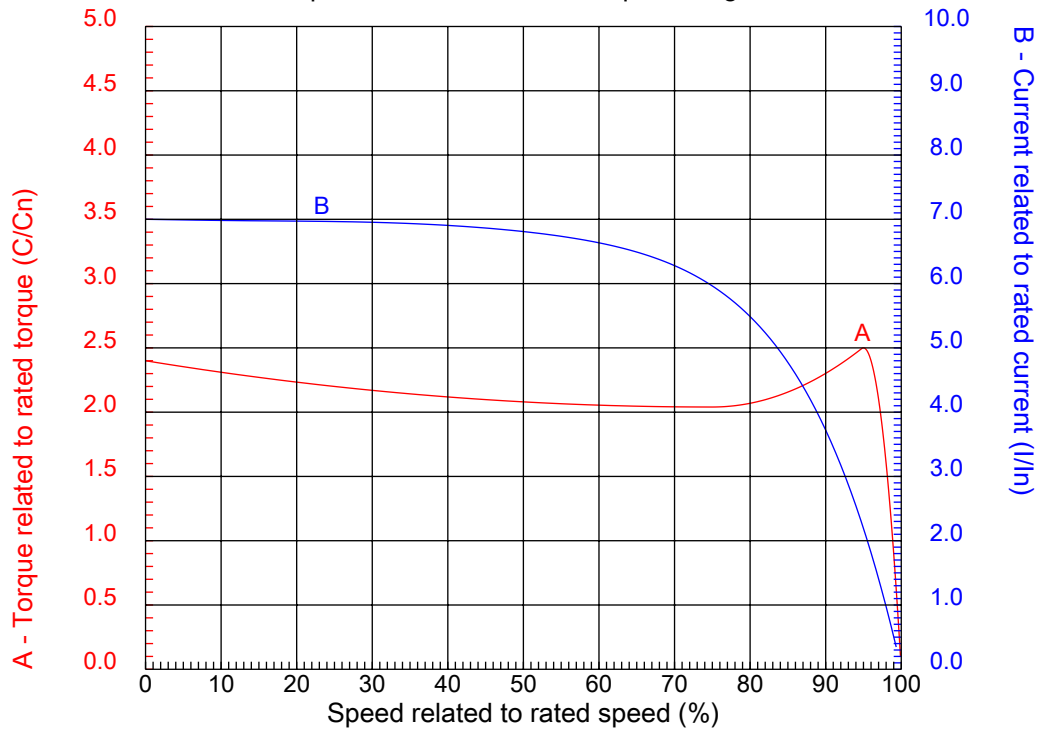
Dealers Industrial Equipment

No.:

Date: 28-SEP-2016

CHARACTERISTIC CURVES RELATED TO SPEED

Three-phase induction motor - Squirrel cage rotor



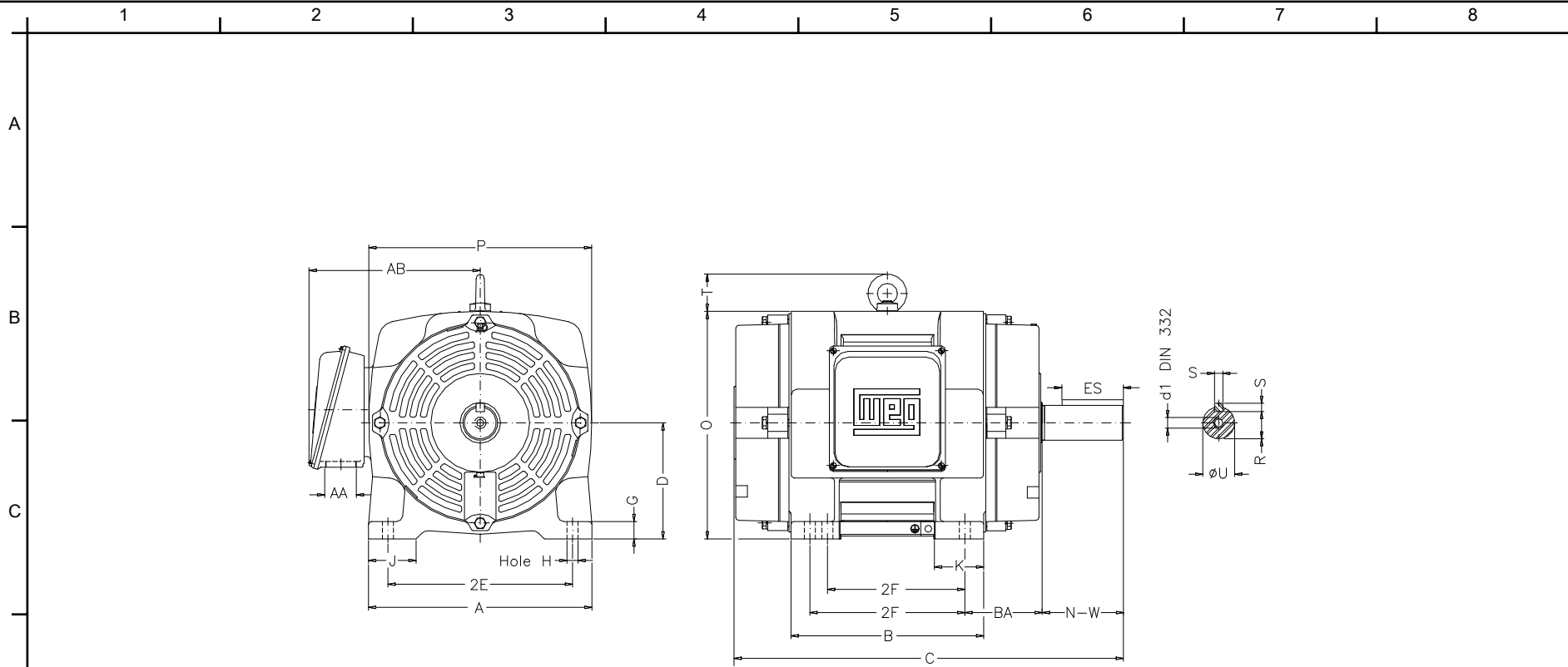
Customer :
Product line : ODP – Open Induction Motors – NEMA Premium Efficiency

Frame	: 405T	Locked rotor current (I _l /I _n)	: 7.0
Output	: 125 HP	Duty cycle	: S1
Frequency	: 60 Hz	Service factor	: 1.15
Full load speed	: 1780 rpm	Design	: B
Voltage	: 208-230/460 V	Locked rotor torque	: 240 %
Rated current	: 301-272/136 A	Breakdown torque	: 250 %
Insulation class	: F		

Notes:
Downloaded from <http://dealerselectric.com>
Generated for Model #12518OT3E405T

Performed by

Checked



Notes: Downloaded from <http://dealerselectric.com>
 Generated for Model #12518OT3E405T

Performed by:

Checked:

Customer:

ODP – Open Induction Motors – NEMA Premium Efficiency

Three-phase induction motor
 Frame 405T - IP23

28-SEP-2016



2E 16.000	J 3.950	A 19.950	P 17.874	AB 16.378
2F 12.250/13.750	K 5.440	B 17.700	BA 6.625	U 2.875
d1 DUNC 3/4"-10	N-W 7.250	ES 5.512	S 0.750	R 2.449
depth 0.750	D 10.000	G 1.968	O 19.409	T 2.800
H 0.810	C 34.133	AA NPT 3"		

1 2 3 4 5 6 7 8

A
B
C
D
E
F

LOW VOLTAGE

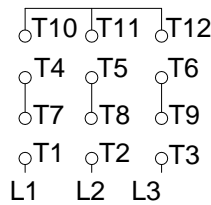
HIGH VOLTAGE



CONNECTIONS FOR STARTING ONLY:

LOW VOLTAGE

HIGH VOLTAGE



Notes: Downloaded from <http://dealerselectric.com>
Generated for Model #12518OT3E405T

Performed by:

Checked:

Customer:

ODP – Open Induction Motors – NEMA Premium Efficiency

Three-phase induction motor
Frame 405T - IP23

28-SEP-2016

